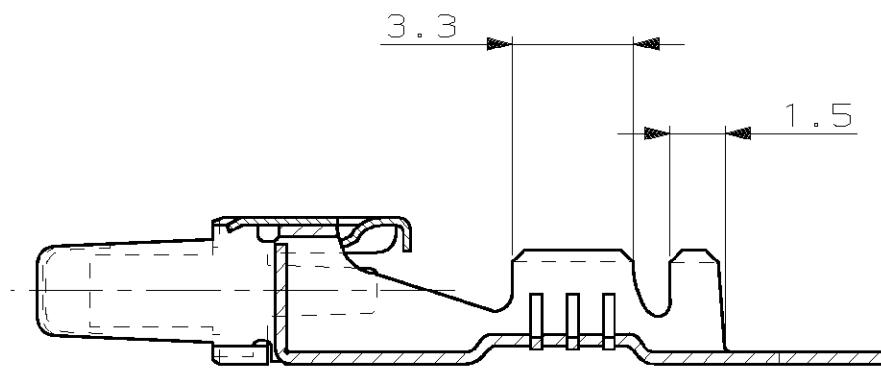
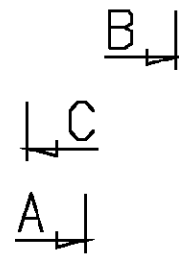


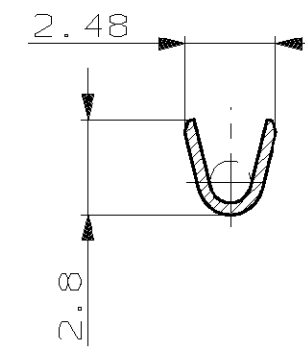
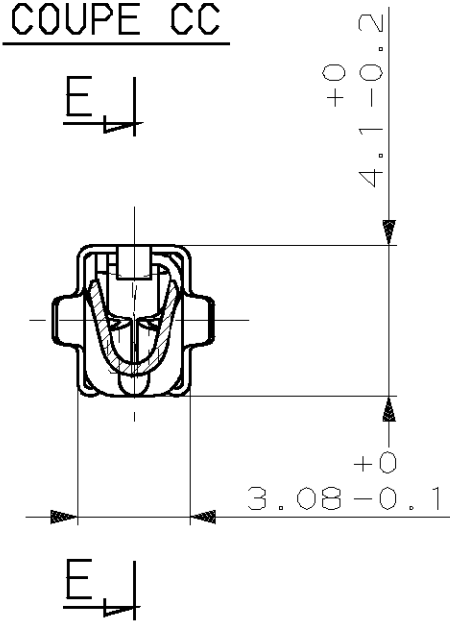
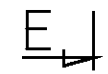
THIS DRAWING IS UNPUBLISHED.  
 DIFFUSION RESEINTE AMP  
 © COPYRIGHT BY -  
 RELEASED FOR PUBLICATION  
 ALL RIGHTS RESERVED.  
 TOUS DROITS RESERVES.

LOC		DIST		REVISIONS			
P	LTR REV	DESCRIPTION MODIFICATIONS	DATE	DWN DESS.	APVD APP.		
	B1	REVISED PER ECO-11-005150	13APR11	RK	HMR		

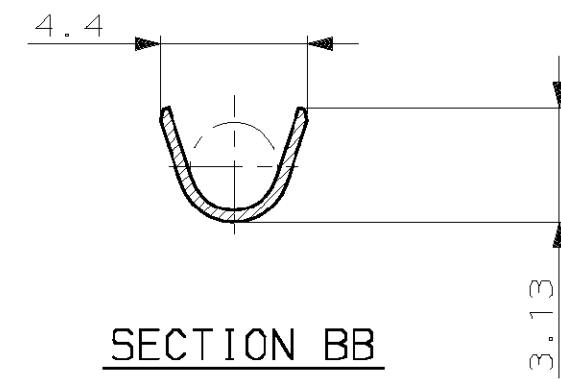
SECTION EE  
 COUPE EE



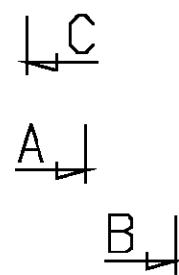
SECTION CC  
 COUPE CC



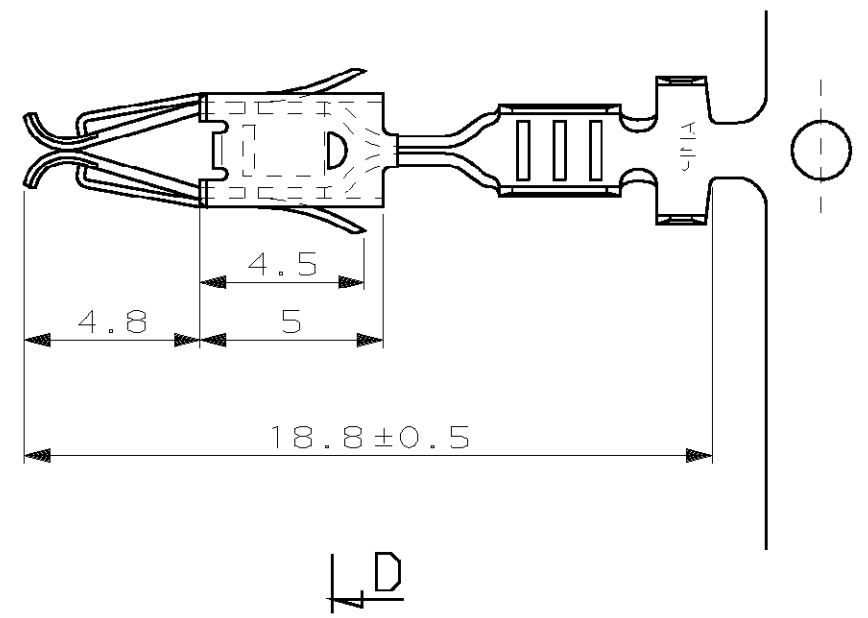
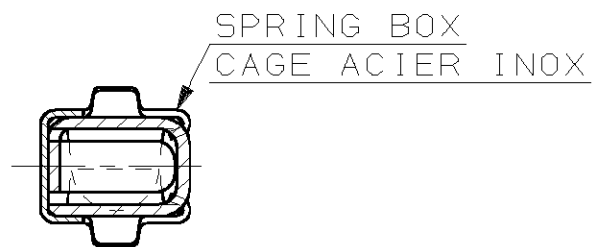
SECTION AA



SECTION BB

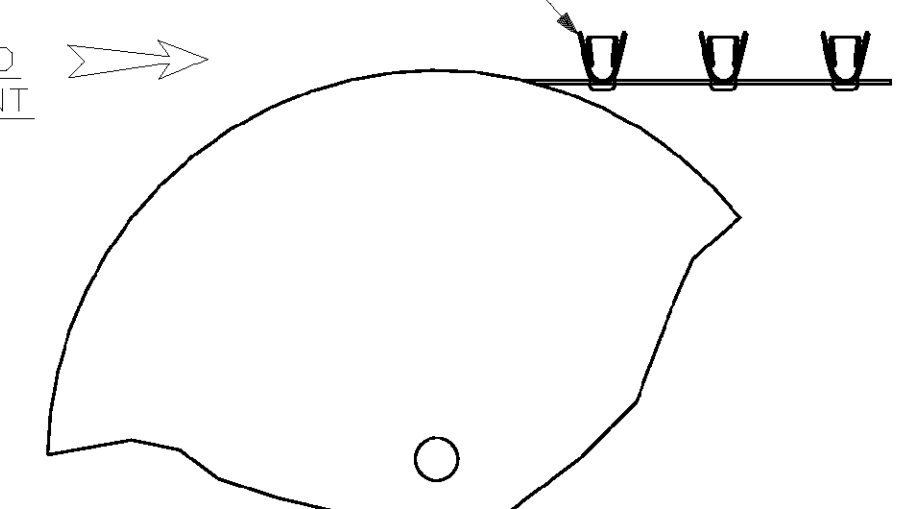


SECTION DD  
 COUPE DD



INSULATION BARREL  
 AILES DE FRETTAGE

END FEED  
 SENS DE DEROULEMENT



PRE-GOLD 0.4 µm mini SUR 1 µm mini NI.	CUSN4	-3
PRE-TIN 0.8 A 3.3 µm	CUSN4	144431-1
FINITION	MATERIAL	PART NUMBER

(B)

THIS DRAWING IS A CONTROLLED DOCUMENT. CE PLAN EST UN DOCUMENT CONTROLE.		DWN/DESSINE 27-SEP-00 Michel POLIFONTE	TE Connectivity	
DIMENSIONS: mm		CHK/VERIFIE 12-OCT-00 M. POLIFONTE	NAME TITRE	
TOLERANCES UNLESS OTHERWISE SPECIFIED. TOLERANCES NON SPECIFIEES (SUIV NB DE DECIMALES): 0-PLC/DEC ± 1-PLC/DEC ±0.2 2-PLC/DEC ± 3-PLC/DEC ± 4-PLC/DEC ± ANGLES ±5°		APVD/APPROUVE 12-OCT-00 J.J. REVIL	CONTACT JUNIOR POWER TIMER	
MATERIAL MATIERE VOIR TABLEAU		PRODUCT SPEC 108-15121	SIZE FORMAT A2	CAGE CODE 00779
FINISH FINITION VOIR TABLEAU		APPLICATION SPEC 114-15050	DRAWING NO TITRE C-144431	RESTRICTED TO -
		WEIGHT MASSE APPROX. -	UNIQUEMENT POUR REFERENCE	SCALE ECHELLE 5:1
		CUSTOMER DRAWING/PLAN CLIENT	SHEET FEUILLE 1 OF 1	REV B1

144431