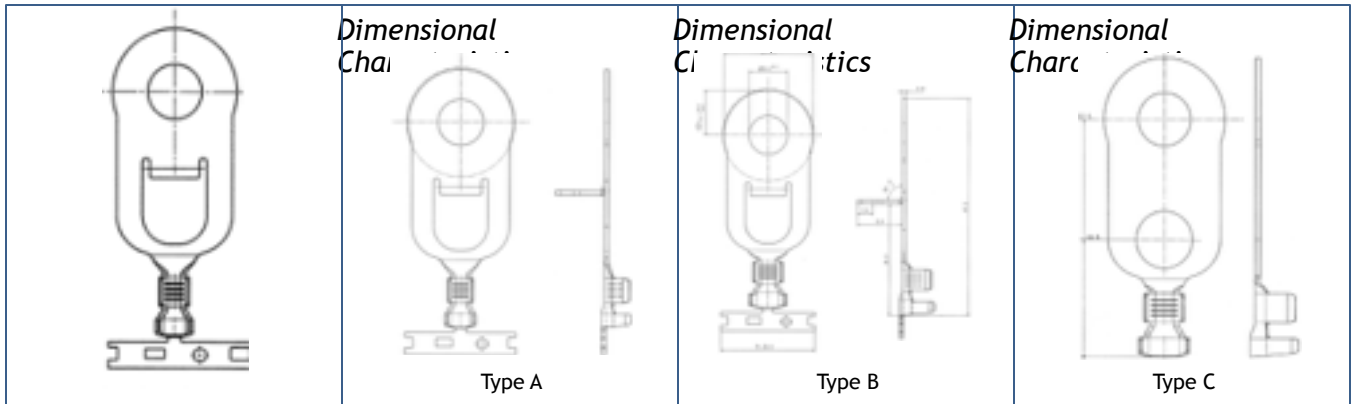
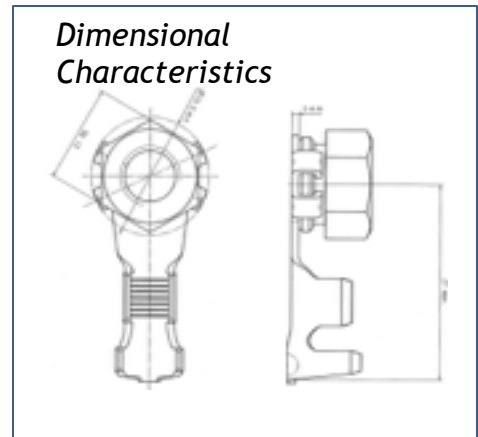
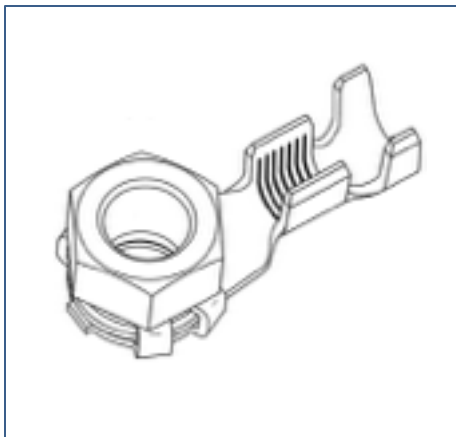


Ring Terminals



Part Number List-

Bolt Size	Lear T&C Part Number	Lear SEM Part Number	Wire Size Range (mm ²)	Dim D (mm)	Dim B (mm)	Dim L (mm)	Material Thickness (mm)	Material	Surface	Bended	Type
M8	28670000001	320151FQU	1.5-2.5	8.4	19.4	37.5	0.8	CuSn4	FrSn 3+3	0°	A
M8	28571201179	320151FL1	4.0-6.0	8.4	19.4	37.5	0.8	CuSn4	FrSn 3+3	0°	B
M8	28964000001	E06786400	4.0-6.0	8.4	19.4	37.5	0.8	CuSn4	FrSn 3+3	0°	C



Part Number List-

Bolt Size	Lear T&C Part Number	Lear SEM Part Number	Wire Size Range (mm ²)	Dim A (mm)	Dim B (mm)	Dim L (mm)	Material Thickness (mm)	Material	Surface	Bended	Torque (Nm)
M8	26306212179	320272917	6.0-10.0	8.3	15.5	27max	1.0	Bronze	Sn	0°	18
M8	26306331179	E02578500	6.0-10.0	8.3	15.5	27max	1.0	copper alloy	Sn	0°	18
M8	26606122009	E02578400	6.0-10.0	8.3	15.5	27max	1.0	Brass	Blank	0°	18
M8	26742122179	E02578200	6.0-10.0	8.3	15.5	27max	1.0	Brass	Sn	0°	18