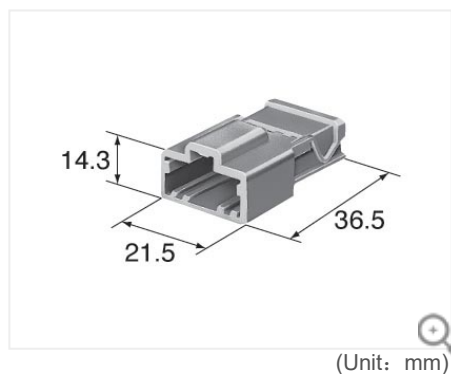


Product information



3D drawings

[Contact us for products](#)

6098-0244

This is old series

HD series

Housing Inline

2.3mm(090)

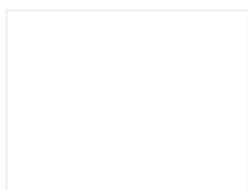
| | |
|-----------------|------------------------------|
| Sealed/Unsealed | unsealed |
| Male/Female | M |
| Way | 4 |
| Mating parts | <u>6098-0243</u> (HD series) |

| | |
|-----------|------------|
| Materials | PBT |
| Color | Light Gray |

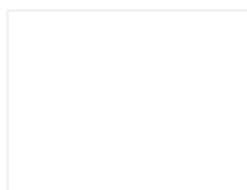
| | | |
|-----------------------|------------------------|-----------|
| Contact resistance | Initial | 3mΩ Max. |
| | after durability tests | 10mΩ Max. |
| Leak current | 3mA Max. | |
| Insulation resistance | 100MΩ Min. | |

HD series related products

Terminal (2)



2.3mm 8230-4272



2.3mm 8230-4282