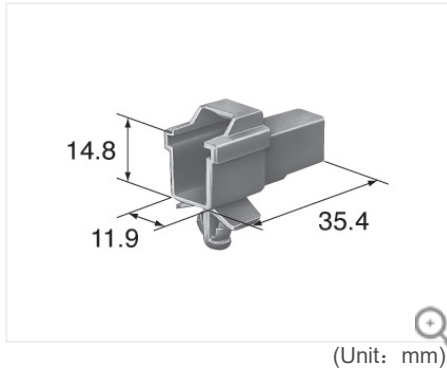


## Product information



[Contact us for products](#)

# 6090-1123

**This is old series**

HM series

Housing Inline

2.3mm(090)

Sealed/Unsealed	unsealed
Male/Female	M
Way	4
Mating parts	<u>6090-1011</u> (HM series)

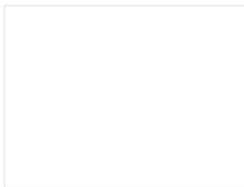
Materials	66 Nylon
Color	Natural

Contact resistance	Initial	3mΩ Max.
	after durability tests	10mΩ Max.
Leak current	3mA Max.	
Insulation resistance	100MΩ Min.	

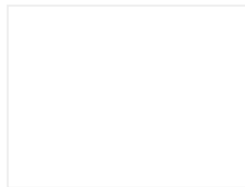
Plate thickness range for clamp	t=0.7-2.2mm
Clamp	With clamp for 7mm die.

## HM series related products

Terminal (2)



2.3mm 8230-4272



2.3mm 8230-4282