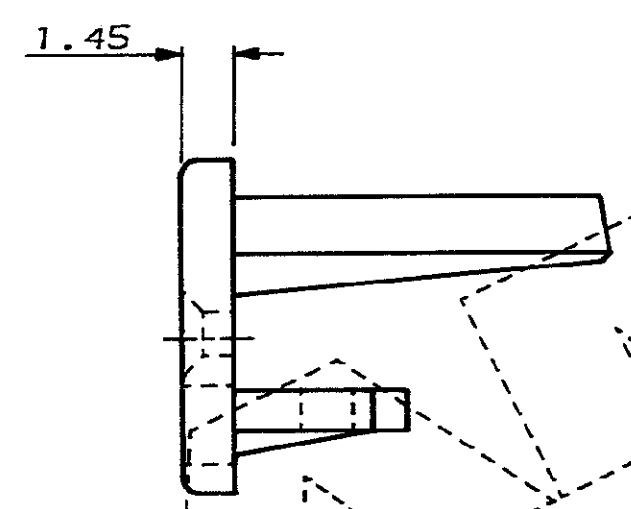
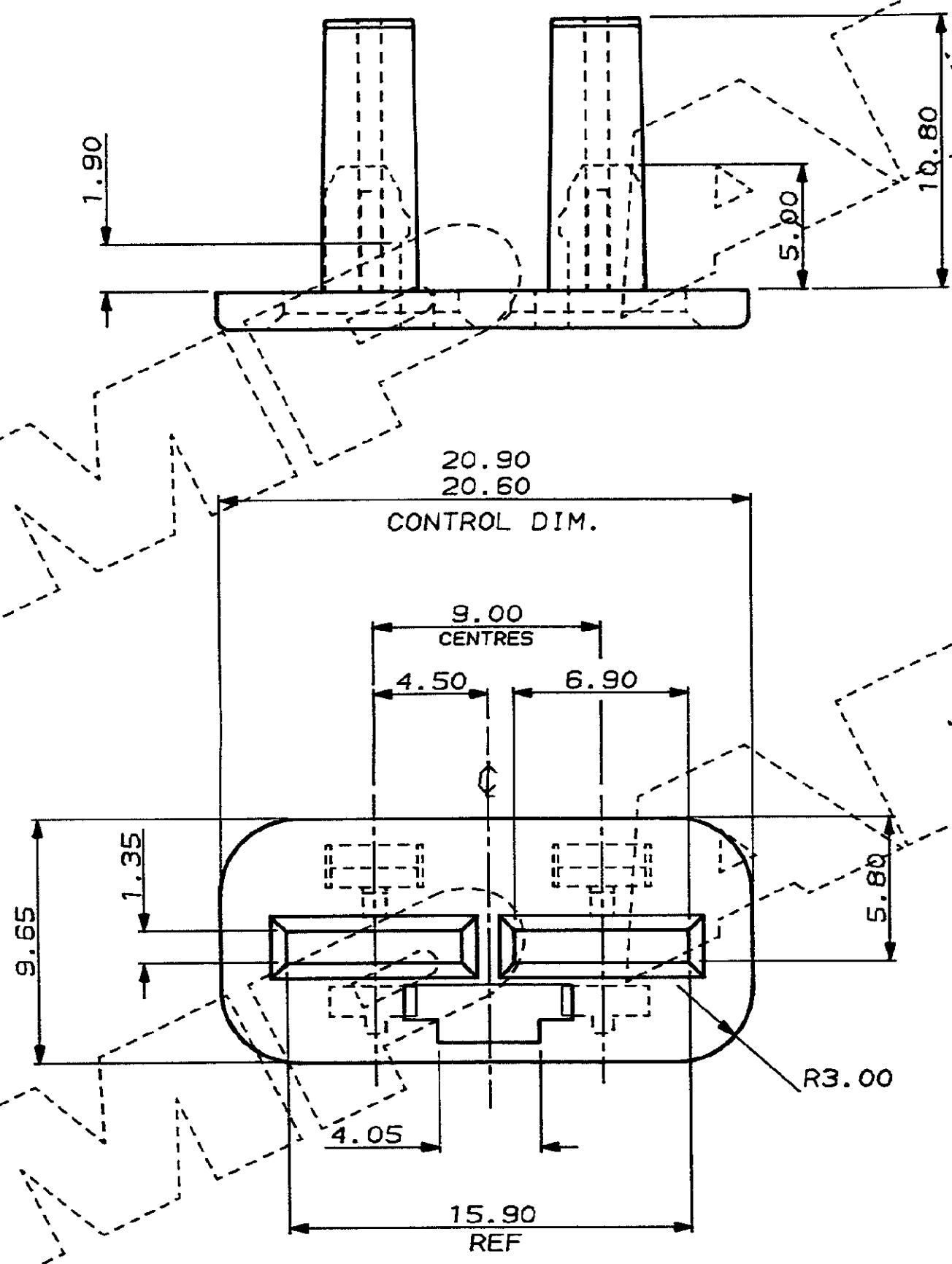
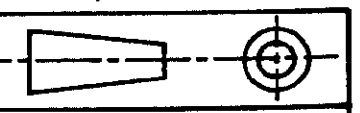


C.A.D. FILE CODE
S.C344089.B

DO NOT SCALE DIMENSIONS IN MM.



WHITE		NYLON 6.6		344089-1	
FINISH		MATERIAL		PART NUMBER	
CUSTOMER DWG FOR REFERENCE ONLY		© COPYRIGHT 1987 BY AMP OF GREAT BRITAIN LTD. ALL INTERNATIONAL RIGHTS RESERVED. ALL PRODUCTS MAY BE COVERED BY BRITISH AND FOREIGN PATENTS AND/OR PATENTS PENDING.		RELEASED FOR PUBLICATION 2.6.87	
-		TOLERANCES UNLESS OTHERWISE STATED :		DR. R. J. S. 2.6.87	
-		DEC ± 0.5		CH. R. S. 2.6.87 APP. B. J. 2.6.87	
-		ANGLES ± 1°		AMP of Great Britain Ltd. TERMINAL HOUSE STANMORE MIDDX.	
B UPDATED		CS241 12.6.88		NAME A/BACK FOR 2 WAY REC. HSG. ECONOSEAL 3 HIGH CURRENT	
A UPDATED		C4888 12.7.88		SCALE LOG SIZE DWG.No.	
O REL. FOR PROD.		C4891 8/3/88		5/1 E A2 C344089	
REV APPROVED		ECN DATE		REV SHEET B 1/1	