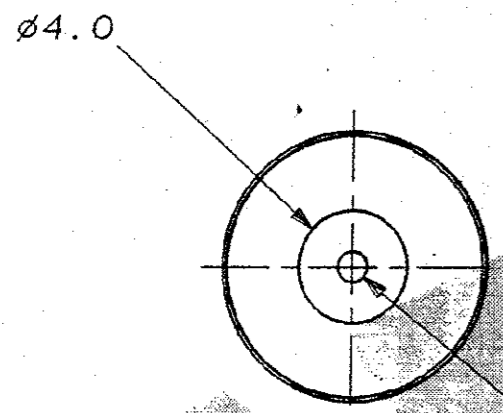
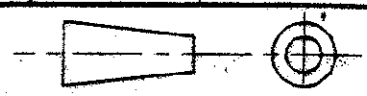
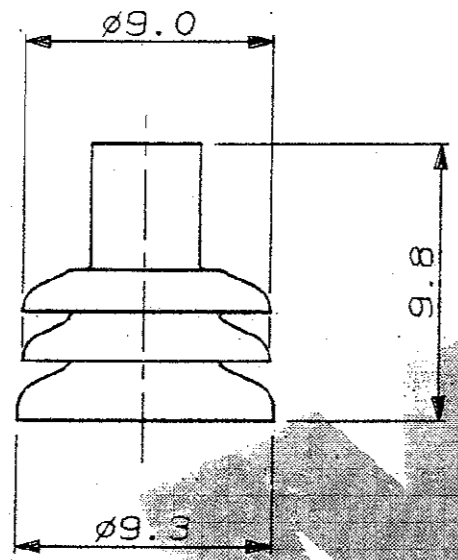
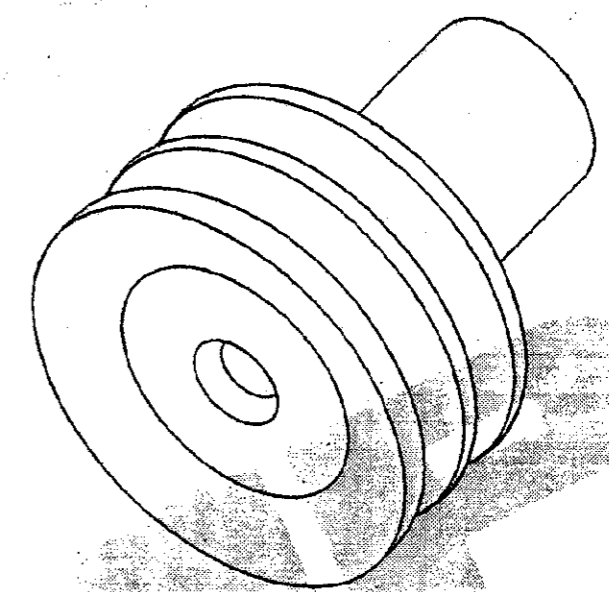


C.A.D. FILE CODE
S. C347707.A


DO NOT SCALE DIMENSIONS IN MM.



BORE (SEE NOTE ①)



① THIS SEAL IS SUITABLE FOR 0.5 TO 1.5 mm² WIRE WITH INSULATION DIAMETER OF 1.6 TO 2.4 mm.

ORANGE SELF-LUBRICATING SILICONE RUBBER		347707-1	
FINISH	MATERIAL	PART NUMBER	
CUSTOMER DWG FOR REFERENCE ONLY		RELEASED FOR PUBLICATION 17 SEP 1993	
TOLERANCES UNLESS OTHERWISE STATED: DEC ± 0.5 ANGLES ± 1°		DR. R.J.S.	17.9.93
NAME		CH. K.W.	APP. J.P.
A RELEASED E800-0091-01 14.03.01		 TERMINAL HOUSE STANMORE MIDDX.	
1' PRELIM. ISSUE E800-0091-93 17.9.93	SCALE 4/1	LOC E	SHEET 1/1
REV MODIFICATION CHANGE No. DATE	SIZE A3	DWG.No. C347707	REV A