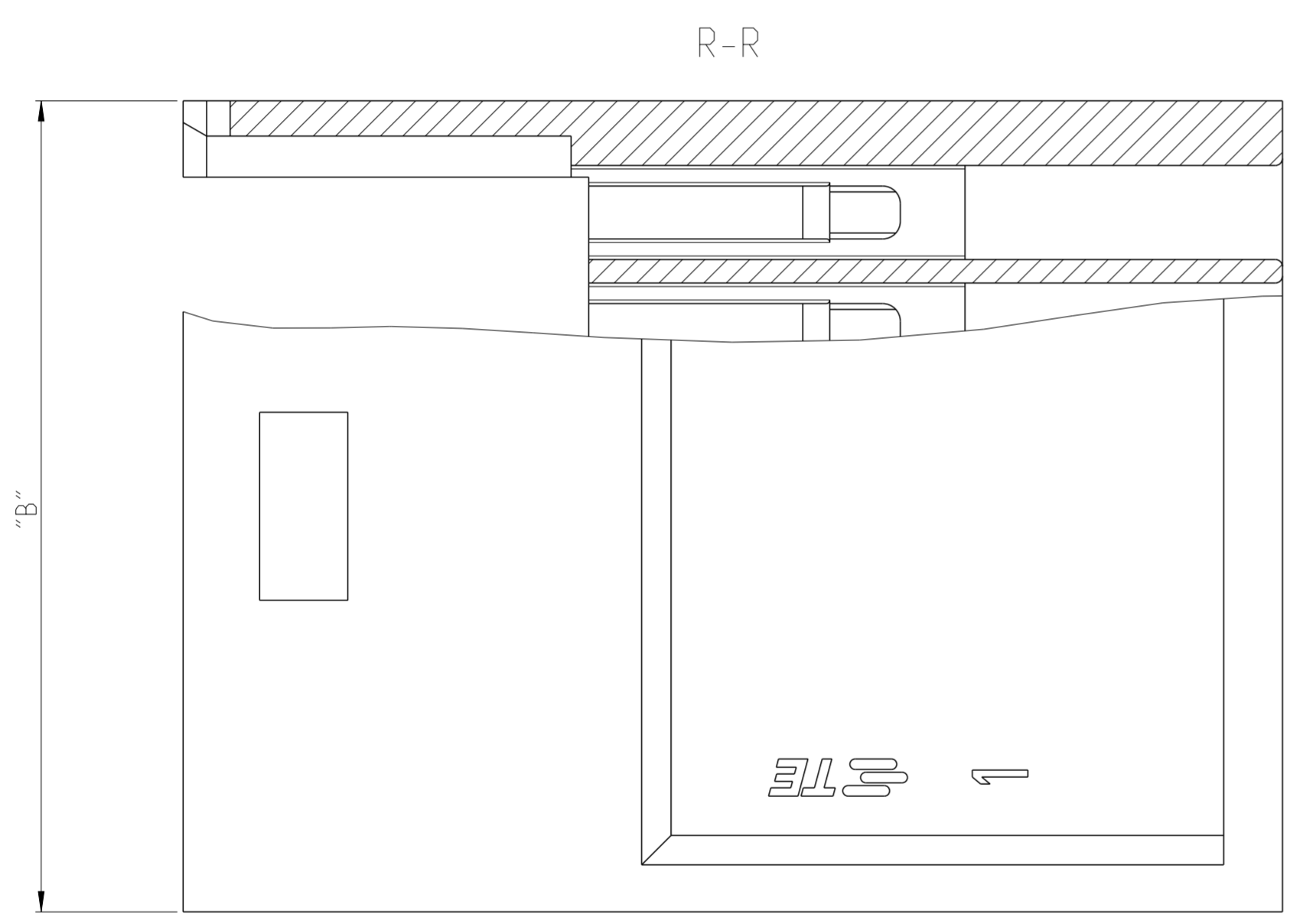
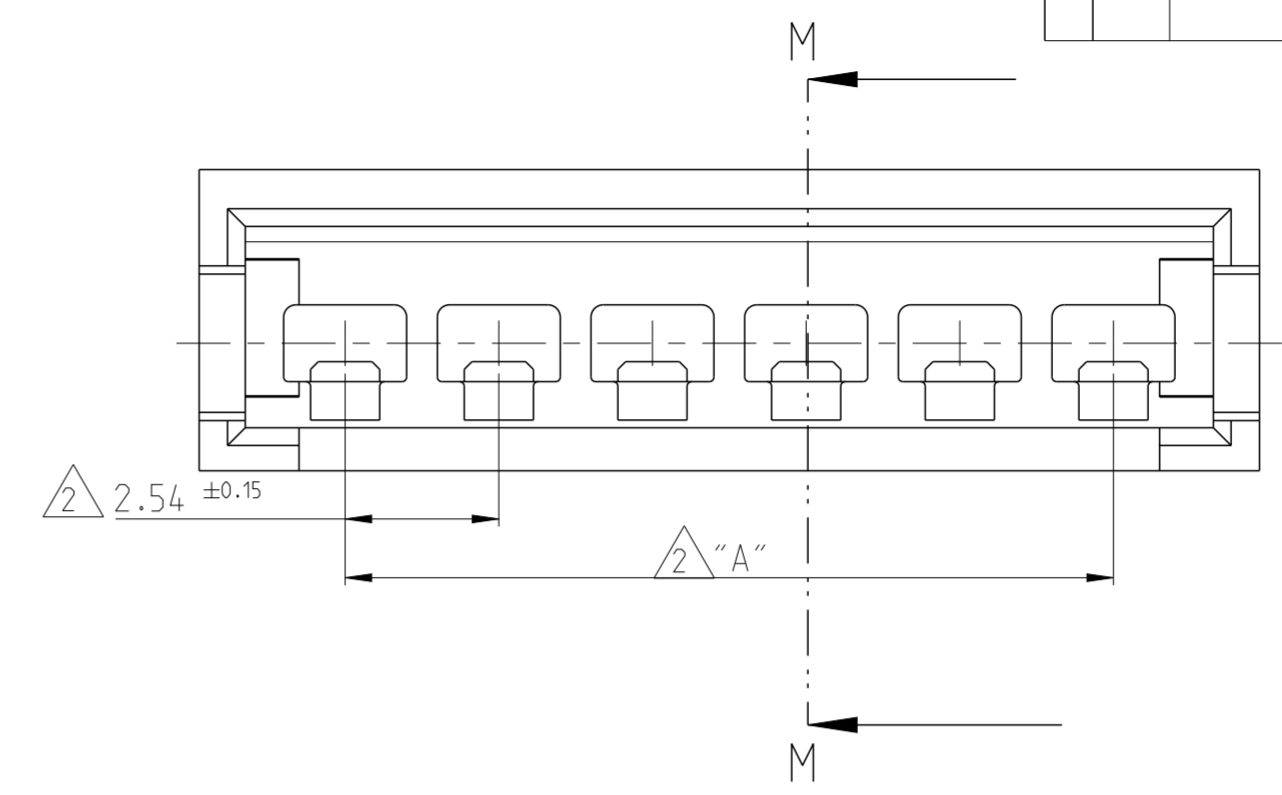
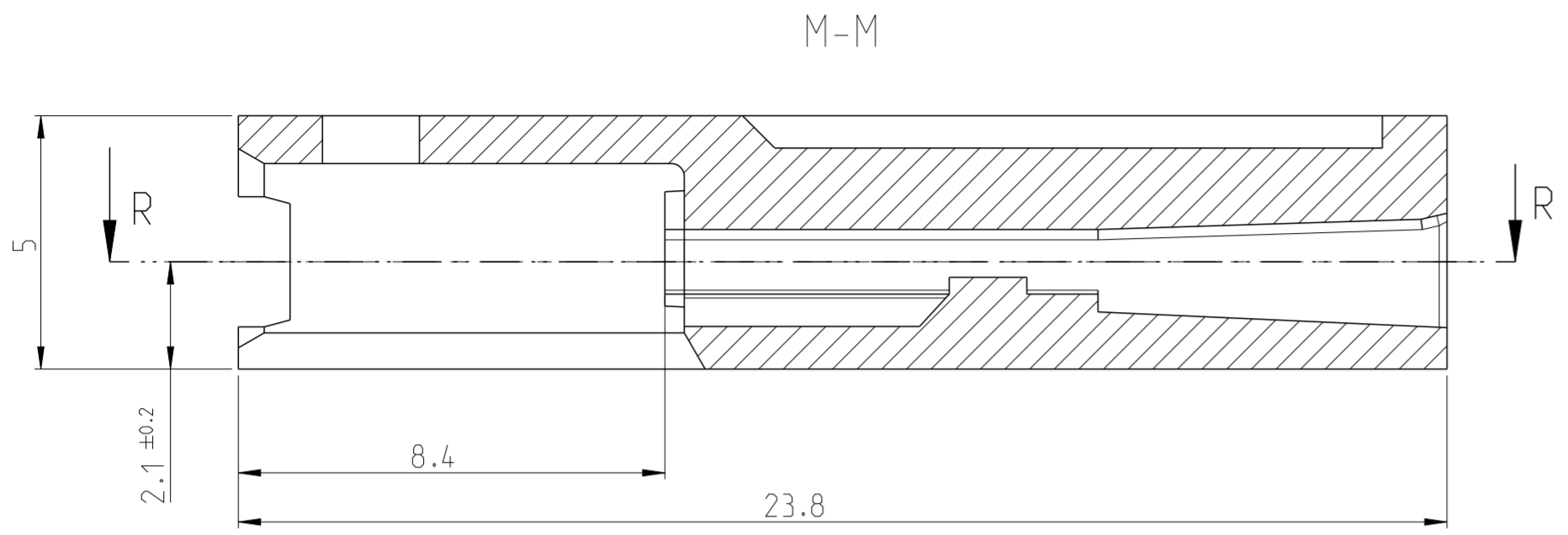


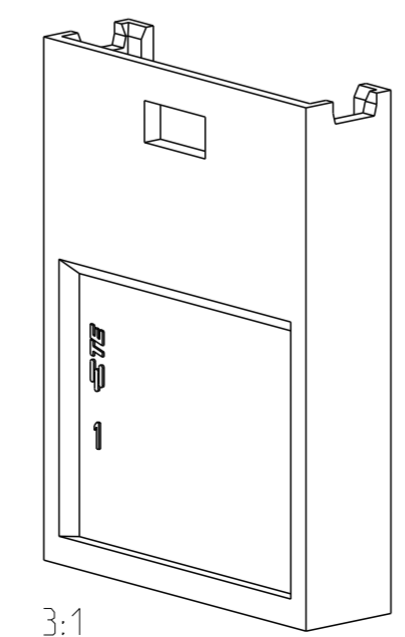
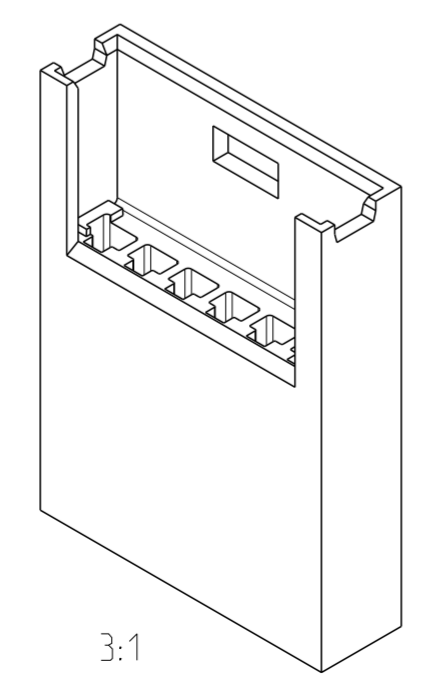
THIS DRAWING IS UNPUBLISHED. RELEASED FOR PUBLICATION 20
 © COPYRIGHT 20 BY - ALL RIGHTS RESERVED.

REVISIONS				
P	LTR	DESCRIPTION	DATE	APVD
	J	MATERIAL CHANGE TO LCP	16OCT2018	KJK PS



- NOTES:
- ① LCP, BLACK, UL94V-0
 - ② TOLERANCE NOT CUMULATIVE
 - ③ PA6.6 15% GF, RED
 - ④ OBSOLETE

④	④	④	④	④	③
4	284072-1	7.62	12.5		
4	284071-1	2.54	7.4		
4	280636	53.54	58.2		
	15	280635	35.56	40.4	
	12	280634	27.94	32.8	
	10	280633	22.86	27.7	
④	9	280632	20.32	25.1	①
	8	280631	17.78	22.6	
	6	280630	12.70	17.5	
	4	280629	7.62	12.5	
	2	280628	2.54	7.4	
④	NUM OF POS	PART NUMBER	DIM "A"	DIM "B"	MATERIAL



THIS DRAWING IS A CONTROLLED DOCUMENT.

DWN KARTHIK J K 15OCT2018	 TE Connectivity	NAME AMPMODU II PIN HOUSING SINGLE ROW, CRIMP SNAP-IN
CHK SHARATH S 16OCT2018		SIZE A2
APVD PRASHANTH S 16OCT2018		CAGE CODE 100779
PRODUCT SPEC 108-20025		DRAWING NO C-280628
MATERIAL -	WEIGHT -	RESTRICTED TO -
CUSTOMER DRAWING		SCALE 8:1 SHEET 1 OF 1 REV J