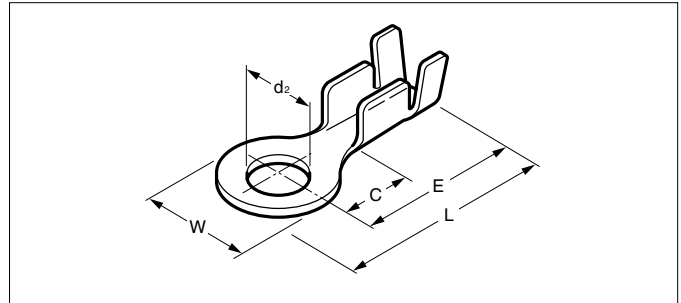


RING TONGUE TERMINAL

With insulation grip



UL Listed E42024

SP Certified LR20812

Model No.	Standard	Applicable wire			Material	Finish	Dimensions(mm)					Q'ty / reel	
		mm ²	AWG #	Insulation O.D. (mm)			d ₂ (dia.)	E	L	C	W		Material thickness
SRA-01T-3.2	UL SP	0.2 to 0.5	24 to 20	1.5 to 2.7	Brass	—	3.2	13.4	16.9	7.2	7.0	0.32	10,000
SRA-21-3	—												
SRA-21T-3	—	0.3 to 0.75	22 to 18	1.5 to 2.8	Brass	Tin-plated	3.7	13.0	16.8	5.8	7.5	0.5	7,500
SRA-21-3.7	—												
SRA-21T-3.7	UL SP												
SRA-21-4	—												
SRA-21T-4	—												
SRA-21-H5	—												
SRA-21T-H5	—	0.5 to 2.0	20 to 14	2.6 to 3.8	Brass	Tin-plated	5.1	13.0	16.8	5.8	7.5	0.5	7,500
SRA-51-3	—												
SRA-51T-3	—												
SRA-51-3.7	—												
SRA-51T-3.7	UL SP												
SRA-51-4	—												
SRA-51T-4	—	0.5 to 2.0	20 to 14	2.6 to 3.8	Brass	Tin-plated	4.3	13.0	16.8	5.8	7.5	0.5	7,500
SRA-51-4	—												
SRA-51-H5	—												
SRA-51T-H5	—												
SRB-51-3	—												
SRB-51T-3	—					0.5 to 2.0							
SRB-51-3	—												
SRB-51-3.7	—												
SRB-51T-3.7	—												
SRB-51-4	UL SP												
SRB-51T-4	—												
SRB-51-H5	—	0.2 to 0.3	24 to 22	1.3 to 1.7	Brass	—	2.5	7.0	9.3	2.9	4.6	0.32	15,000
SRB-51T-H5	—												
SRB-51-5	—	0.5 to 2.0	20 to 14	2.6 to 3.8	Brass	Tin-plated	3.2	13.5	16.8	6.7	6.5	0.5	7,500
SRB-51T-5	—												
SRC-01-2.5	UL SP												
SRC-01T-2.5	—												
SRC-51-M3	—												
SRC-51T-M3	—												
SRC-51-M3.5	UL SP												
SRC-51T-M3.5	—	0.5 to 2.0	20 to 14	2.6 to 3.8	Brass	Tin-plated	4.3	11.5	15.3	4.8	7.5	0.5	7,500
SRC-51-M4	—												
SRC-51T-M4	—	0.5 to 2.0	20 to 14	2.6 to 3.8	Brass	—	3.2	11.5	15.3	4.8	7.5	0.5	7,500
SRF-51-3	—												
SRF-51T-3	—												
SRF-51-3.7	—												
SRF-51T-3.7	UL SP												
SRF-51-4	—												
SRF-51T-4	—												
SRF-51-H5	—												
SRF-51T-H5	—												

RoHS compliance