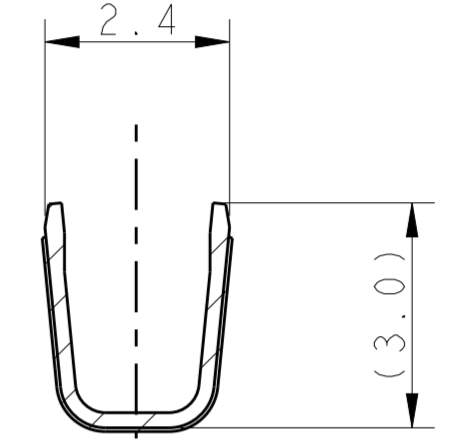
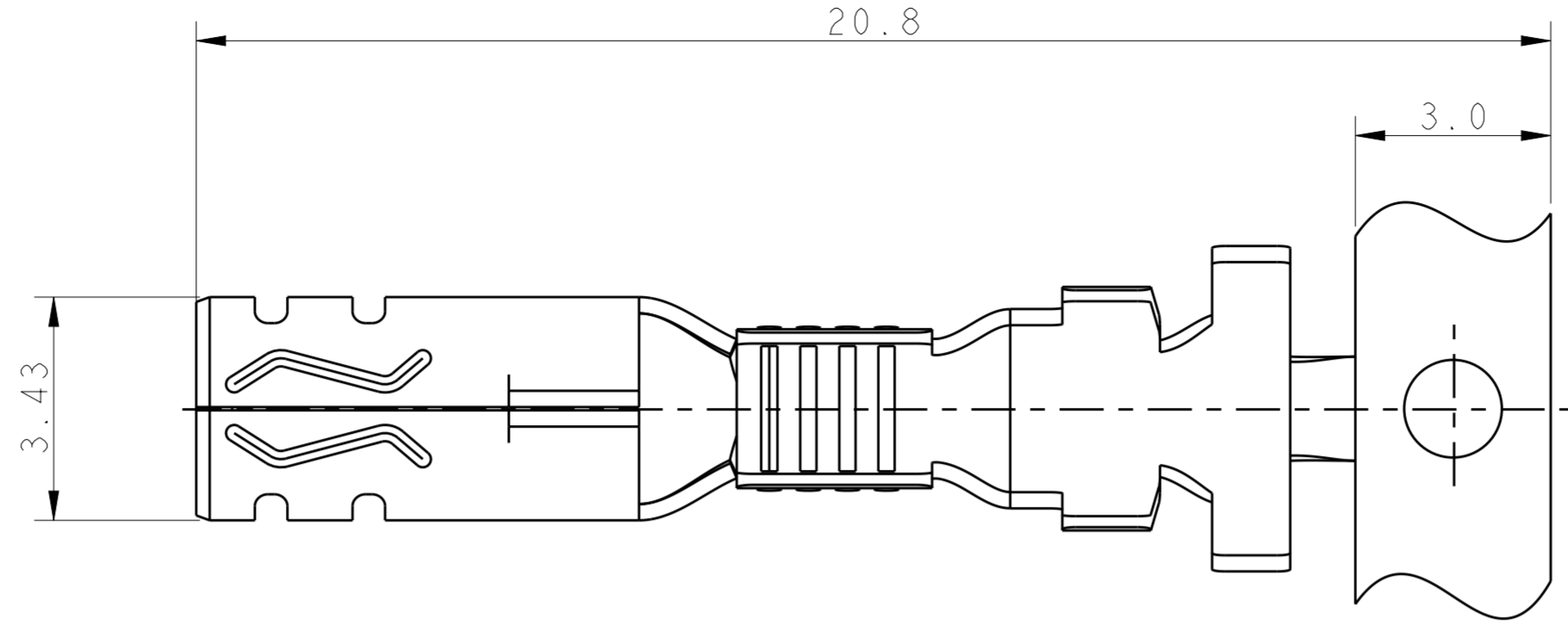


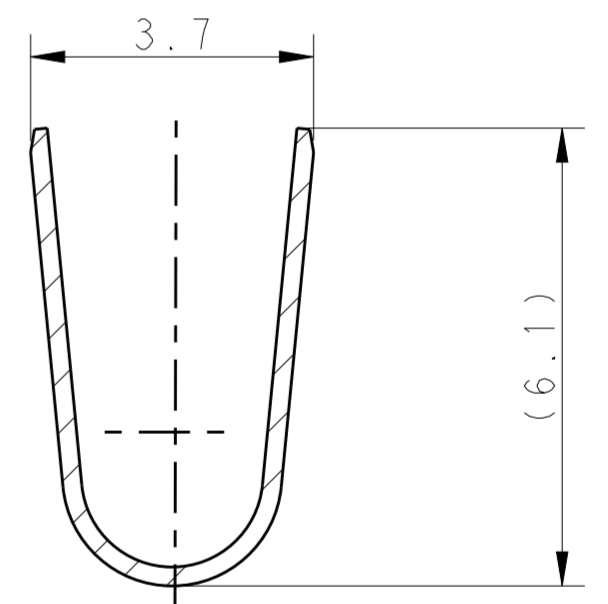
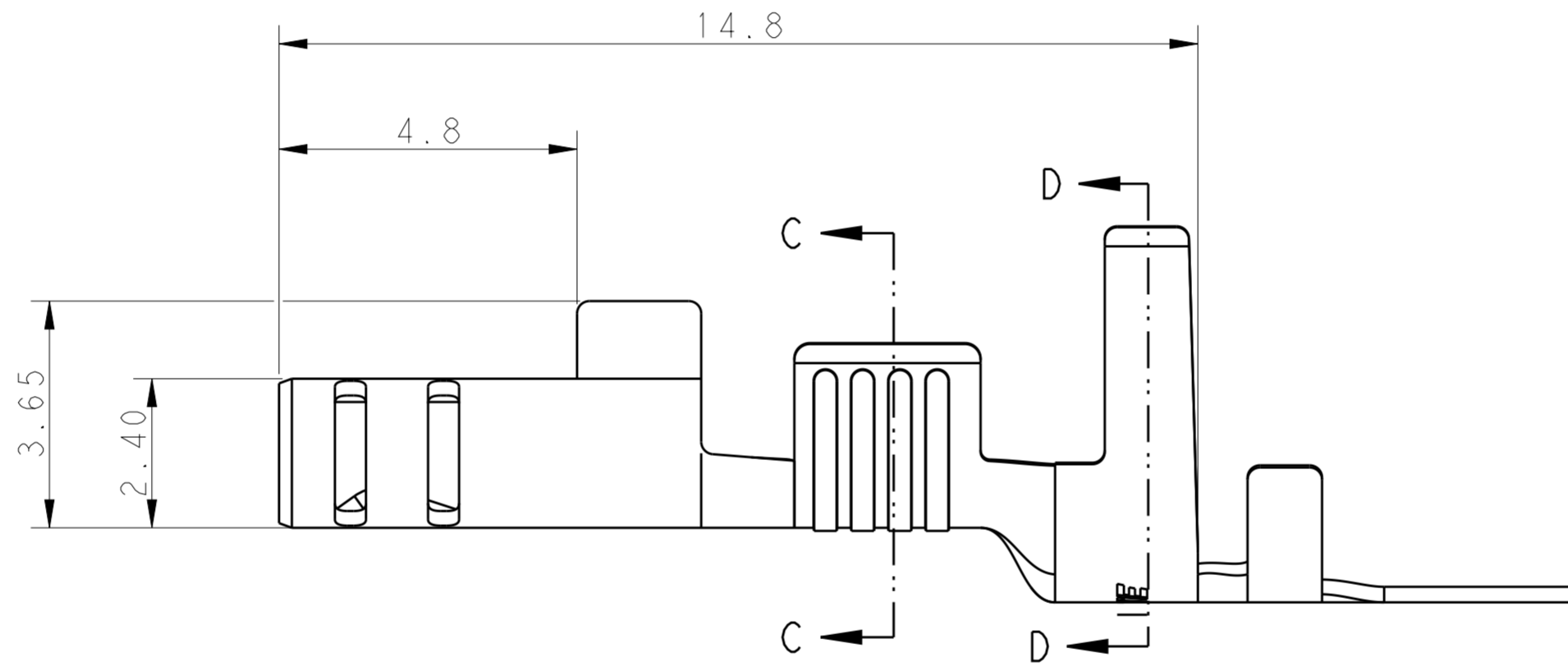
THIS DRAWING IS UNPUBLISHED. RELEASED FOR PUBLICATION 20  
 © COPYRIGHT 20 BY - ALL RIGHTS RESERVED.

LOC ES DIST 00

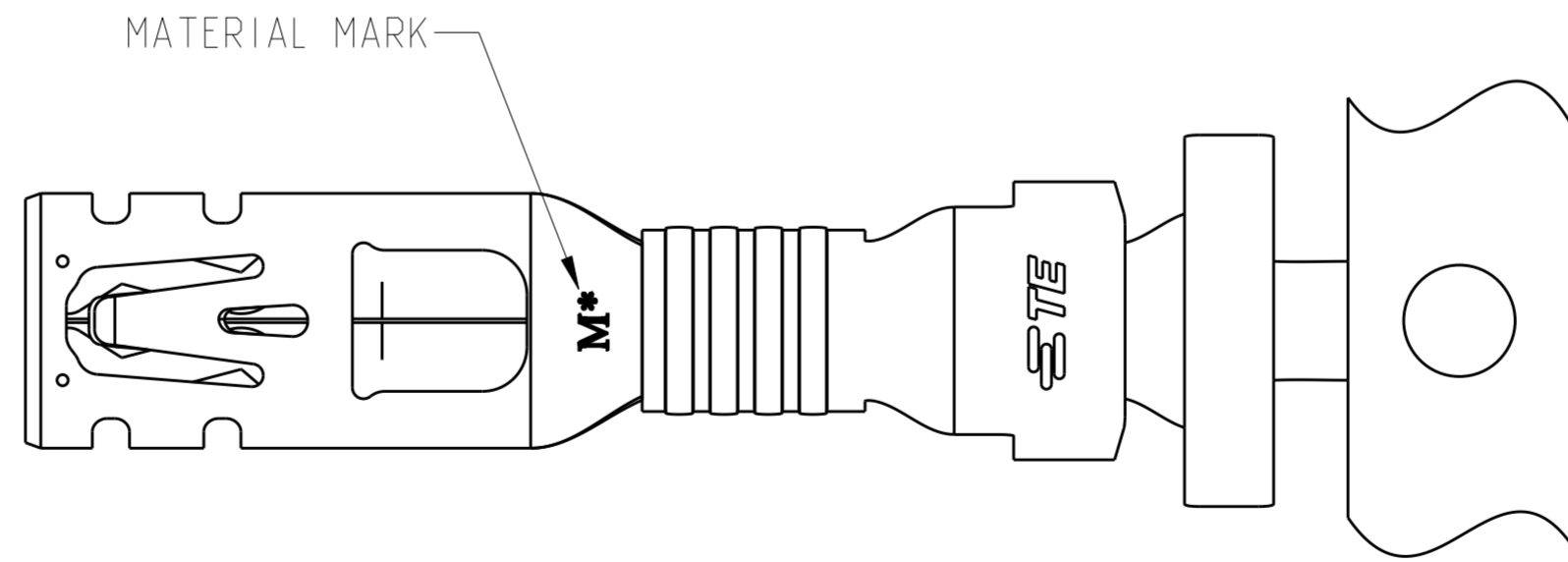
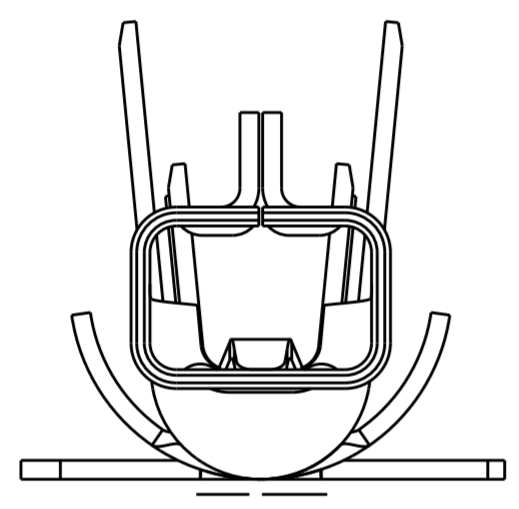
REVISIONS				
P	LTR	DESCRIPTION	DATE	APVD
A1		REVISED PER ECR-13-020010	30DEC2013	KH GJ



SECTION C-C



SECTION D-D



NOTE:

1. MATERIAL: COPPER ALLOY, PRE TIN PLATING
2. PRODUCT SPEC: 108-106118
3. APPLICATION SPEC: 114-106118
4. APPLICABLE MATED PLUG HOUSING P/N:  
 \*-1971773-\*/\*-1971776-\*/\*-1971876-\*/  
 /\*-2232265-\*//\*-2232266-\*//\*-2232357-\*
5. APPLICABLE WIRE RANGE: 2X20AWG COPPER
6. APPLICABLE INSULATION DIAMETER: 2.40~2.70mm

1. This product has not completed validation testing.

HIGH(150°C)	M0	1971237-2
STANDARD(105°C)	M4	1971237-1
TEMP. RATING	MATERIAL MARK	PART NO

THIS DRAWING IS A CONTROLLED DOCUMENT.		DWN TOMMY WU 9AUG2012	<b>STE</b> TE Connectivity	
		CHK HAPYE WU 9AUG2012		
		APVD YUHHONG MAO 9AUG2012	NAME	
DIMENSIONS: mm		PRODUCT SPEC 108-106118	RECEPTACLE CONTACT POWER TRIPLE LOCK	
TOLERANCES UNLESS OTHERWISE SPECIFIED:		APPLICATION SPEC 114-106118	SIZE CAGE CODE DRAWING NO RESTRICTED TO	
0 PLC ±		WEIGHT -	A200779 C-1971237	
1 PLC ±0.5		Customer Drawing	SCALE - SHEET 1 OF 1 REV A1	
2 PLC ±0.30				
3 PLC ±				
4 PLC ±				
ANGLES ±				
FINISH				