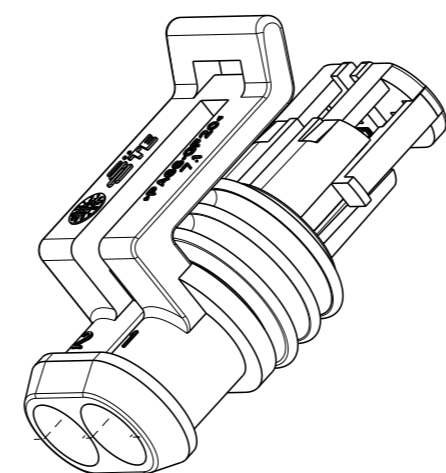
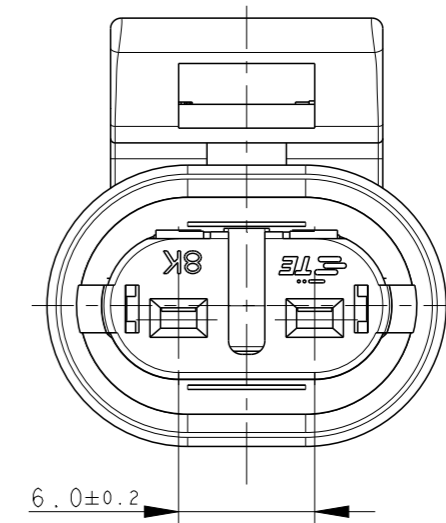
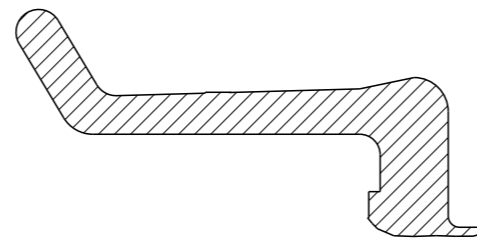
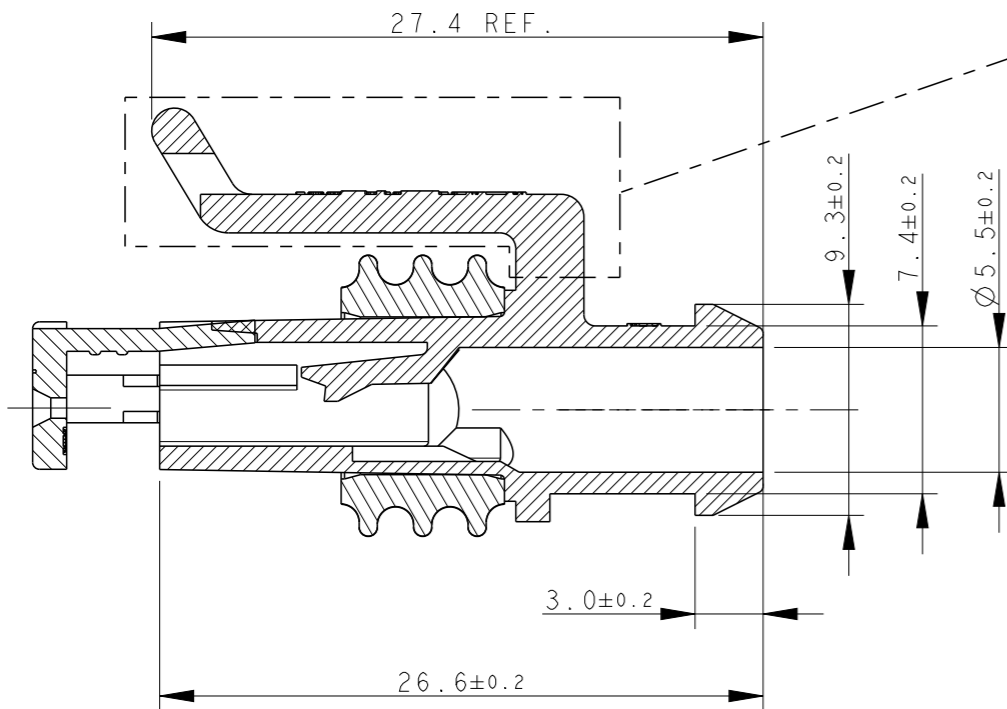


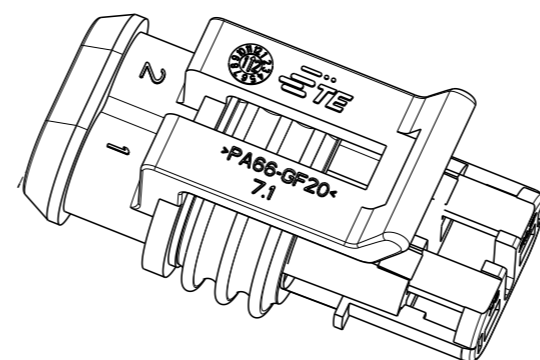
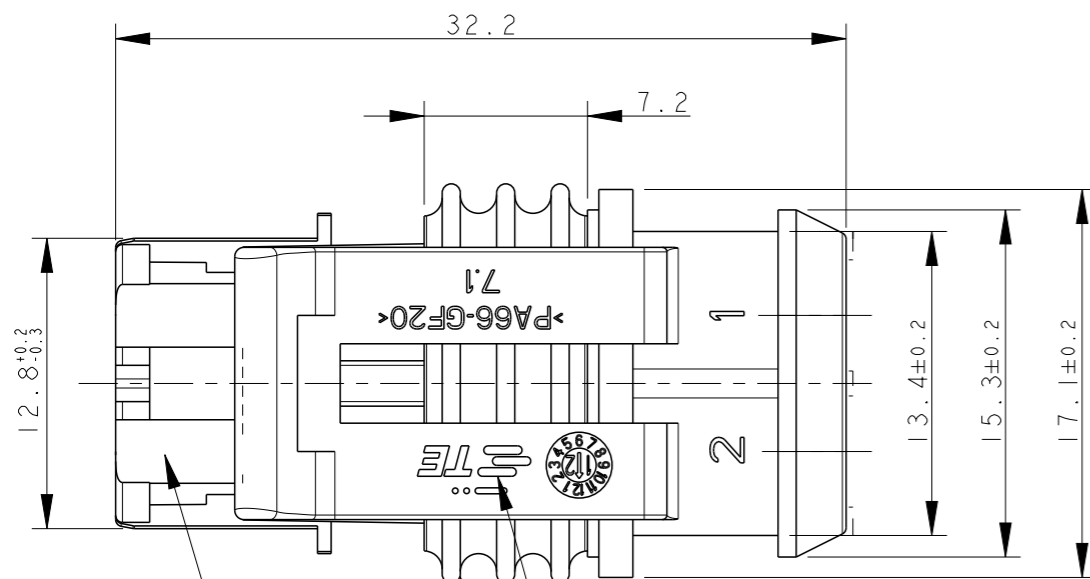
REVISIONS

P	LTR	DESCRIPTION	DATE	DWN	APVD
	D	ECR-14-009314	24MAR2015	M.P.	M.G.

ALTERNATIVE DESIGN OF LOCKING LANCE



1) FOR COUNTERPART DETAILS, SEE SHEET 2 OF 2



FINISH/COLOR	MATERIAL	PART NUMBER
BROWN	PA66-GF	282080-4
GREEN		282080-3
GRAY		282080-2
BLACK		282080-1

TE CONNECTIVITY TRADE MARK, (IN ALTERNATIVE: "AMP" LOGO, OR "Tyco Electronics" LOGO)

SEALING (SILICONE RUBBER)

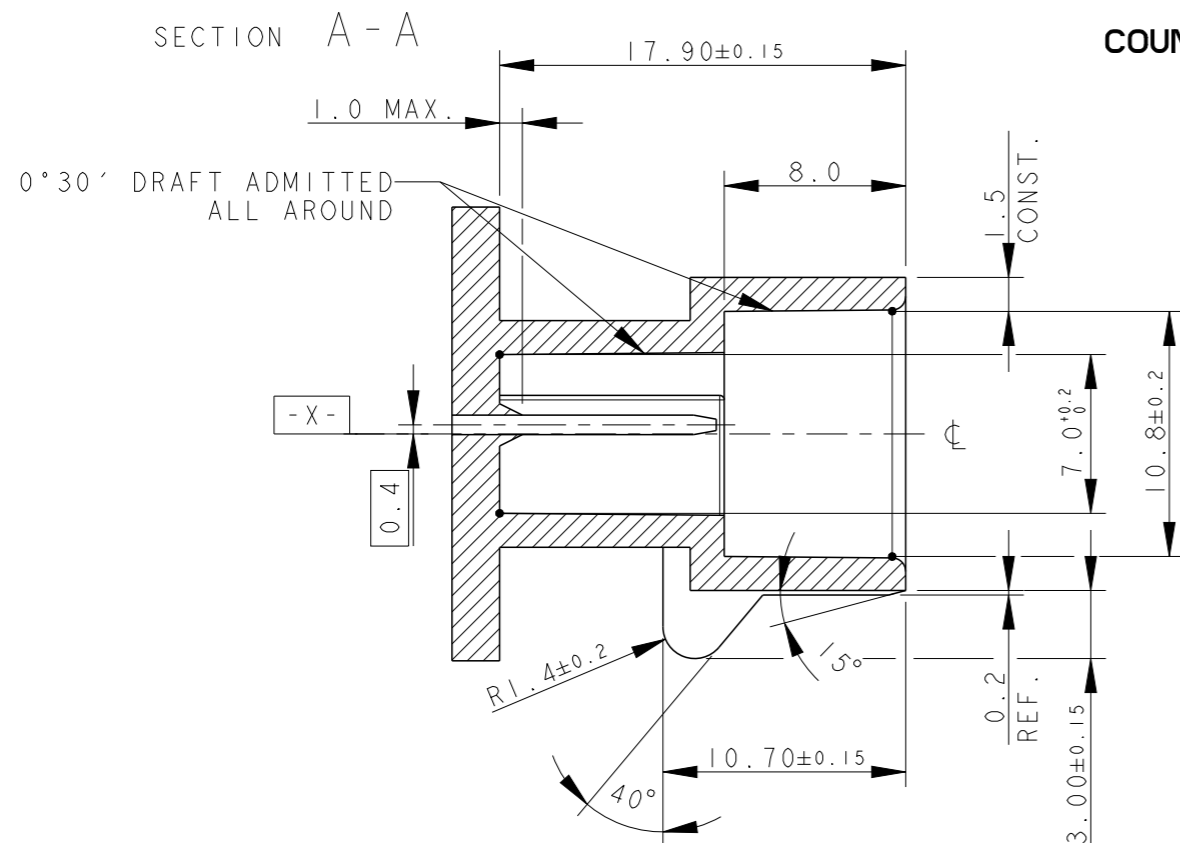
PRE-ASSEMBLED SECONDARY LOCK (RED COLOR)

THIS DRAWING IS A CONTROLLED DOCUMENT.		DWN C. BERTINI 05-1992	TE Connectivity		
DIMENSIONS: mm		CHK A. BRUNI 05-1992			
TOLERANCES UNLESS OTHERWISE SPECIFIED:		APVD -	NAME -		
0 PLC ± 1 PLC ±0.3 2 PLC ± 3 PLC ± 4 PLC ± ANGLES ±2°		PRODUCT SPEC 108-20090	AMP SUPERSEAL 1.5 SRS. 2 POSITIONS PLUG ASS'Y		
MATERIAL SEE TABLE (VEDI TABELLA)		APPLICATION SPEC 412-20000	SIZE A3	CAGE CODE 00779	DRAWING NO C-282080
FINISH SEE TABLE (VEDI TABELLA)		WEIGHT 2.60gr	RESTRICTED TO -		
CUSTOMER DRAWING		SCALE 3:1	SHEET 1 OF 2	REV D	

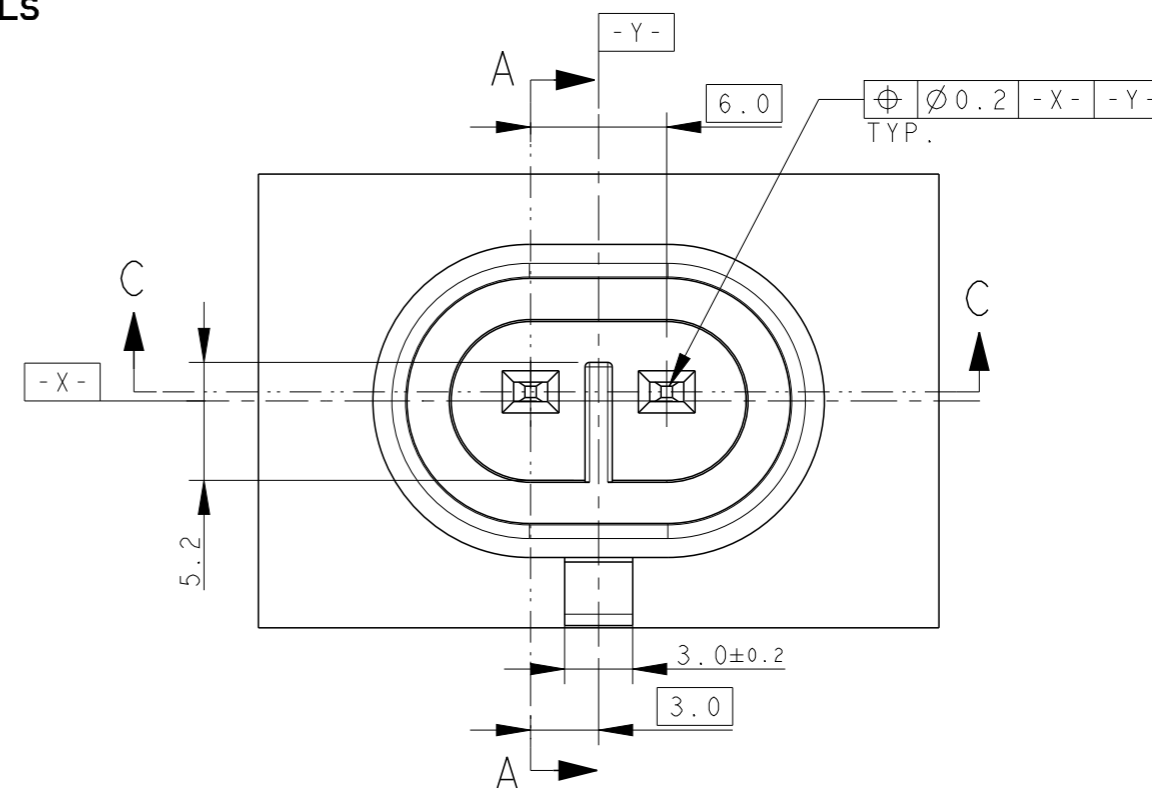
REVISIONS

P	LTR	DESCRIPTION	DATE	DWN	APVD
-	-	SEE SHEET 1	-	-	-

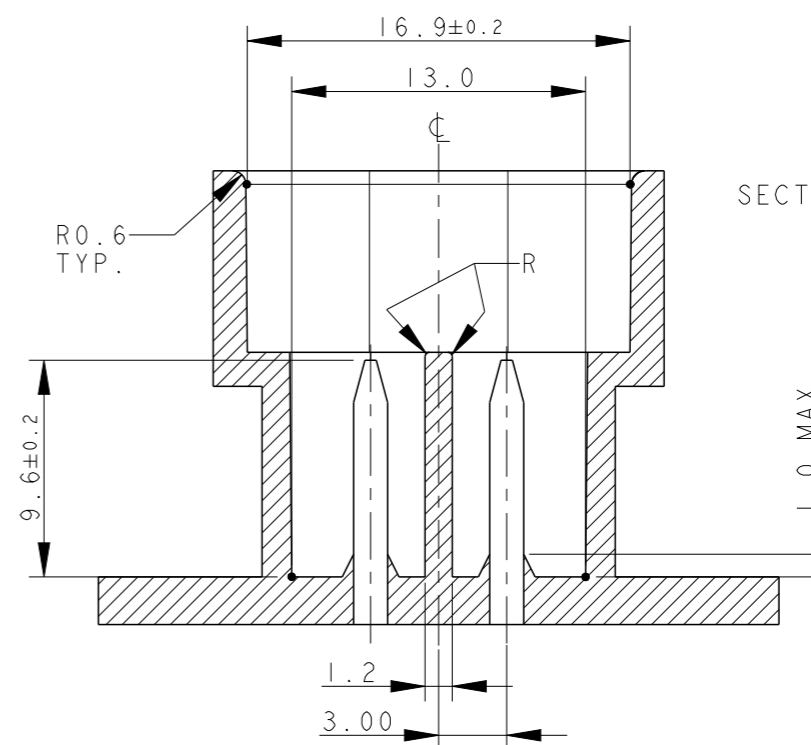
SECTION A - A



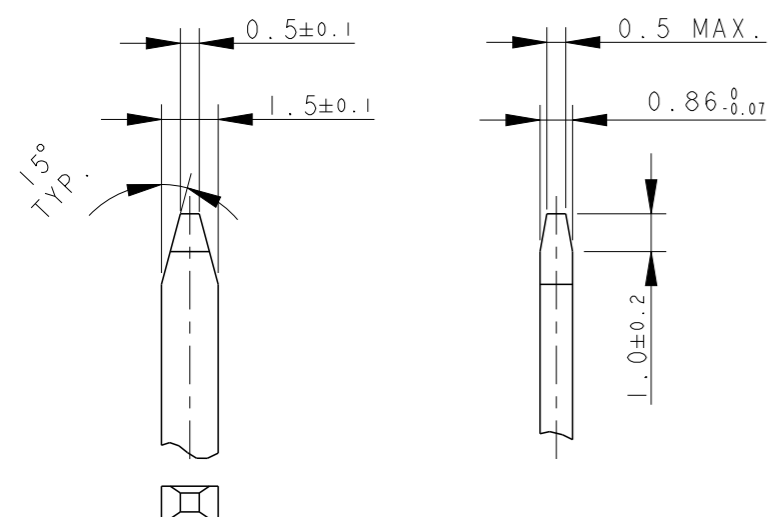
COUNTERPART DETAILS



SECTION C - C



TAB DETAILS



MATERIALS: PA66-GF FOR HOUSING  
TIN PLATED BRASS FOR TABS

THIS DRAWING IS A CONTROLLED DOCUMENT.

DWN C. BERTINI 05-1992

CHK A. BRUNI 05-1992

APVD -

NAME

DIMENSIONS:

mm

TOLERANCES UNLESS OTHERWISE SPECIFIED:

- 0 PLC ±
- 1 PLC ±0.3
- 2 PLC ±
- 3 PLC ±
- 4 PLC ±
- ANGLES ±2°
- FINISH

MATERIAL

PRODUCT SPEC

108-20090

APPLICATION SPEC

412-20000

WEIGHT

2.60gr



TE Connectivity

AMP SUPERSEAL 1.5 SRS.  
2 POSITIONS PLUG ASS'Y

SIZE CAGE CODE DRAWING NO RESTRICTED TO

A300779 C-282080

CUSTOMER DRAWING

SCALE 5:1 SHEET 2 OF 2 REV D