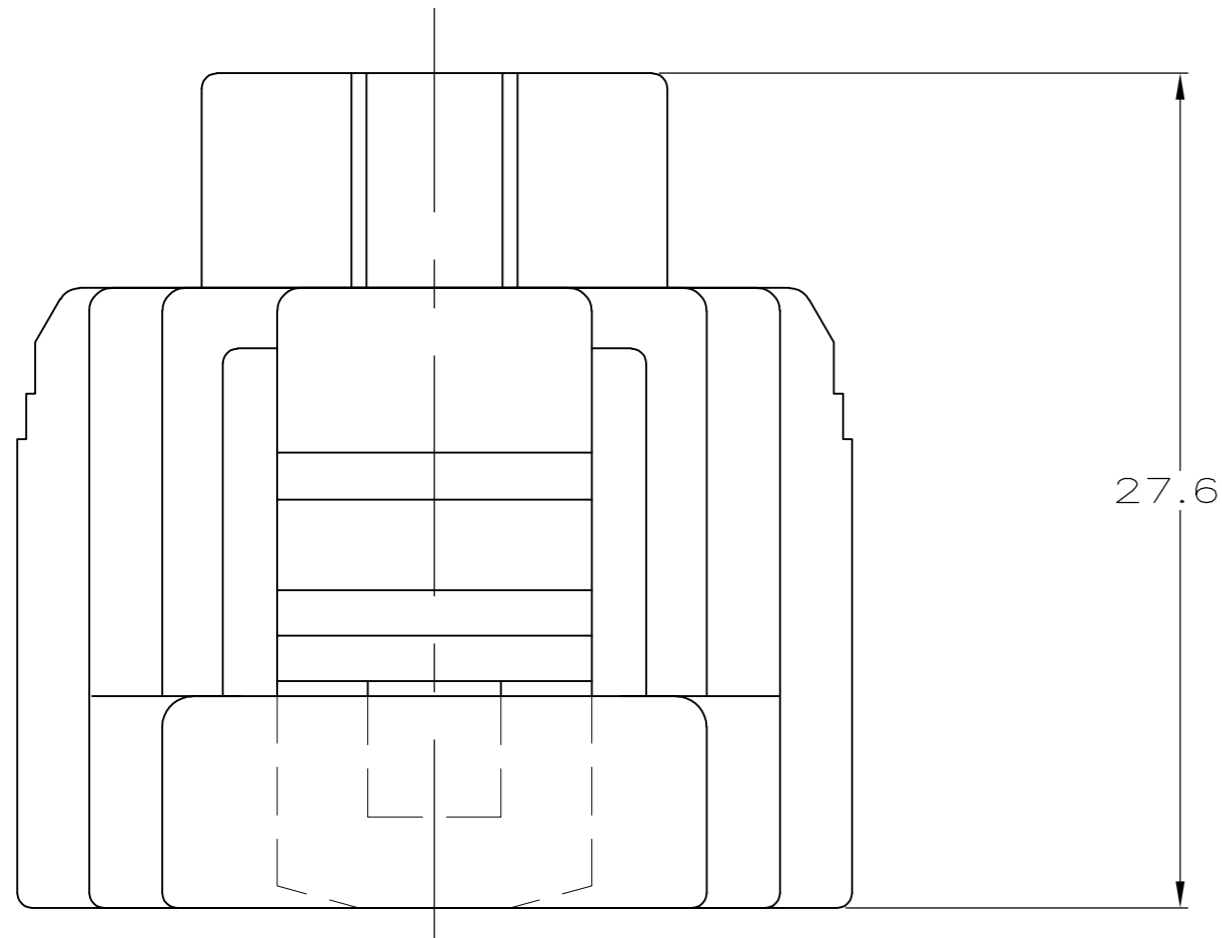
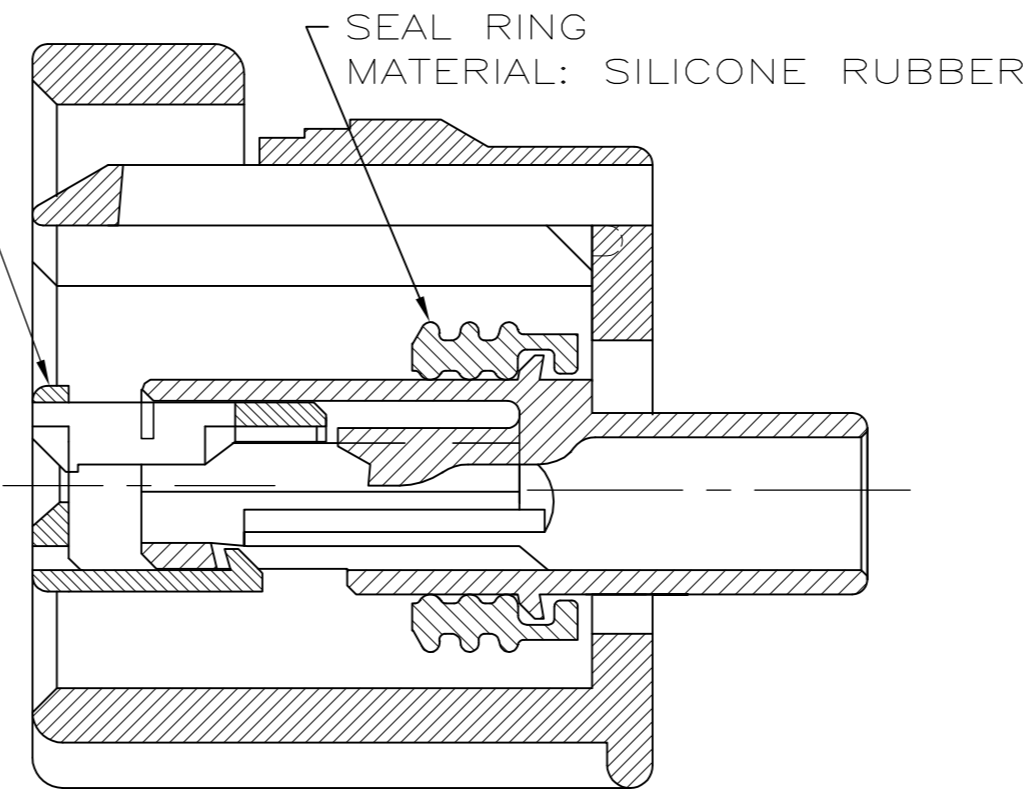


THIS DRAWING IS UNPUBLISHED. RELEASED FOR PUBLICATION  
 © COPYRIGHT - By - ALL RIGHTS RESERVED.

LOC	DIST	REVISIONS			
P	LTR	DESCRIPTION	DATE	DWN	APVD
GE	00	E1	REVISED PER ECO-11-005030	11MAR11	RK HMR

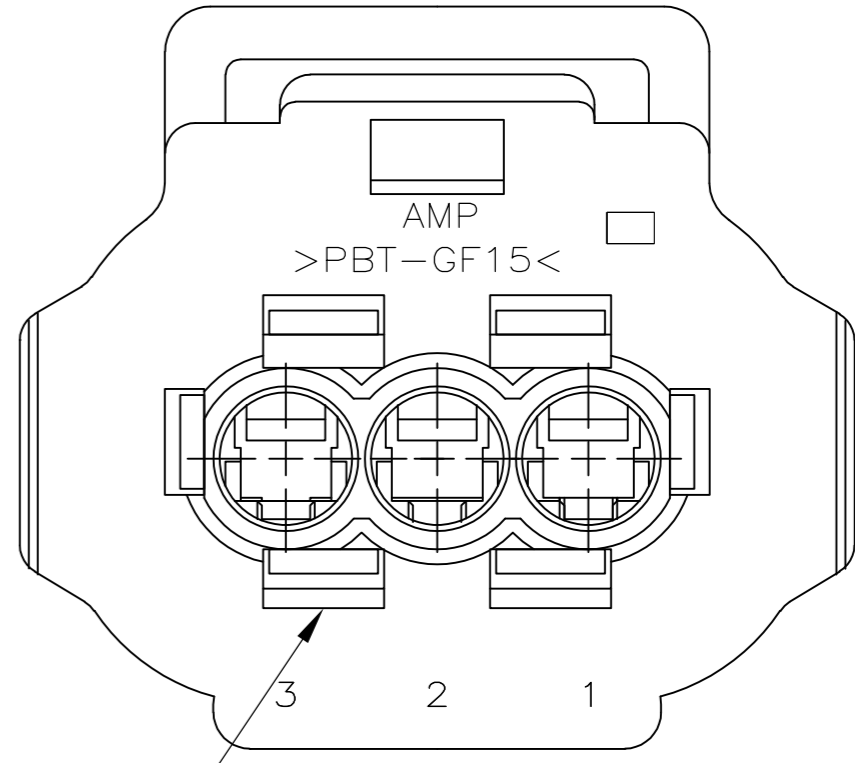


3 POSN. DOUBLE LOCK PLATE  
 MATERIAL: PBT, 15% GLASS FILLED

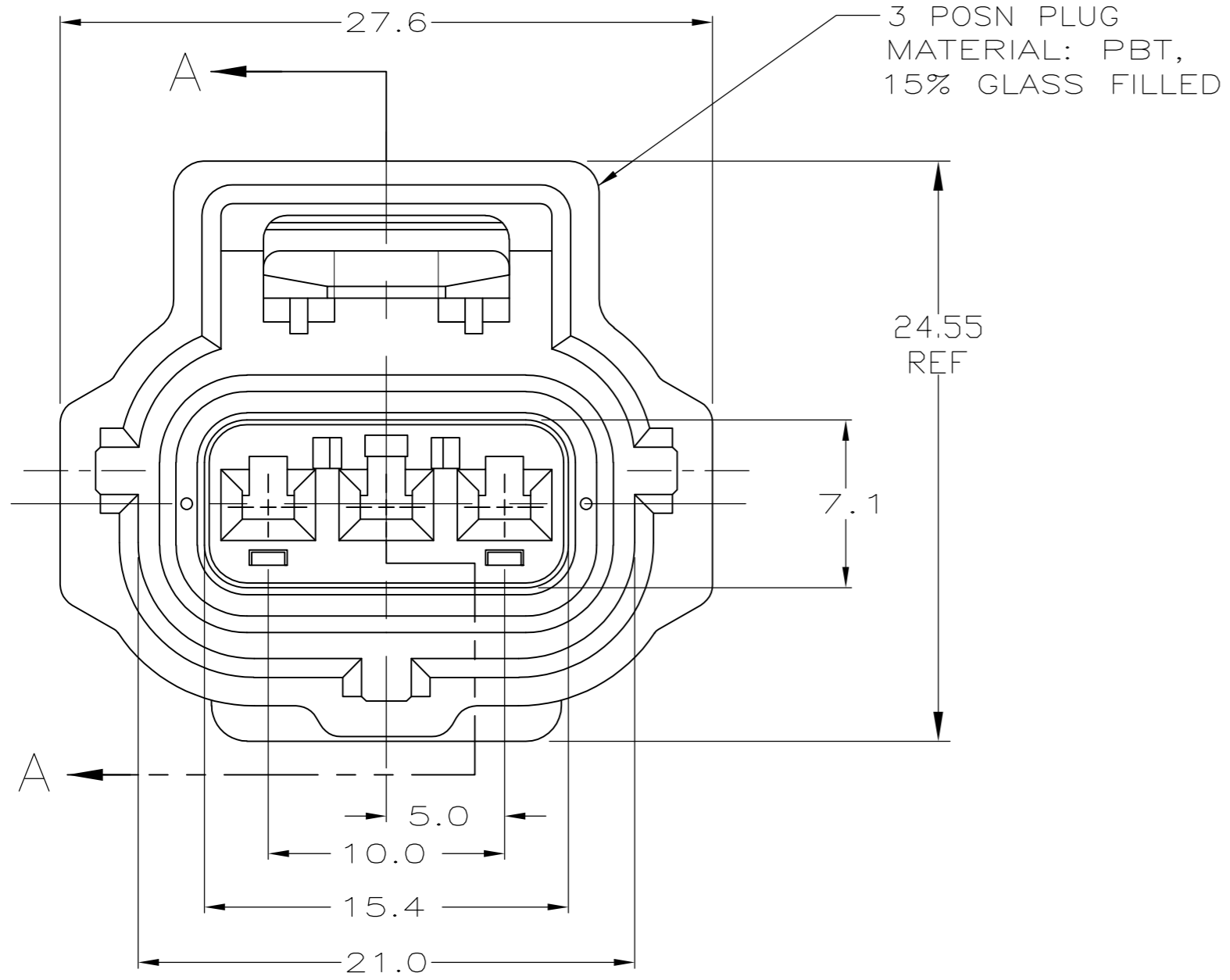


SEAL RING  
 MATERIAL: SILICONE RUBBER

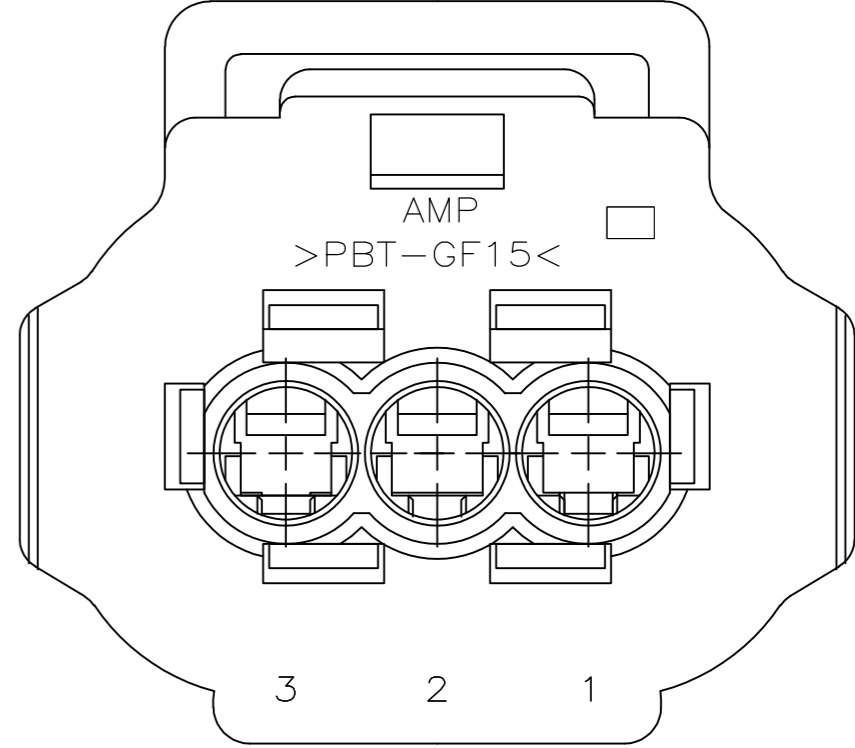
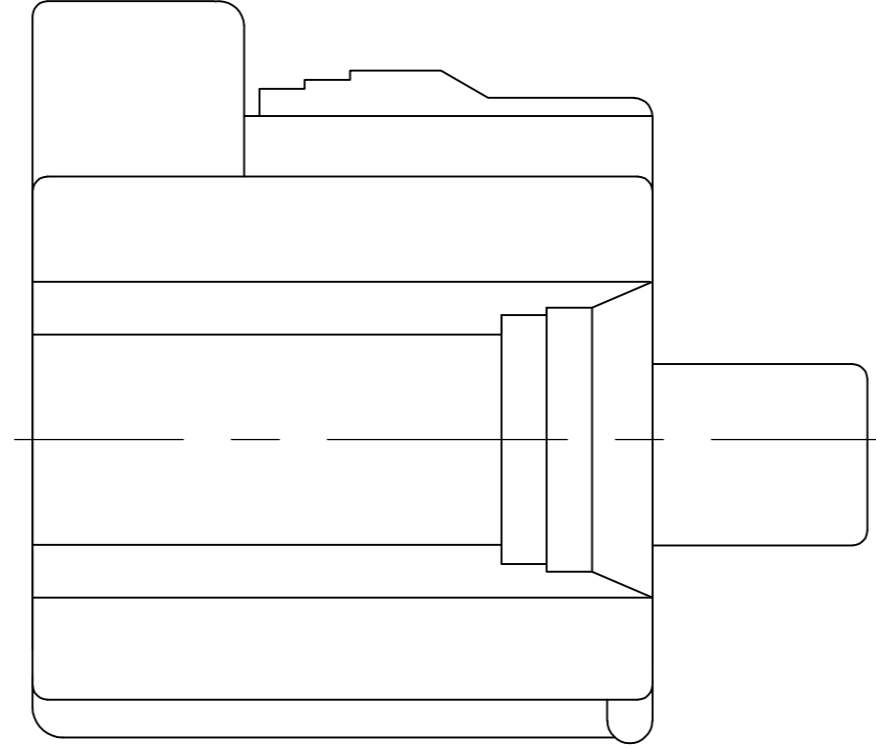
SECTION A-A



OPTIONAL CORING  
 2 PLACES



3 POSN. PLUG  
 MATERIAL: PBT,  
 15% GLASS FILLED



184032-1  
 PART NO

**TE** TE Connectivity

1 X 3 PLUG ASSEMBLY KEY A-C3

THIS DRAWING IS A CONTROLLED DOCUMENT.		DWN	KD LYTLE	12/8/94		NAME		RESTRICTED TO		
DIMENSIONS:		CHK	JP KUNKLE	12/9/94		SIZE			A2	
mm		APVD	JP KUNKLE	12/9/94		CAGE CODE				00779
TOLERANCES UNLESS OTHERWISE SPECIFIED:		PRODUCT SPEC				DRAWING NO				
0 PLC ± -		APPLICATION SPEC			SCALE		4:1			
1 PLC ± 0.3				SHEET		1 of 1				
2 PLC ± 0.3				REV				E1		
3 PLC ± -				CUSTOMER DRAWING						
4 PLC ± -										
ANGLES ± 1°										
FINISH										
MATERIAL										
AS NOTED										