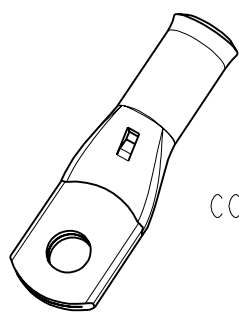
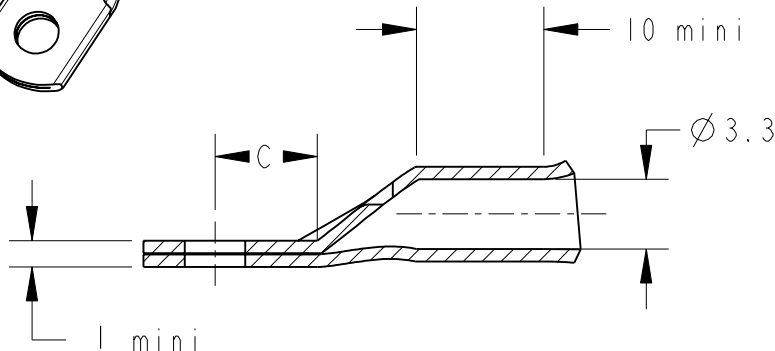


LOC	DIST	REVISIONS					
FH	00	P	LTR REV	DESCRIPTION MODIFICATIONS	DATE	DWN DESS.	APVD APP.
			DI	REVISED PER ECO-11-005150	28MAR2011	RK	HMR
			E	ECR-11-018538	07SEP2011	LP	NA



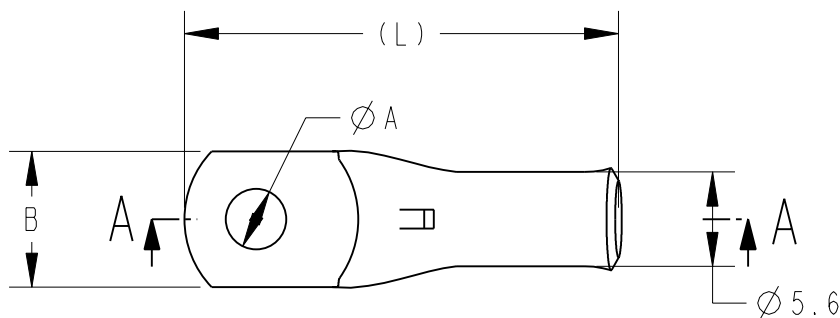
COUPE A-A



Inspection hole




Ces produits répondent à la norme NFC 20-130.  
 These products are NFC 20-130 compliant.



(L)	C	B	ØA	DESCRIPTION	PART NUMBER
31	7	10	4,2	XCT 6-4	710032-1
31	7	10	5,2	XCT 6-5	710032-2
31	7	13	6,4	XCT 6-6	710032-4
35	9	13	8,3	XCT 6-8	710032-6

- 1 - MATERIAL = TINNED COPPER
- 2 - Marking in depth: logo-section-hole-Made in France +
- 3 - CABLE SECTION = 10AWG or 6 mm<sup>2</sup>
- 4 - GROOVE E6Cu

TOLERANCES UNLESS OTHERWISE SPECIFIED: -  
 TOLERANCES NON SPECIFIEES: -

DIMENSIONS: mm	DWN/DESSINE D. LEGUY	15DEC00	MATERIAL MATIERE	CUIVRE	FINISH FINITION	ETAME					
	CHK/VERIFIE E. DEREY	-	 TE Connectivity								
TOLERANCES UNLESS OTHERWISE SPECIFIED: TOLERANCES NON SPECIFIEES (SUIV NB DE DECIMALES): 0 PLC/DEC: ±0 1 PLC/DEC: ±0.1 2 PLC/DEC: ±0.2 3 PLC/DEC: ±0.3 4 PLC/DEC: ±0.4 ANGLES ±	APVD/APPROUVE N. ALMEIDA	-					NAME TITRE	XCT 6-..			
	PRODUCT SPEC SPEC. PRODUIT	-	SIZE FORMAT	A4	CAGE CODE	00779	DRAWING NO No PLAN	C=710032		RESTRICTED TO RESERVE A	-
	APPLICATION SPEC SPEC. APPLICATION	-	WEIGHT MASSE APPROX.	CUSTOMER DRAWING /PLAN CLIENT			UNIQUEMENT POUR REFERENCE	SCALE ECHELLE - / -	SHEET FEUILLE 1	OF DE 1	REV E