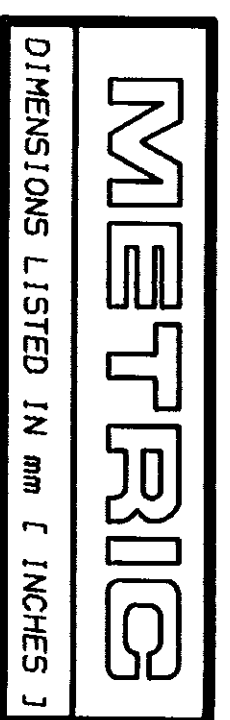
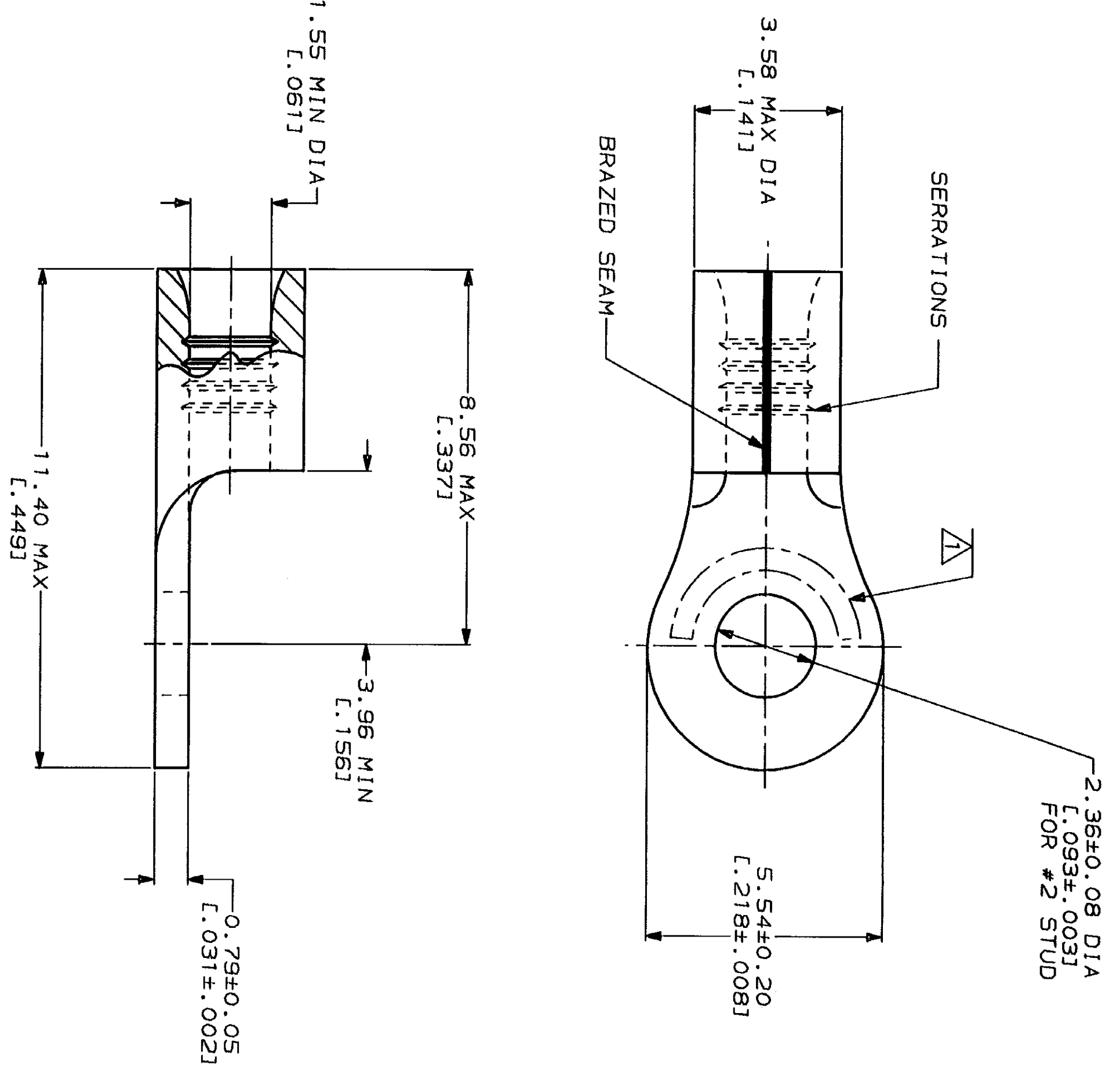


LOC	DIST	REV	DESCRIPTION	DATE	APPD
G	14	P	REV 8 REDRAWN PER 0720-0040-93	3-9-93	JLB DAP



AMP WIRE RANGE	UL E13288 Listed
22-16 AWG SOLID OR STRANDED	22-16 AWG SOLID OR STRANDED
LR7189 Certified	MILITARY P/N AND CLASS
22-16 AWG SOLID OR STRANDED	M7928/7-1 CLASS 2 PN'S 34103 & 2-34103-1

STAMP AMP 22-18* APPROX AS SHOWN
 22-16 TERMINALS ARE STAMPED 22-18 IN
 ACCORDANCE WITH MILITARY SPECIFICATION
 MIL-T-7928; COMMERCIAL WIRE RANGE IS 22-16



**AMP INCORPORATED
 CUSTOMER SERVICE SYSTEMS**

FOR ADDITIONAL PRODUCT INFORMATION OR COPIES OF DRAWINGS AND TECHNICAL DOCUMENTS	PRODUCT INFORMATION CENTER 1-800-522-6752
FOR APPLICATION TOOLING INFORMATION	TOOLING ASSISTANCE CENTER 1-800-722-1111
FOR ORDER ENTRY	1-800-526-5142

MAX RECOMMENDED OPERATING TEMPERATURE:	170°C MAX
VOLTAGE RATING:	NOT APPLICABLE
WIRE CROSS SECTIONAL AREA RANGE:	0.26-1.65mm ² [509-3,260] CIR MILS SOLID OR STRANDED

DO NOT SCALE PRINT. UNLESS SPECIFIED DIMENSIONS IN mm [INCHES] TOLERANCES ON: 2 PLC DEC ± 3 PLC DEC ± ANGLES	DR 1-27-93 TA BRINKMAN CHK 1-27-93 DA PATTERSON APPD 1-27-93 DE MILLER APPD 1-27-93 JL MECKLEY PRODUCT SPEC
--	---

FINISH	TIN PLATE
0.00254 [L.000100] MIN THK PER MIL-T-10727	
APPLICATION SPEC	
WEIGHT	

5000	ON TAPE	2-34103-1
---	LOOSE PIECE	34103
QUANTITY	PACKAGING TYPE	PART NO

AMP
 AMP Incorporated
 Harrisburg, PA 17105-3608

NAME	TERMINAL, RING TONGUE, SOLISTRAND™
SCALE	10:1
SIZE	CAGE CODE
00779	DRAWING NO
34103	SHEET
	1 OF 1