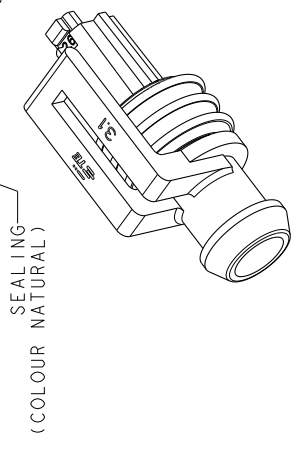
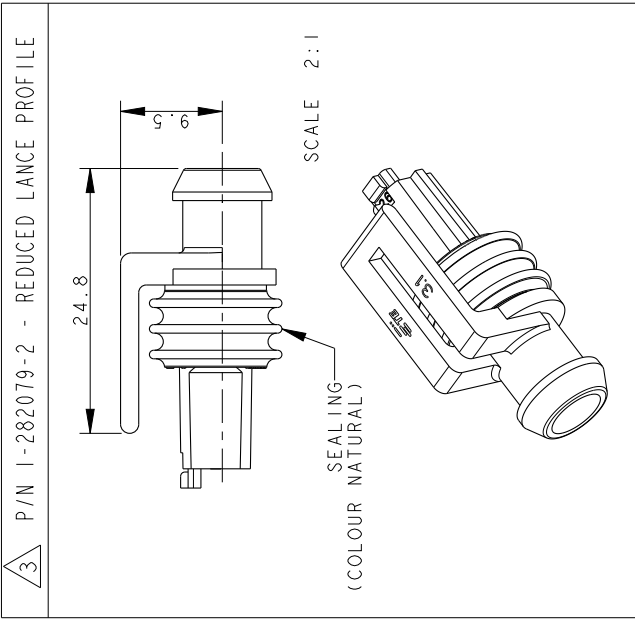
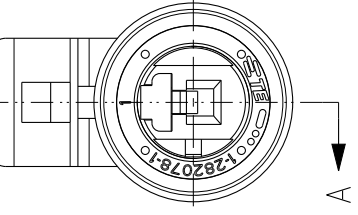
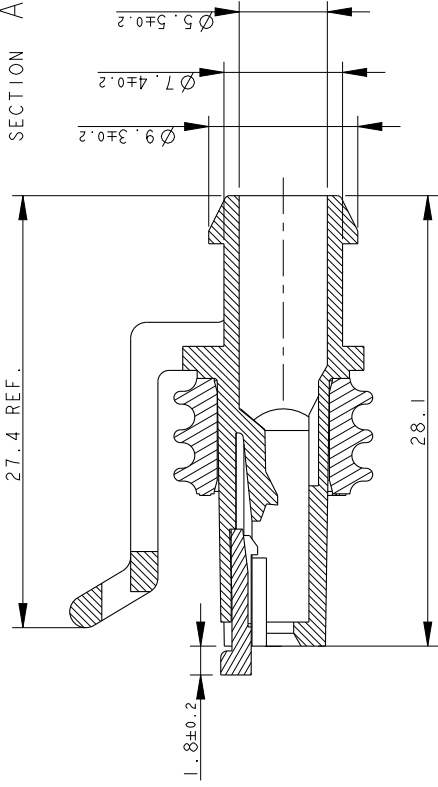


REVISONS		DATE	DWN	APVD
P	LTR			
G		24MAR2015	M. P.	M. G.
G1		25SEP2015	M. G.	M. G.
G2		10FEB2017	C. A.	M. G.

DESCRIPTION
ECR-14-009314
REVISED (ECR-15-014031)
REVISED PER ECO-17-001706

SECTION A - A



SCALE 2:1

SEALING  
(COLOUR NATURAL)

27.4 REF.

28.1

1.8±0.2

9.3±0.2

7.4±0.2

5.5±0.2

7.2

3.0±0.2

3.6±0.2

TE CONNECTIVITY TRADE MARK,  
(IN ALTERNATIVE: "ADAPTER" LOGO, OR "Tyco Electronics" LOGO)

SEALING  
(COLOUR YELLOW)

PRE-ASSEMBLED SECONDARY LOCK  
(COLOUR RED)

NOTE	FINISH/COLOR	MATERIAL	PART NUMBER
①	BLACK	HOUSING+SEC. LOCK: PA 66-GF SEALING: LSR (4% OIL CONTENT)	2-282079-2
③	BLACK		1-282079-2
	GRAY	HOUSING+SEC. LOCK: PA 66-GF SEALING: LSR (NO OIL CONTENT)	282079-3
	BLACK		282079-2

DWN		05-1992	
C. BERTINI	APVD	TE Connectivity	
A. BRUNJ	APVD	STE	
NAME		AMP SUPERSEAL 1.5 SRS. 1 POSITION PLUG ASS'Y	
PRODUCT SPEC		RESTRICTED TO	
108-20090		SIZE	
APPLICATION SPEC		CAGE CODE	
412-20000		DRAWING NO	
WEIGHT		A300779C=282079	
1.55gr		SCALE	
Customer Drawing		3:1	
		SHEET	
		OF 2	
		REV G2	

DIMENSIONS:		TOLERANCES UNLESS OTHERWISE SPECIFIED:	
mm		0 PLC	±0.3
		1 PLC	±0.3
		2 PLC	±0.3
		3 PLC	±0.3
		4 PLC	±0.3
		ANGLES	±2°
MATERIAL		FINISH	
SEE TABLE		SEE TABLE	

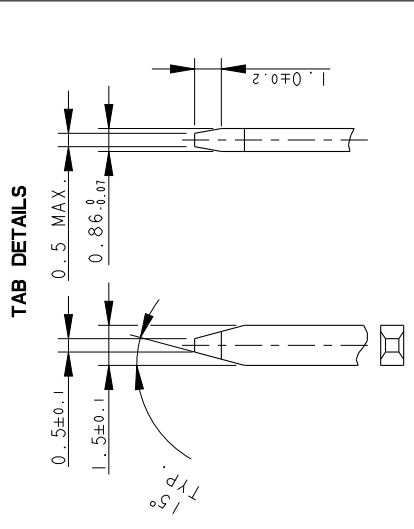
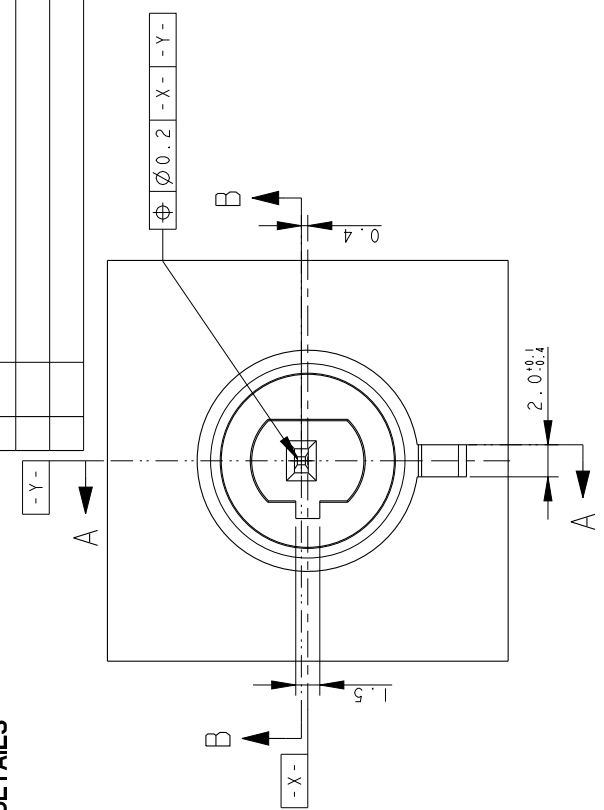
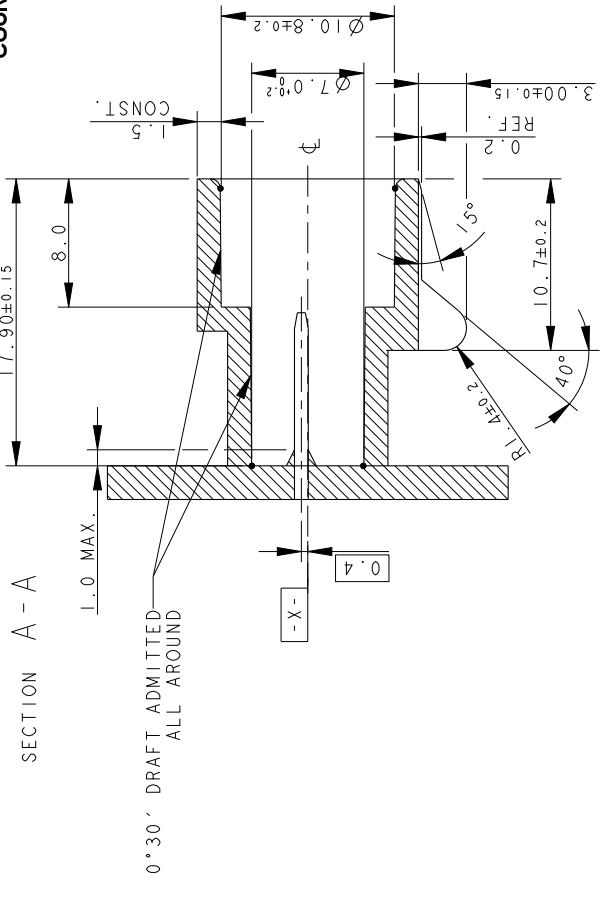
THIS DRAWING IS A CONTROLLED DOCUMENT.

① WARNING: LOW RETENTION FORCE OF SEALING ON HOUSING (<9N)

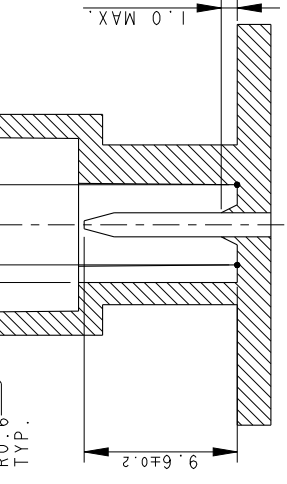
2) FOR COUNTERPART DETAILS, SEE SHEET 2 OF 2

P	LTR	DESCRIPTION	DATE	DWN	APVD
-	-	SEE SHEET 1	-	-	-

**COUNTERPART DETAILS**



**SECTION B - B**



⚠ MATERIALS: PA66-GF FOR HOUSING  
 TIN PLATED BRASS FOR TABS

THIS DRAWING IS A CONTROLLED DOCUMENT.		DWN C. BERTINI 05-1992	STE TE Connectivity	
DIMENSIONS: mm		CHK A. BRUNJ 05-1992	NAME	
TOLERANCES UNLESS OTHERWISE SPECIFIED:		APVD	-	
0	PLC	PRODUCT SPEC	AMP SUPERSEAL 1.5 SRS.	
1	PLC	108-20090	1 POSITION PLUG ASS'Y	
2	PLC	APPLICATION SPEC	-	
3	PLC	412-20000	-	
4	PLC	WEIGHT	1.55gr	
ANGLES	±2°	SIZE	A300779C=282079	
FINISH	⚠	DRAWING NO	-	
MATERIAL	⚠	RESTRICTED TO	-	
Customer Drawing		SCALE	5:1	
		SHEET	2 OF 2	
		REV	G2	