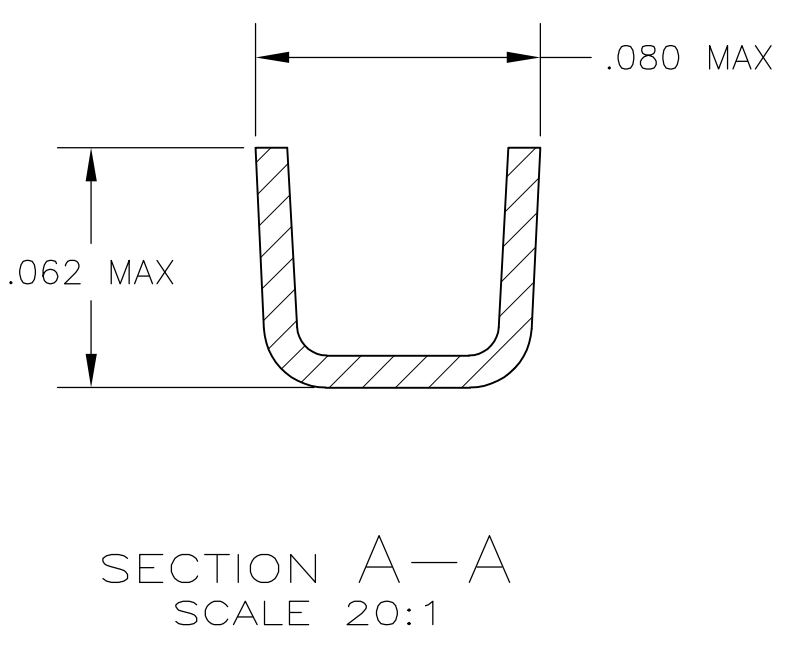
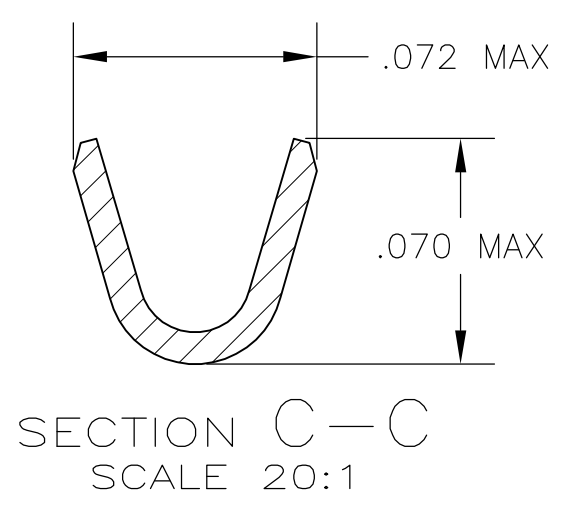
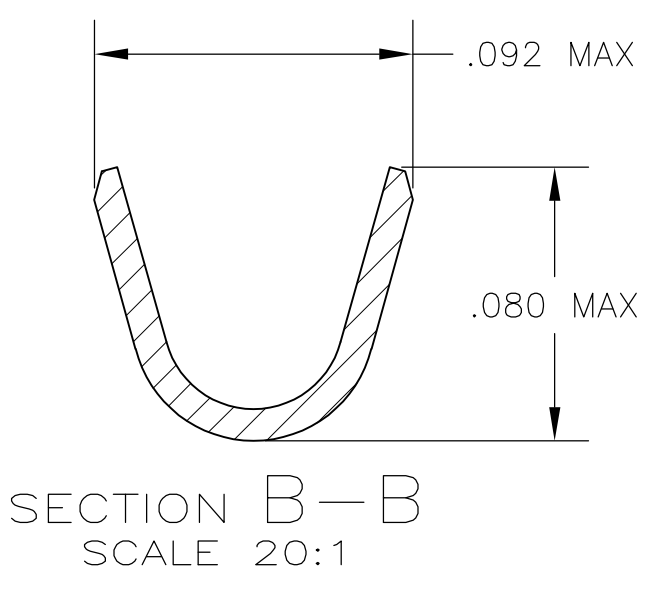
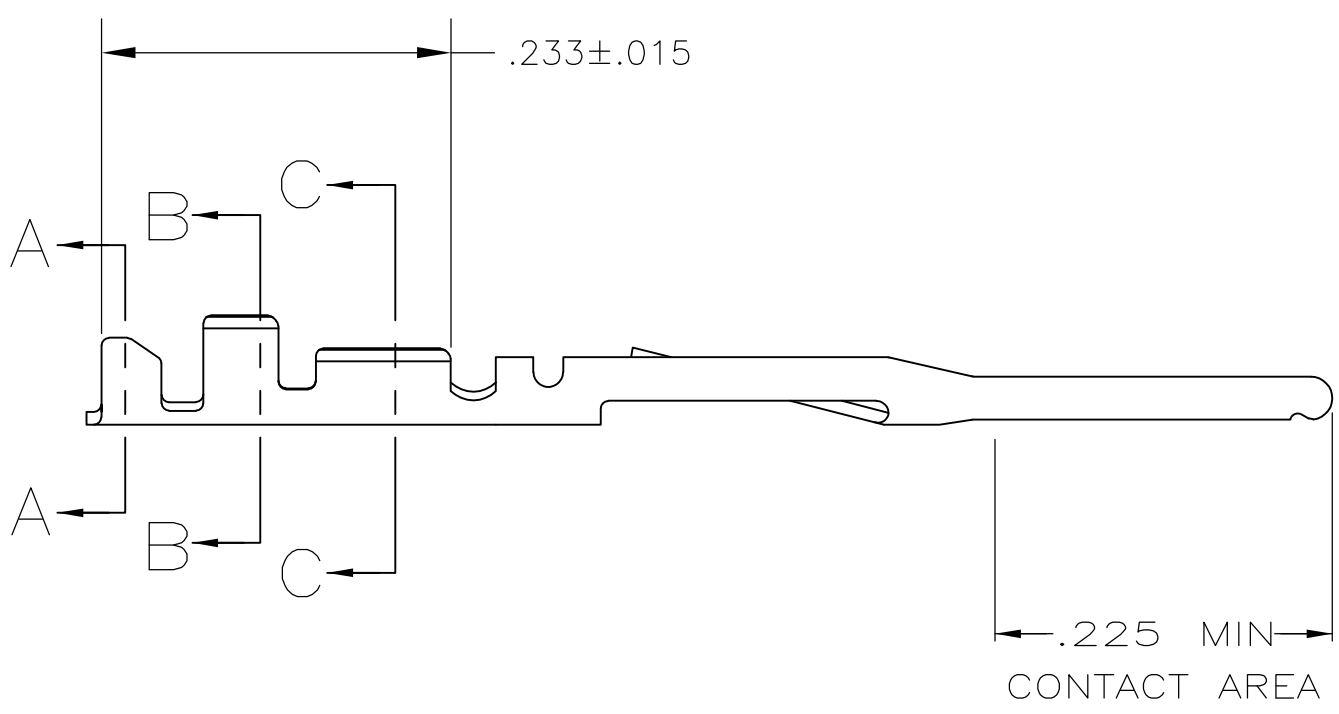
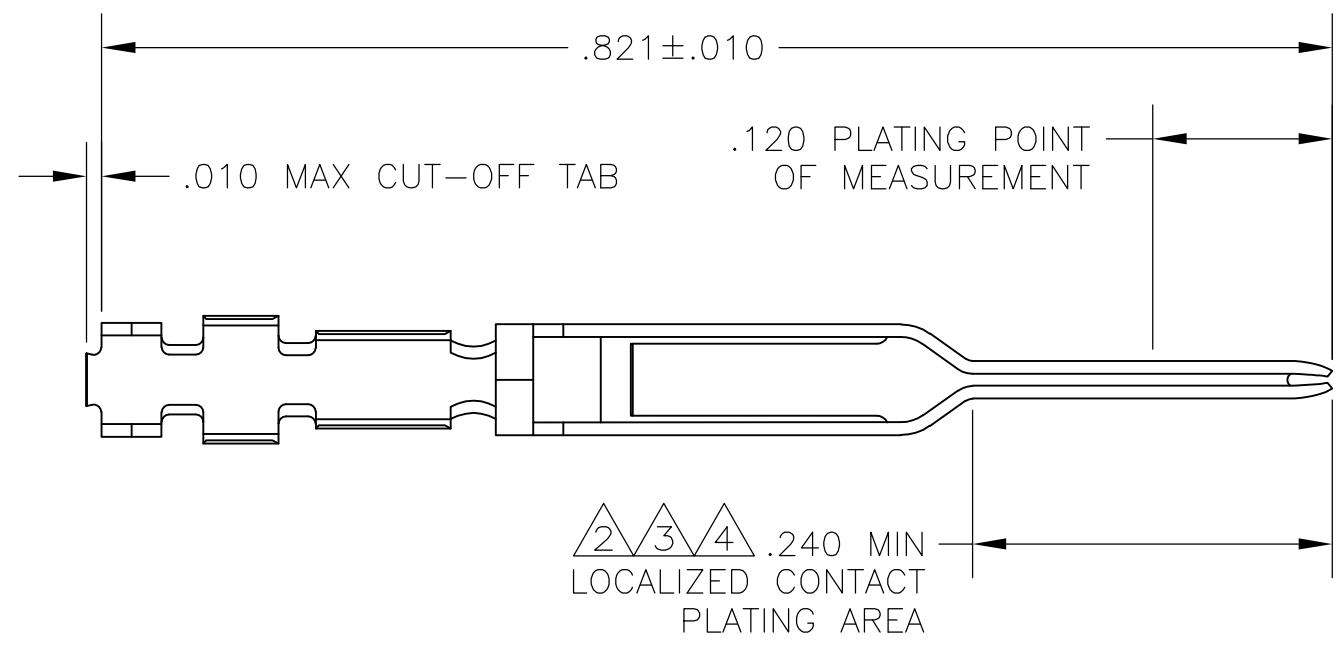


THIS DRAWING IS UNPUBLISHED. RELEASED FOR PUBLICATION  
 © COPYRIGHT - By - ALL RIGHTS RESERVED.

LOC		DIST		REVISIONS			
P	LTR	DESCRIPTION		DATE	DWN	APVD	
GP	00	E1		REVISED PER ECO-11-004835	11MAR11	RK HMR	



- 1 FINISH: .000100 MIN THK BRIGHT TIN LEAD OVER .000050 MIN THK NICKEL ON ENTIRE CONTACT.
- 2 FINISH: .000015 THK GOLD IN LOCALIZED CONTACT PLATING AREA AND GOLD FLASH IN OTHER AREAS OVER .000050 MIN NICKEL ON ENTIRE CONTACT.  
-OR-  
GOLD FLASH OVER PALLADIUM-NICKEL, .000015 MIN TOTAL THK IN LOCALIZED CONTACT PLATING AREA AND GOLD FLASH ON REMAINDER OVER .000050 MIN NICKEL ON ENTIRE CONTACT.
- 3 FINISH: .000030 THK GOLD IN LOCALIZED CONTACT PLATING AREA AND GOLD FLASH IN OTHER AREAS OVER .000050 MIN NICKEL ON ENTIRE CONTACT,  
-OR-  
GOLD FLASH OVER PALLADIUM-NICKEL, .000030 MIN TOTAL THK IN LOCALIZED CONTACT PLATING AREA AND GOLD FLASH ON REMAINDER OVER .000050 MIN NICKEL ON ENTIRE CONTACT.
- 4 FINISH: .000050 THK GOLD IN LOCALIZED CONTACT PLATING AREA AND GOLD FLASH IN OTHER AREAS OVER .000050 MIN NICKEL ON ENTIRE CONTACT,  
-OR-  
GOLD FLASH OVER PALLADIUM-NICKEL, .000050 MIN TOTAL THK IN LOCALIZED CONTACT PLATING AREA AND GOLD FLASH ON REMAINDER OVER .000050 MIN NICKEL ON ENTIRE CONTACT.
- 5. FOR 22-26 AWG WIRE WITH AN INSULATION RANGE OF .040-.056 DIA.
- 6 FINISH: .000100 MIN THK TIN OVER .000050 MIN THK NICKEL ON ENTIRE CONTACT.

6	1-86557-9	1-86561-0
1	1-86557-4	86561-9
4	86557-7	86561-7
2	86557-6	86561-6
3	86557-4	86561-4
FINISH	REELED PART NO	PART NO

THIS DRAWING IS A CONTROLLED DOCUMENT.		DWN J. GALLUCCI 6-27-89	<b>TE</b> TE Connectivity	
DIMENSIONS: INCHES		CHK D.L. ROCKER 6-28-89		
TOLERANCES UNLESS OTHERWISE SPECIFIED:		APVD G.D. MILLER 6-29-89	NAME CONTACT, PIN, .025 SQ ROUND WIRE, .100 CENTERLINE, FFC	
0 PLC ± -	1 PLC ± -	PRODUCT SPEC 108-9024	SIZE A2	CAGE CODE 00779
2 PLC ± -	3 PLC ± .005	APPLICATION SPEC 114-16003	DRAWING NO C=86561	RESTRICTED TO -
4 PLC ± -	ANGLES ± -	WEIGHT -	SCALE 8:1	SHEET 1 of 1
MATERIAL PHOS. BRONZE	FINISH SEE TABLE	CUSTOMER DRAWING	REV E1	