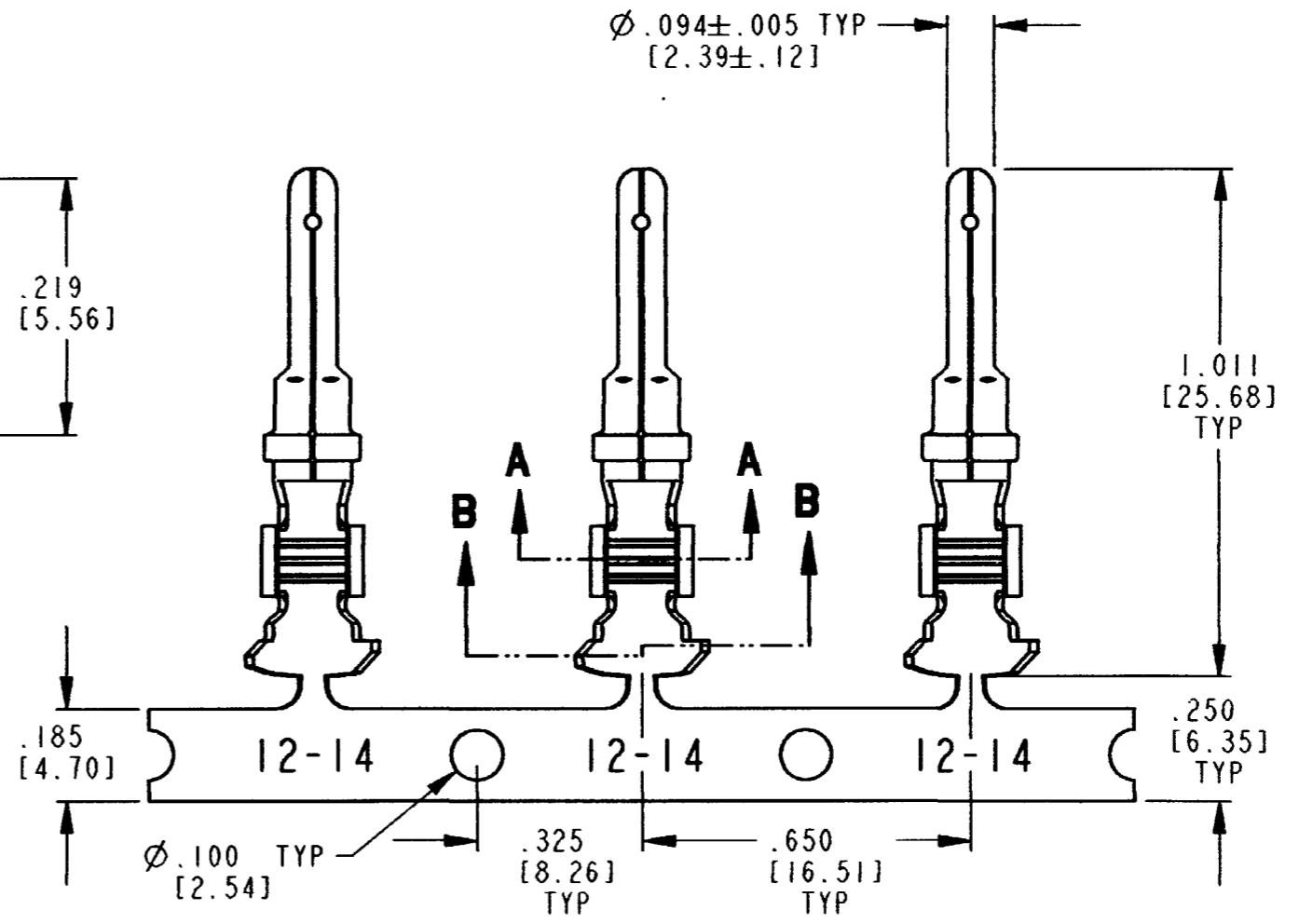
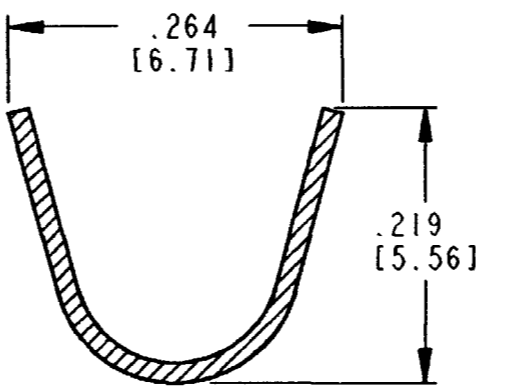
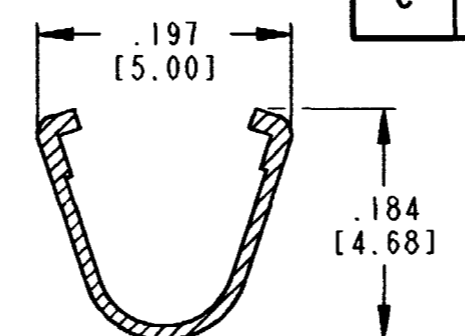
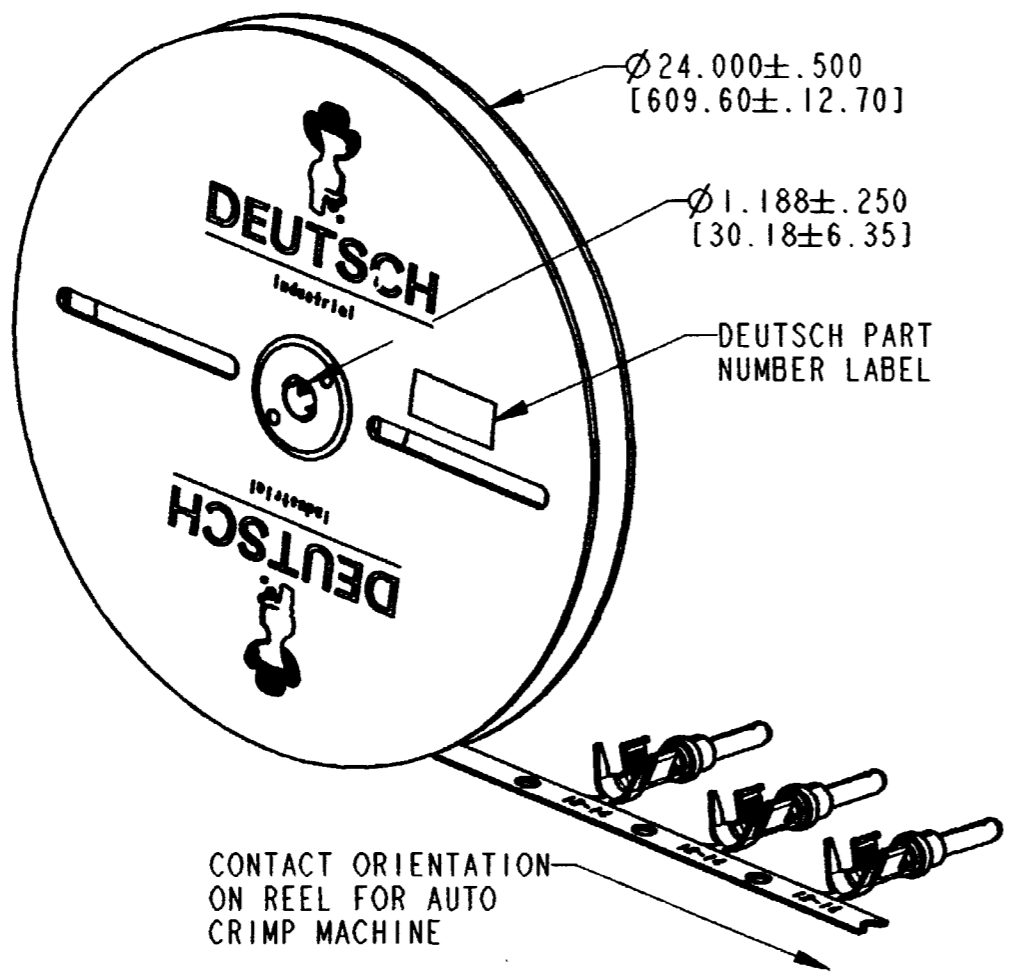


REV
C

1060-12-01 **

REVISIONS			
SYM	DESCRIPTION	DATE	APPROVED
NC	NEW RELEASE PER E.O. PI5224	02-17-97	R.D.R.
A	REVISED PER E.O. PI5646	05-29-98	R.D.R.
B	REVISED PER E.O. PI6978	12-11-00	R.D.R.
C	REVISED PER E.O. PI9555	7-11-07	RDR



7. CONTACT MATERIAL CONTAINS 98% COPPER MINIMUM.
 6. WHEN ** = 44 PLATING IS GOLD.
 ** = 66 PLATING IS TIN/NICKEL.
 5. SEE 0425-015-0000 FOR CONTACT PERFORMANCE AND WIRE APPLICATION CHARACTERISTICS.
 4. THIS CONTACT MAY BE CRIMPED WITH DCT12-02-00 AUTOMATIC DIE OR DTT-12-00 HAND TOOL. SEE DRAWING 0425-208-0000 FOR APPLICABLE WIRE SIZE, INSULATION DIAMETER RANGE, AND CRIMPING INFORMATION.
 3. ONE REEL CONTAINS APPROXIMATELY 2500 CONTACTS.
 2. DIMENSION TOLERANCE: $\pm .025$ [.64].
 1. DIMENSIONS ARE IN INCHES [mm].
- NOTES: UNLESS OTHERWISE SPECIFIED

SIGNATURE & DATE	
DR	D. MEYER 11/14/00
CHK	<i>[Signature]</i> 7/11/07
PE	<i>[Signature]</i> 7/10/07
APPD	<i>[Signature]</i> 7-11-07
SCALE	NONE WT

STAMPED CONTACT
PIN
SIZE 12

ENVELOPE

EP	EP058	MATL. CODE
The Deutsch Company DEUTSCH I.P.D. 3850 INDUSTRIAL AVE. HEMET, CALIF. 92545		
B	1060-12-01 **	
DWG SIZE	CODE 11139	SHEET OF