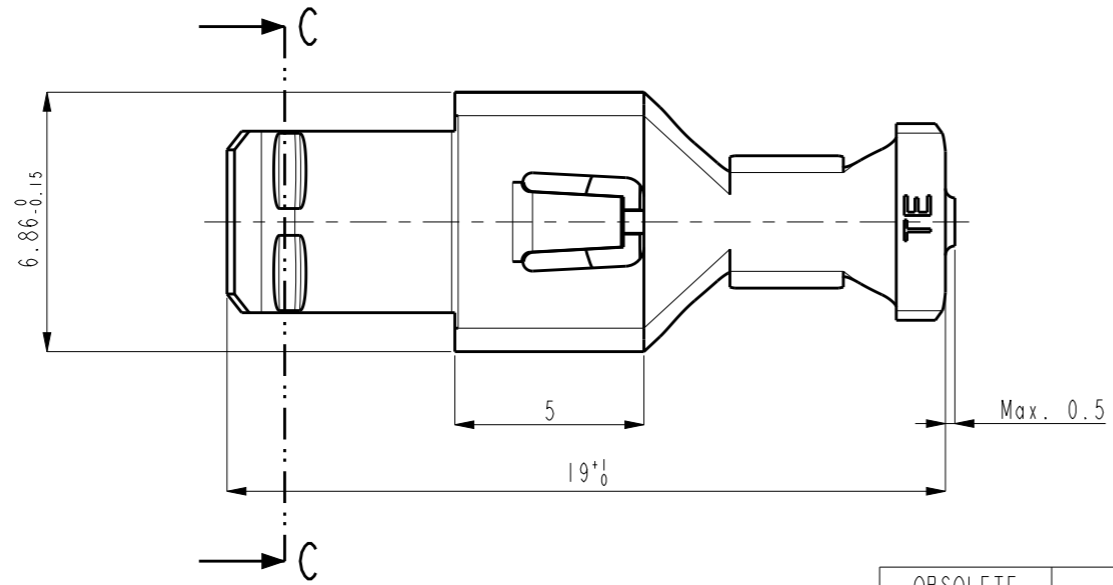
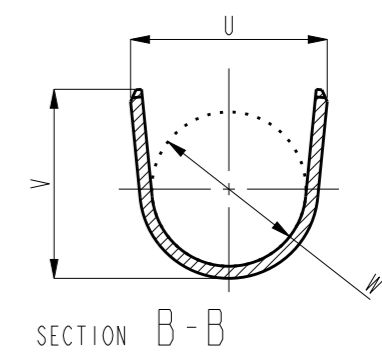
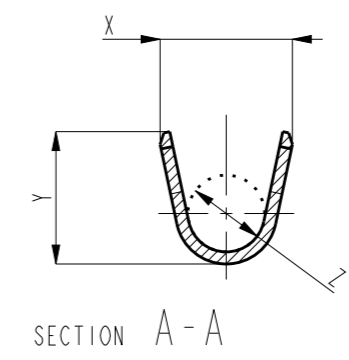
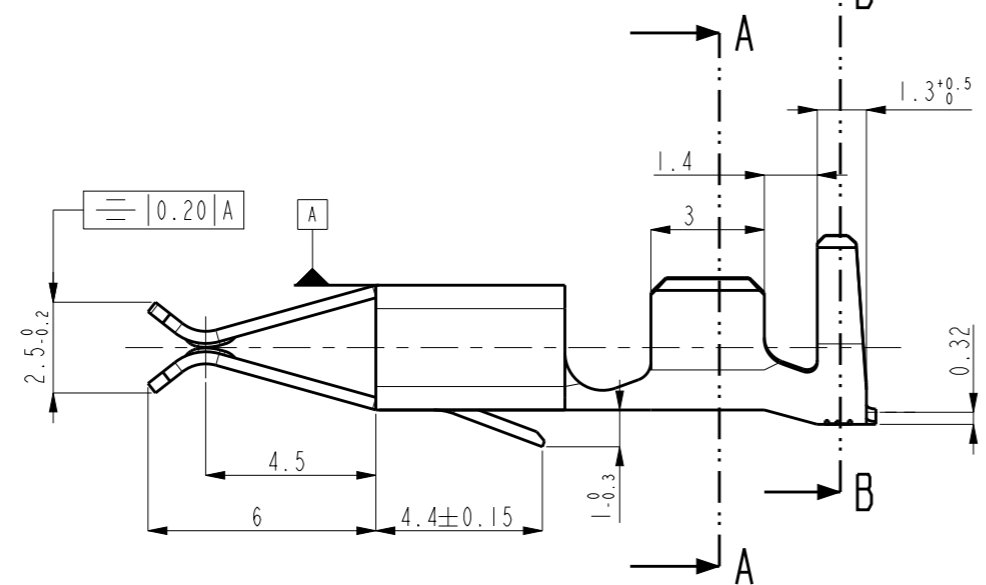
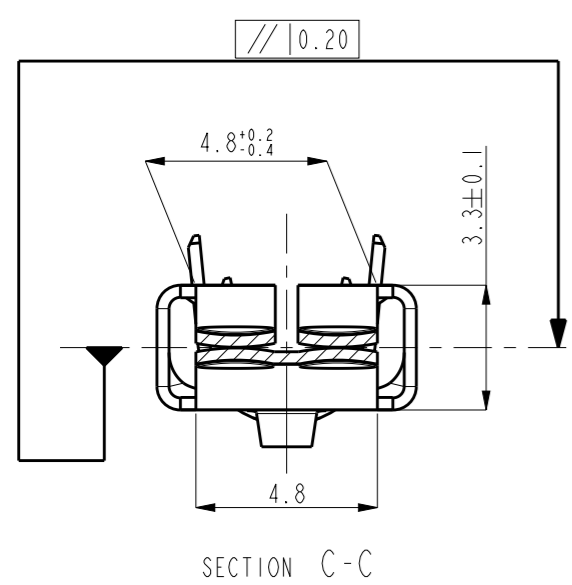
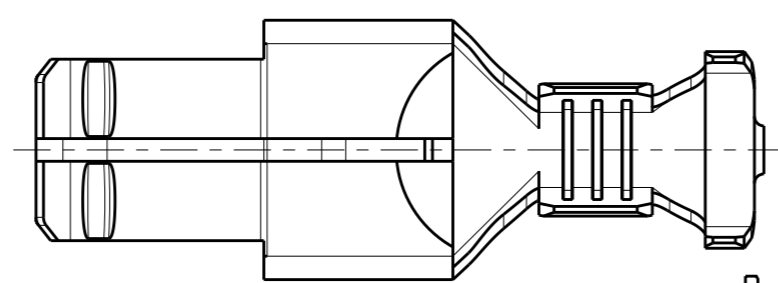


THIS DRAWING IS UNPUBLISHED. RELEASED FOR PUBLICATION  
© COPYRIGHT - BY - ALL RIGHTS RESERVED.

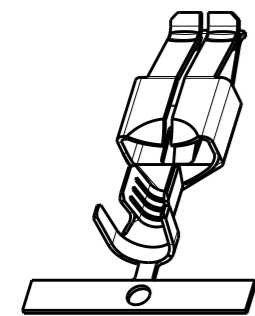
REVISIONS

P	LTR	DESCRIPTION	DATE	DWN	APVD
D3	ECR-16-013486		26SEP2016	KD	RR
D4	ECR-16-014897		10FEB2017	KD	RR



1 PRELIMINARY - NOT RELEASED FOR PRODUCTION  
2 -

REMARK	INSUL. RANGE	WIRE RANGE	U	V	W	X	Y	Z	FINISH	MATERIAL	PART NO.	REV.
OBSOLETE			5.2	5.0	∅ 4.0	3.6	3.5	∅ 2.0	TIN	CuFe	926973-3	0
OBSOLETE	∅ 3.0 - 4.3 mm	1.0 - 2.5 mm <sup>2</sup>	+0.5 /-0.1	±0.3	±0.2	±0.3	±0.3	±0.2	TIN	CuSn4	926973-2	0
									TIN	CuZn30	926973-1	D



SCALE 2:1

CROSS-SECTION IN mm <sup>2</sup>
X-926973-X
1.0
1.5
2.0
2.5

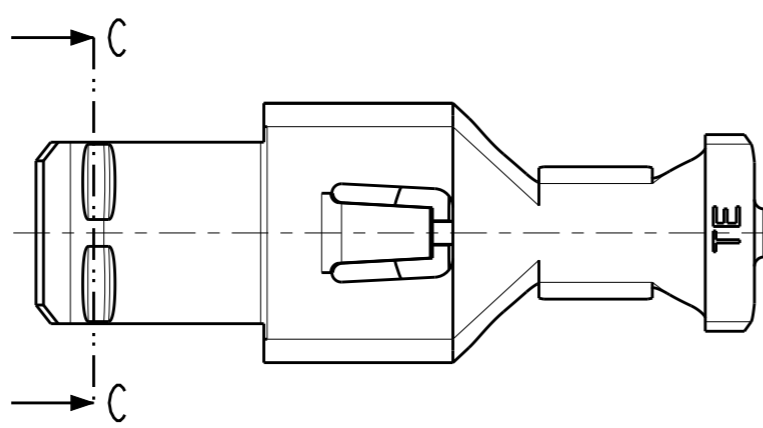
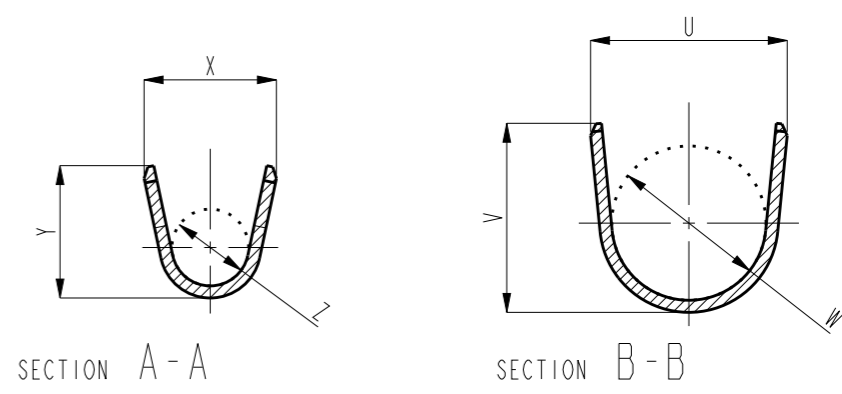
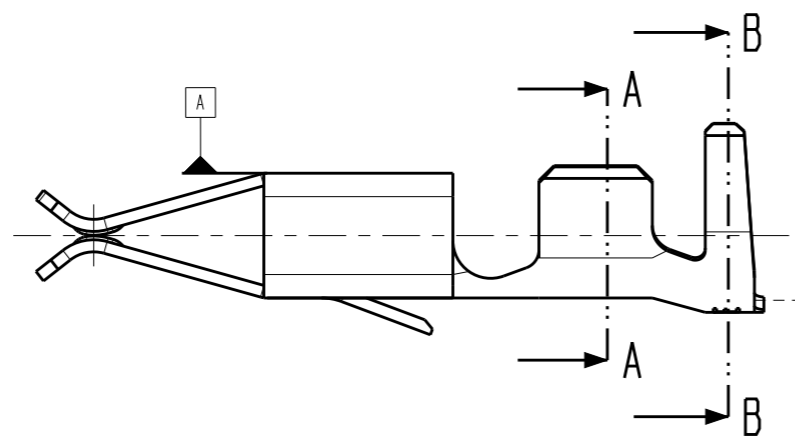
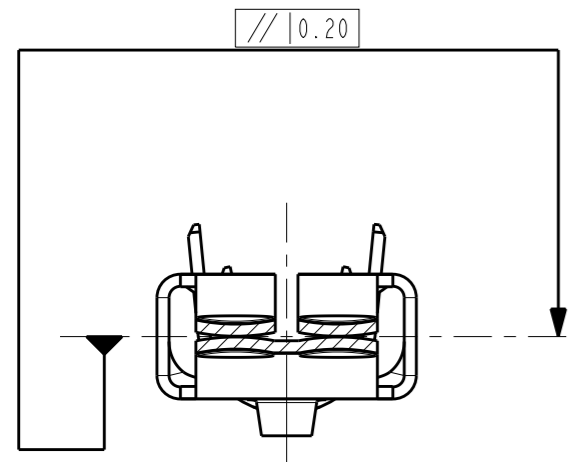
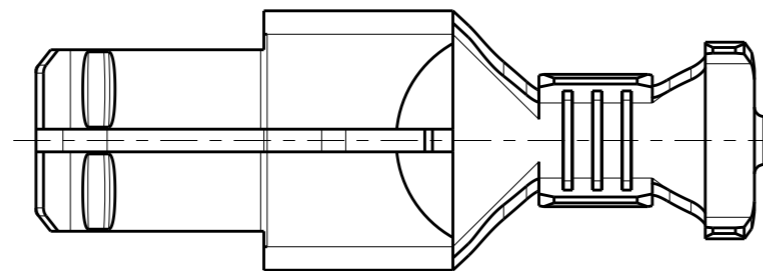
DIMENSIONS:	TOLERANCES UNLESS OTHERWISE SPECIFIED:
mm	0 PLC ±-
	1 PLC ±-
	2 PLC ±0.2
	3 PLC ±-
	4 PLC ±-
	ANGLES ±1°
MATERIAL	FINISH
-	-
-	-

THIS DRAWING IS A CONTROLLED DOCUMENT.	
DWN	03 MRZ 1988
GOERKE	
CHK	07 MAZ 1988
BITSCH	
APVD	-
PRODUCT SPEC	-
APPLICATION SPEC	-
WEIGHT	0.528
CUSTOMER DRAWING	

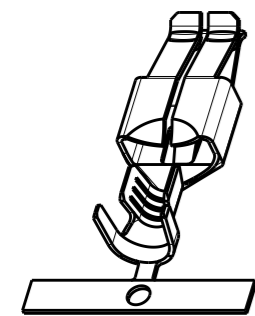
<b>STE</b> TE Connectivity			
NAME STANDARD-TIMER CONTACT			
SIZE	CAGE CODE	DRAWING NO	RESTRICTED TO
A3	00779	926973	-
SCALE 5:1		SHEET 1 OF 3	REV D4

THIS DRAWING IS UNPUBLISHED. RELEASED FOR PUBLICATION  
 © COPYRIGHT - BY - ALL RIGHTS RESERVED.

REVISIONS					
P	LTR	DESCRIPTION	DATE	DWN	APVD
-	-	SEE SHEET 1	-	-	-



ATTENTION!  
 ONLY FOR 3-926965-1  
 OTHER DIMENSION SEE SHEET 1




SCALE 2:1

CROSS-SECTION IN mm <sup>2</sup>
3-926965-1
0.5
0.5 + 0.5
0.75
1.0
1.5

REMARK	INSUL. RANGE	WIRE RANGE	U	V	W	X	Y	Z	FINISH	MATERIAL	PART NO.	REV.
	Ø2.0 - 3.0 mm	0.5 - 1.5 mm <sup>2</sup>	4.1 ±0.2	4.3 ±0.2	Ø2.8 ±0.2	3.0 ±0.2	3.2 ±0.2	Ø1.4 ±0.2	TIN	CuZn30	3-926965-1	A

THIS DRAWING IS A CONTROLLED DOCUMENT.		DWN 03 MRZ 1988 GOERKE	 TE Connectivity NAME STANDARD-TIMER CONTACT PRODUCT SPEC - APPLICATION SPEC - WEIGHT 0.528
DIMENSIONS: mm		CHK 07 MAZ 1988 BITSCH	
TOLERANCES UNLESS OTHERWISE SPECIFIED:		APVD -	
0 PLC ±- 1 PLC ±- 2 PLC ±0.2 3 PLC ±- 4 PLC ±- ANGLES ±1°		SIZE A3 CAGE CODE 00779 DRAWING NO C-926973	
MATERIAL -	FINISH -	CUSTOMER DRAWING	RESTRICTED TO -
SCALE 5:1			SHEET 2 OF 3
REV D4			

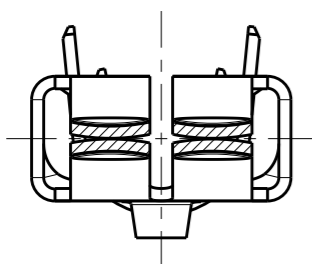
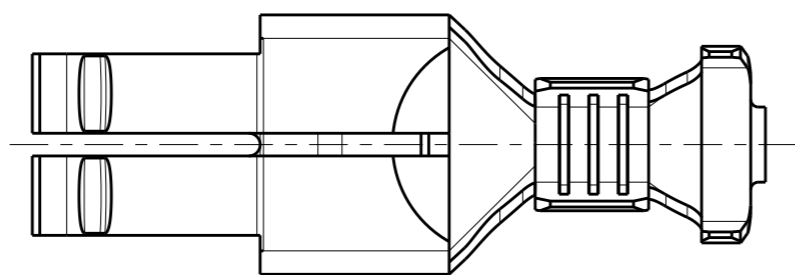
THIS DRAWING IS UNPUBLISHED.

RELEASED FOR PUBLICATION

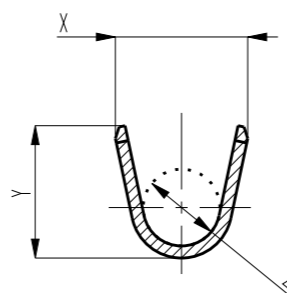
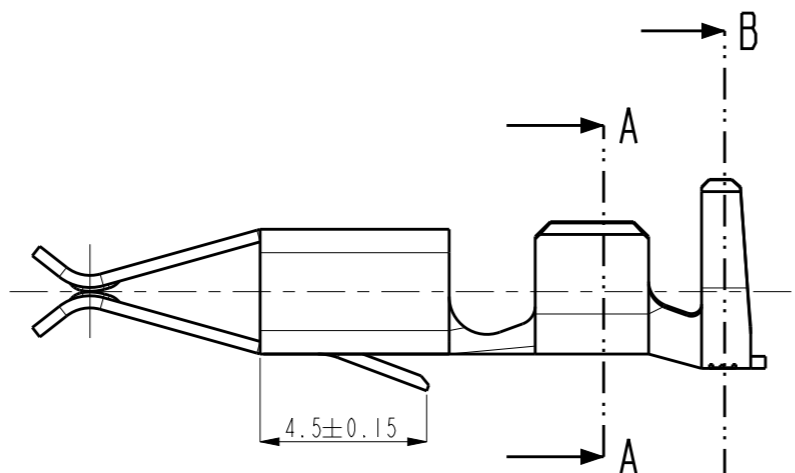
© COPYRIGHT - BY - ALL RIGHTS RESERVED.

REVISIONS

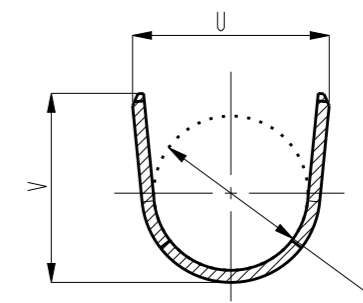
P	LTR	DESCRIPTION	DATE	DWN	APVD
-	-	SEE SHEET 1	-	-	-



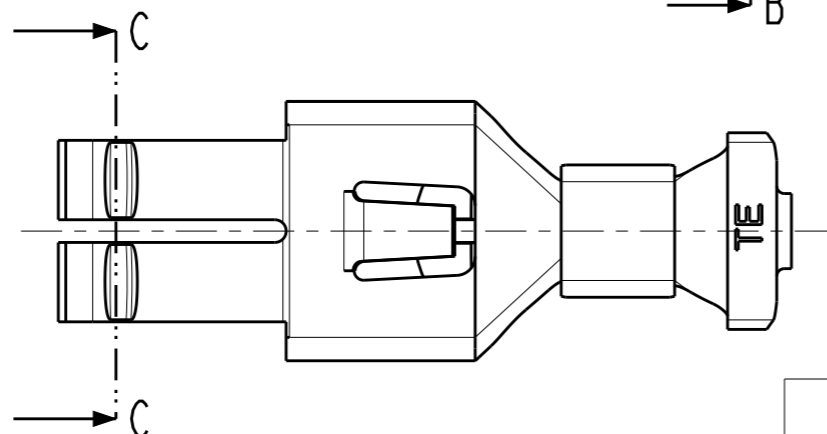
SECTION C-C



SECTION A-A



SECTION B-B



**ATTENTION!**  
 ONLY FOR 3-925575-1, 3-925575-2,  
 3-927865-1, 3-927865-4,  
 3-925612-1  
 OTHER DIMENSION SEE SHEET 1

REMARK	INSUL. RANGE	WIRE RANGE	U	V	W	X	Y	Z	FINISH	MATERIAL	PART NO.	REV.
	∅ 3.0 - 4.3 mm	1.0 - 2.5 mm <sup>2</sup>	5.2 +0.5 /-0.1	5.0 ±0.3	∅ 4.0 ±0.2	3.5 ±0.3	3.5 ±0.3	∅ 2.0 ±0.2	TIN	CuZn30	3-925612-1	A
	∅ 2.0 - 3.3 mm	0.5 - 1.0 mm <sup>2</sup>	4.4 ±0.2	4.6 ±0.2	∅ 2.4 ±0.2	2.6 ±0.2	2.8 ±0.2	∅ 1.1 ±0.2	-	Brass	3-927865-4	A
	∅ 2.0 - 3.0 mm	1.0 - 1.5 mm <sup>2</sup>	4.1 ±0.2	4.3 ±0.2	∅ 2.8 ±0.2	3.0 ±0.2	3.2 ±0.2	∅ 1.4 ±0.2	TIN	CuSn4	3-925575-2	A
									TIN	CuZn30	3-925575-1	A

CROSS-SECTION IN mm <sup>2</sup>		
3-925575-X	3-927865-X	3-925612-X
0.5 + 0.5	0.5	0.5 + 0.5
0.75 + 0.5	0.5 + 0.5	0.5 + 0.75
1.0	0.75	0.5 + 1.0
1.5	1.0	0.75 + 0.75
		1.0
		1.5
		2.0
		2.5

THIS DRAWING IS A CONTROLLED DOCUMENT.

DIMENSIONS:	TOLERANCES UNLESS OTHERWISE SPECIFIED:
mm	0 PLC ±-
	1 PLC ±-
	2 PLC ±0.2
	3 PLC ±-
	4 PLC ±-
	ANGLES ±1°
MATERIAL	FINISH
-	-
-	-

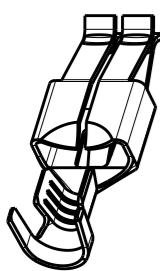
DWN	03 MRZ 1988
GOERKE	
CHK	07 MAZ 1988
BITSCH	
APVD	-
PRODUCT SPEC	-
APPLICATION SPEC	-
WEIGHT	0.528
CUSTOMER DRAWING	

**STE** TE Connectivity

NAME: STANDARD-TIMER CONTACT

SIZE	CAGE CODE	DRAWING NO	RESTRICTED TO
A3	00779	926973	-

SCALE: 5:1 SHEET: 3 OF 3 REV: D4



SCALE 2:1