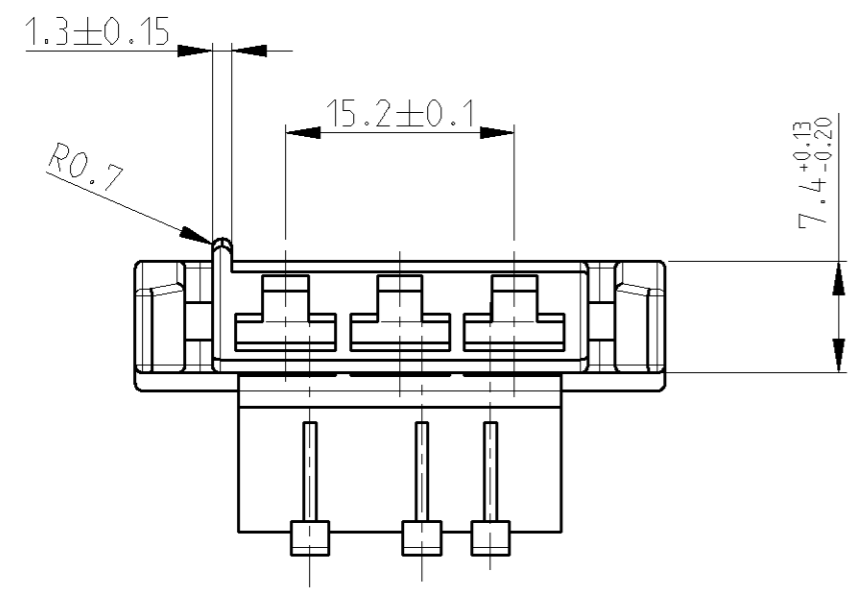
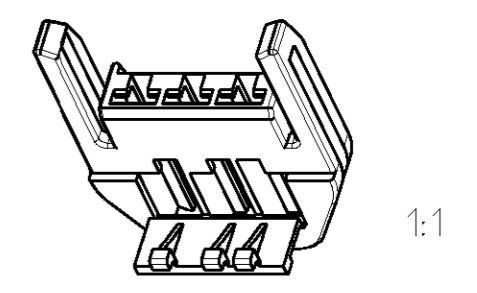
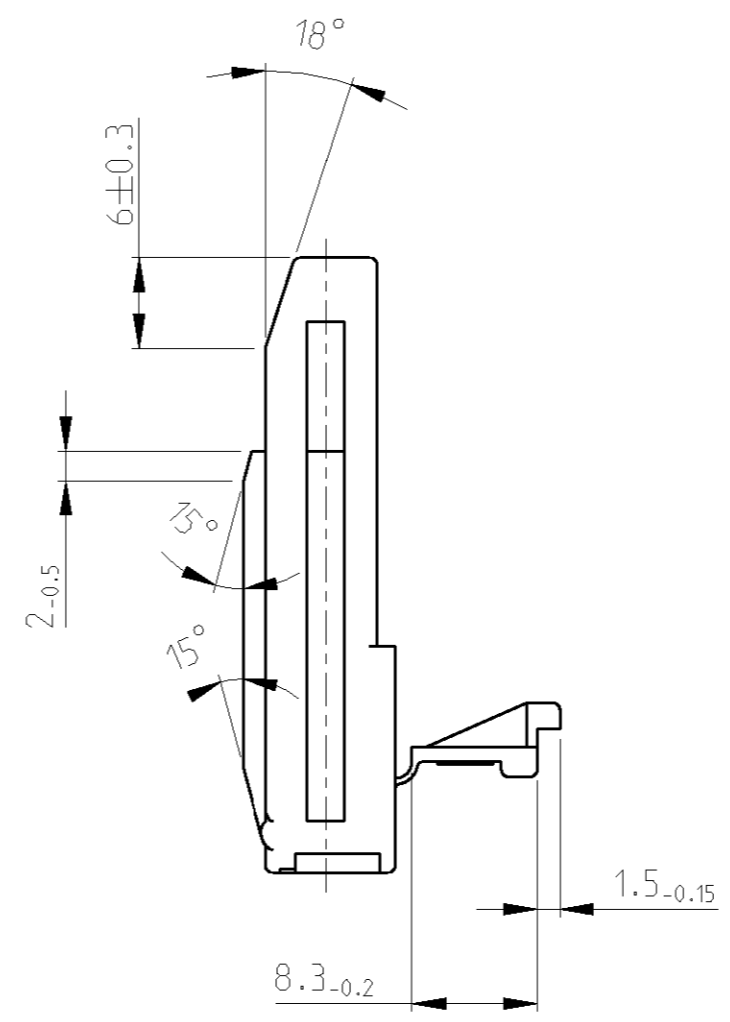
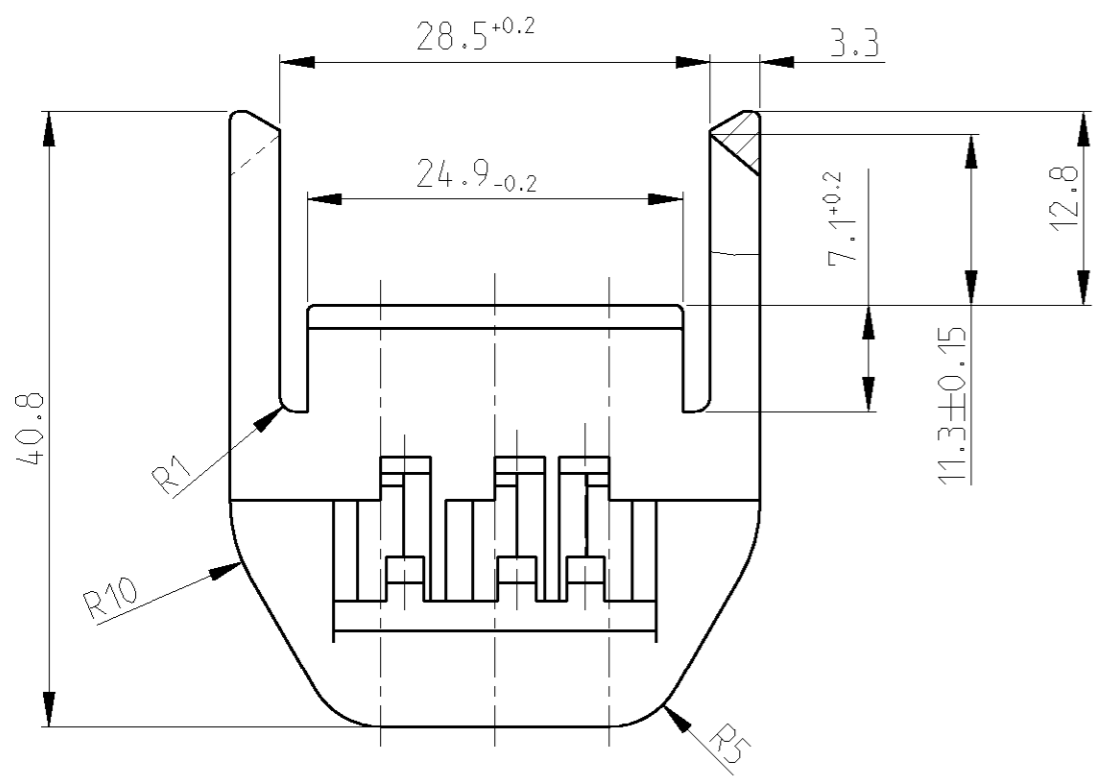
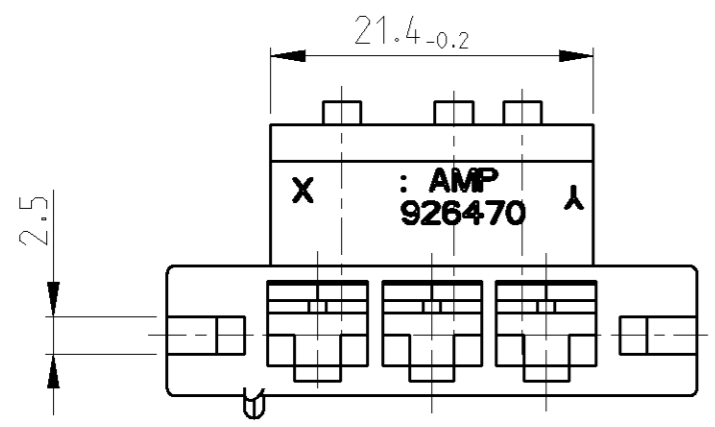


THIS DRAWING IS UNPUBLISHED. RELEASED FOR PUBLICATION 2005
 © COPYRIGHT 2005 BY TYCO ELECTRONICS CORPORATION. ALL RIGHTS RESERVED.

LOC	DIST	REVISIONS					
		P	LTR	DESCRIPTION	DATE	DWN	APVD
A1	-		L1	NEW CAD-DRAWING CREATED	20MAY2005	Abr	C.G.



ALL RADII 0.5 EXCEPT AS NOTED
 Unbemaßte Radien R 0.5

BLACK	Polyamid 6.6 ZYTEL 408	926470-1	L
COLOR	MATERIAL	PART-NUMBER	REV.

THIS DRAWING IS A CONTROLLED DOCUMENT FOR TYCO ELECTRONICS CORPORATION. IT IS SUBJECT TO CHANGE AND THE CONTROLLING ENGINEERING ORGANIZATION SHOULD BE CONTACTED FOR THE LATEST REVISION.		DWN Abraham.G. 20MAY2005	tyco tyco Electronics AMP GmbH	
		CHK Goepfel.C. 23MAY2005	Electronics D - 64625 Bensheim	
DIMENSIONS: mm		APVD -	NAME 3 POS. POSITIVE MATE HINGED REC. HSG. 3 pol. Pos. Mate Geh. f. Flachsteckhülse	
TOLERANCES UNLESS OTHERWISE SPECIFIED: 0 PLC ± 1 PLC ± 2 PLC ± ±0.2 3 PLC ± 4 PLC ± ANGLES ±1°30'		PRODUCT SPEC -	RESTRICTED TO -	
MATERIAL -		APPLICATION SPEC -	SIZE A3	CAGE CODE 00779
		WEIGHT 4.3 g	DRAWING NO 926470	REV L1
CUSTOMER DRAWING			SCALE 2:1	SHEET 1 OF 1