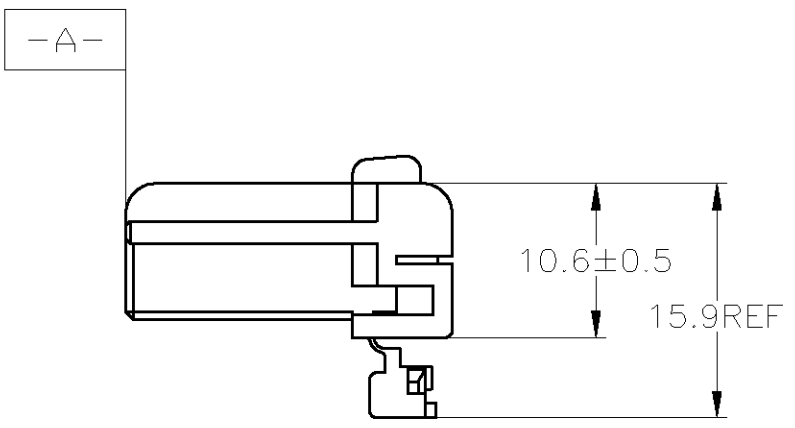
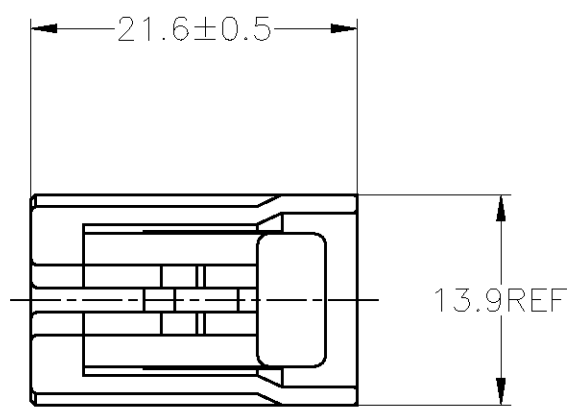
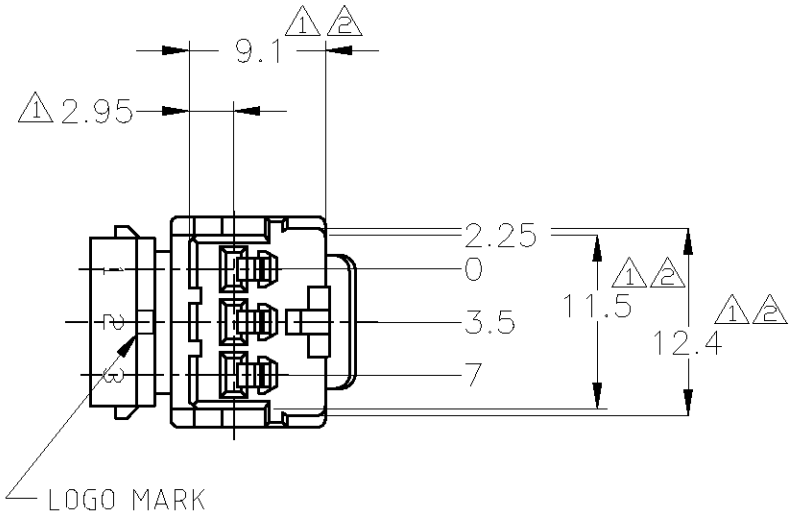


THIS DRAWING IS UNPUBLISHED. RELEASED FOR PUBLICATION
 © COPYRIGHT - By - ALL RIGHTS RESERVED.

LOC	DIST	REVISIONS					
J	-	P	LTR	DESCRIPTION	DATE	DWN	APVD
		D3	REVISED	ECR-12-021403	12DEC2012	TS	KB



- ▲ -A- 面より2mmの範囲で測定
- ▲ 相手ハウジングと所定の機能を満足して嵌合できること
- 3. 内装するリセプタクルコンタクトは、型番173630及び173631
- ▲ TO BE MEASURED WITHIN 2mm FROM -A-
- ▲ TO BE MATE WITH CAP HOUSING SMOOTHLY
- 3. APPLICABLE RECEPTACLE CONTACT PART NUMBERS 173630, 173631

V-2	自然色 (NATURAL)	1-174921-1
HB	黄 (YELLOW)	174921-7
	灰 (GRAY)	174921-6
	青 (BLUE)	174921-5
	緑 (GREEN)	174921-4
	黒 (BLACK)	174921-2
	自然色 (NATURAL)	174921-1
使用材料難燃グレード (FLAMMABILITY OF MATERIAL)		色 (COLOR) 型番 (PART NUMBER)

THIS DRAWING IS A CONTROLLED DOCUMENT.

DIMENSIONS: 単位: 耗 mm	TOLERANCES UNLESS OTHERWISE SPECIFIED: 一般公差
	0 PLC ±-
	1 PLC ±-
	2 PLC ±-
	3 PLC ±-
	4 PLC ±-
ANGLES ±-	

一般公差 GENERAL TOLERANCE
0<* < 10 : ±0.2
10<* < 30 : ±0.25
30<* < 100 : ±0.3
ANGLES : ±3°

MATERIAL 材料 PBT	FINISH 仕上 -
-----------------------	-------------------

DWN S.FUJITA 15JUL08	TE Connectivity
CHK T.SHINOHARA 15JUL08	
APVD K.BETSUI 15JUL08	
PRODUCT SPEC 製品規格 108-5216, 5264	
APPLICATION SPEC 取付適用規格 -	NAME 名称 070 SERIES MULTILOCK CONNECTOR 3POSITION PLUG HOUSING
WEIGHT 1.9g	SIZE A3
CUSTOMER DRAWING	

APVD K.BETSUI 15JUL08	NAME 名称 070 SERIES MULTILOCK CONNECTOR 3POSITION PLUG HOUSING
SIZE A3	CAGE CODE 00779
DRAWING NO 番号 C-174921	RESTRICTED TO -
SCALE 尺度 2:1	SHEET 1 OF 1
REV D3	