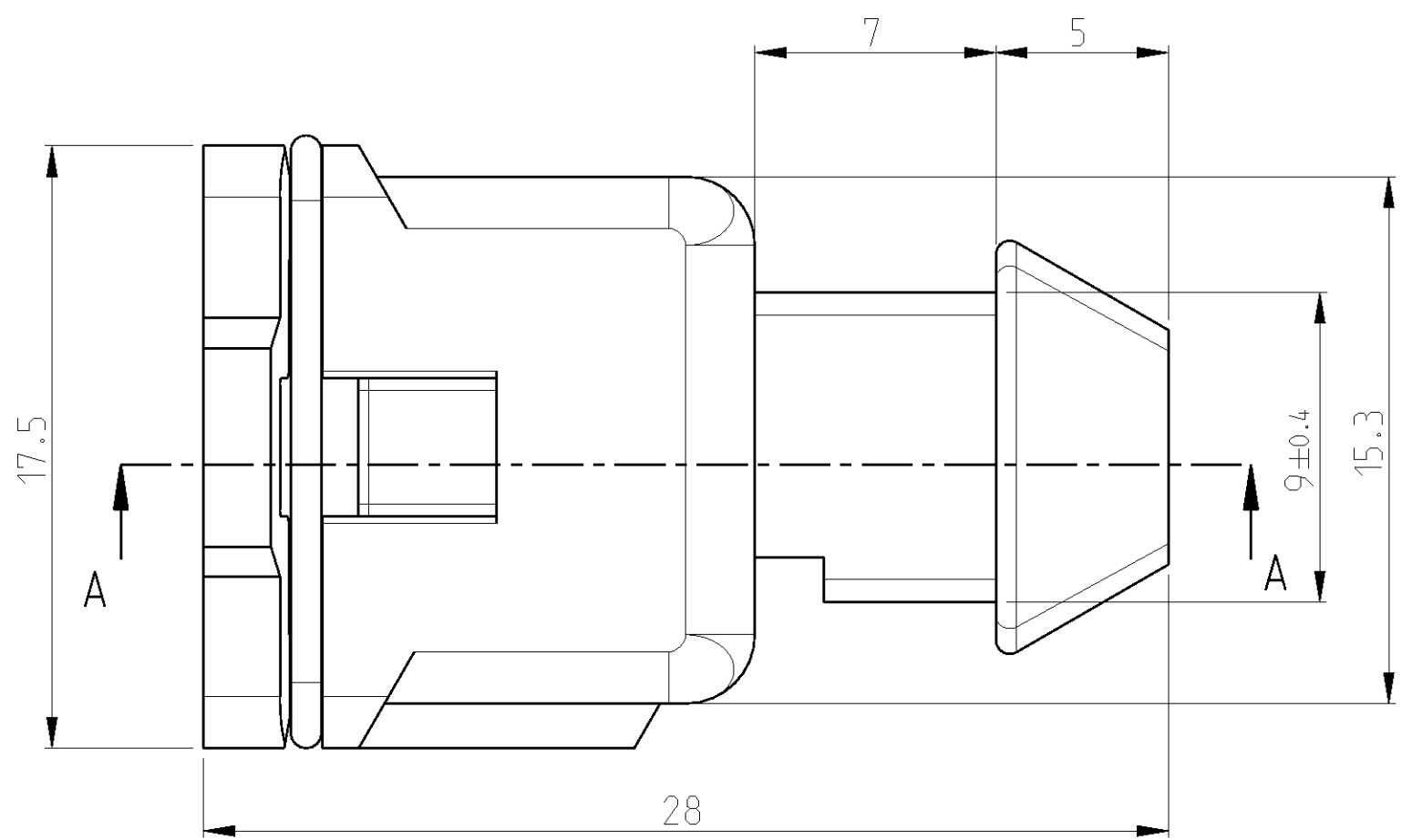
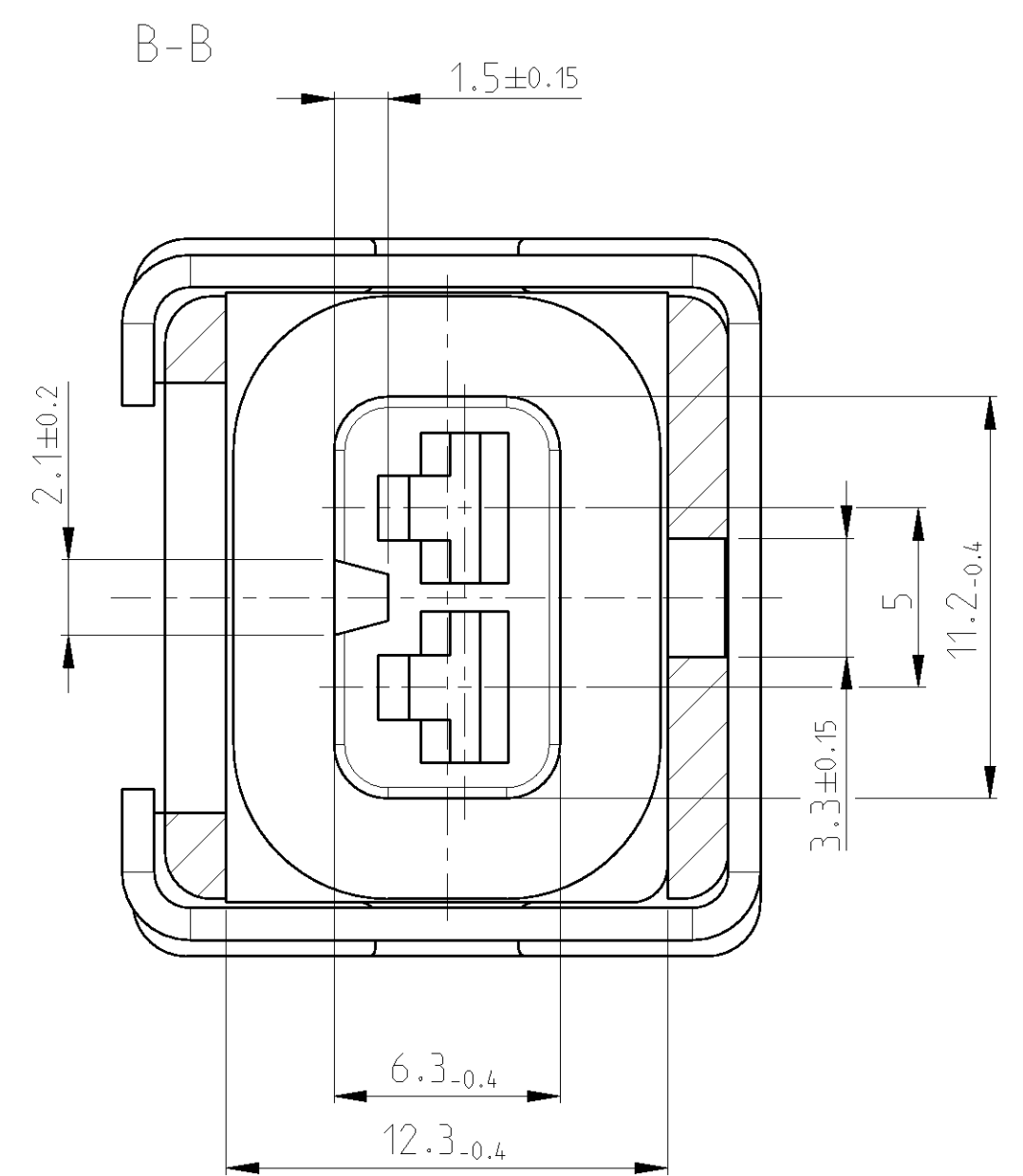
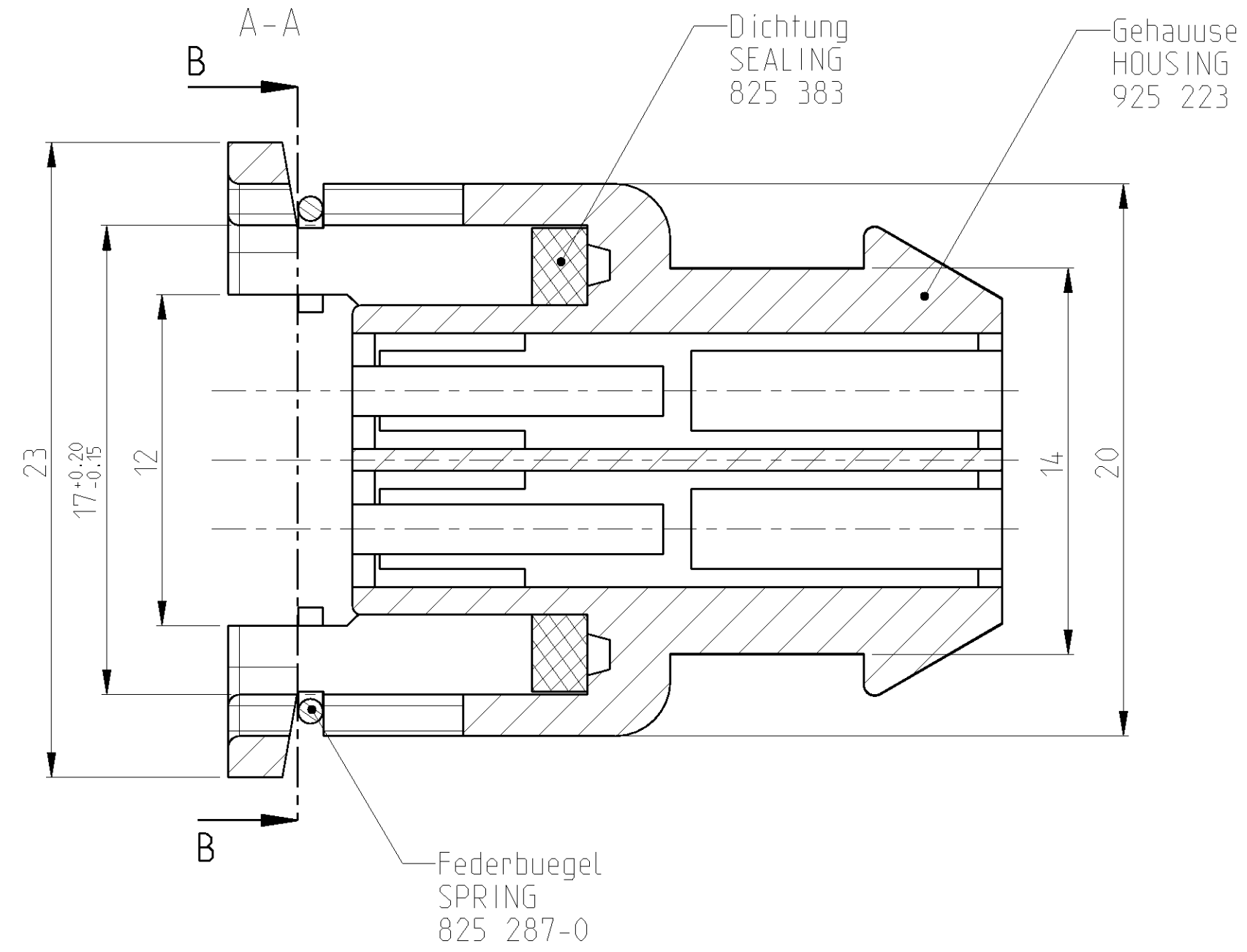


THIS DRAWING IS UNPUBLISHED. RELEASED FOR PUBLICATION 2012
 © COPYRIGHT 2012 BY - ALL RIGHTS RESERVED.

LOC		DIST		REVISIONS			
P	LTR	DESCRIPTION	DATE	DWN	APVD		
A1	-	G3	Dimensions new attracted	22NOV2012	Ho.	Krauss	



3-825 414-6	BROWN	PA 6.6 GV 30	825 383-4
3-825 414-5	BLACK	PA 6.6 GV 30	825 383-4
3-825 414-3	BLUE	PA 6.6 GV 30	825 383-4
3-825 414-2	GREEN	PA 6.6 GV 30	825 383-4
3-825 414-1	GREY	PA 6.6 GV 30	825 383-4
3-825 414-0	CLEAR	PA 6.6 GV 30	825 383-4
2-825 414-6	BROWN	PA 6.6 GV 13	825 383-4
2-825 414-5	BLACK	PA 6.6 GV 13	825 383-4
2-825 414-3	BLUE	PA 6.6 GV 13	825 383-4
2-825 414-2	GREEN	PA 6.6 GV 13	825 383-4
2-825 414-1	GREY	PA 6.6 GV 13	825 383-4
2-825 414-0	CLEAR	PA 6.6 GV 13	825 383-4
1-825 414-6	BROWN	PA 6.6 GV 30	825 383-1
1-825 414-5	BLACK	PA 6.6 GV 30	825 383-1
1-825 414-3	BLUE	PA 6.6 GV 30	825 383-1
1-825 414-2	GREEN	PA 6.6 GV 30	825 383-1
1-825 414-1	GREY	PA 6.6 GV 30	825 383-1
1-825 414-0	CLEAR	PA 6.6 GV 30	825 383-1
825 414-6	BROWN	PA 6.6 GV 13	825 383-1
825 414-5	BLACK	PA 6.6 GV 13	825 383-1
825 414-3	BLUE	PA 6.6 GV 13	825 383-1
825 414-2	GREEN	PA 6.6 GV 13	825 383-1
825 414-1	GREY	PA 6.6 GV 13	825 383-1
825 414-0	CLEAR	PA 6.6 GV 13	825 383-1
ASSY NO.	COLOR	HSG. MATERIAL	HSG. SEALING NO.

THIS DRAWING IS A CONTROLLED DOCUMENT.

DWN Haas, C. 18JUL2006	 TE Connectivity ASSEMBLY FOR 2POS. FEMALE HSG. FOR JUNIOR-TIMER CONTACT 2 pol. Buchsengeh. fuer JT Kontakt	
CHK Stredak, F. 23AUG2006		
APVD Bleicher, M. 25AUG2006		
PRODUCT SPEC		
DIMENSIONS: mm	TOLERANCES UNLESS OTHERWISE SPECIFIED:	NAME
0 PLC ±	1 PLC ±	SIZE
2 PLC ±	3 PLC ±	CAGE CODE
4 PLC ±	ANGLES ±°	DRAWING NO
FINISH		RESTRICTED TO
MATERIAL SEE TABLE	WEIGHT -	A2 00779
	Customer Drawing	SCALE 5:1
		SHEET 1 OF 1
		REV G3