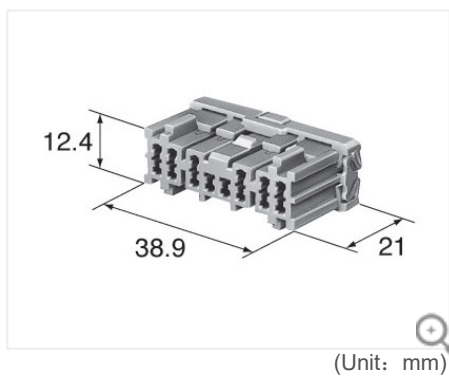


## Product information



3D drawings

[Contact us for products](#)

# 6098-0253

This is old series

HD series

Housing Inline

2.3mm(090)

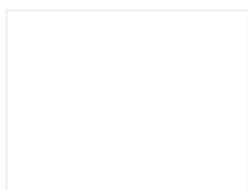
Sealed/Unsealed	unsealed
Male/Female	F
Way	14
Mating parts	<u>6098-0254</u> (HD series)

Materials	PBT
Color	Light Gray

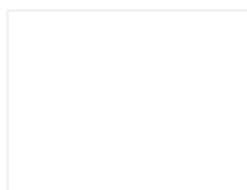
Contact resistance	Initial	3mΩ Max.
	after durability tests	10mΩ Max.
Leak current	3mA Max.	
Insulation resistance	100MΩ Min.	

## HD series related products

Terminal (2)



2.3mm 8240-4412



2.3mm 8240-4422