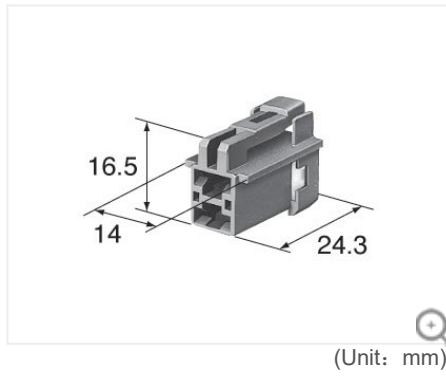


## Product information



3D drawings

[Contact us for products](#)

# 6098-0230

**This is old series**

HD series

Housing Inline

6.0mm(250)

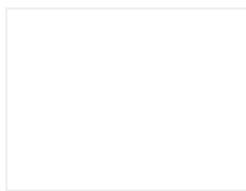
Sealed/Unsealed	unsealed
Male/Female	F
Way	2
Mating parts	<u>6098-0228</u> (HD series)

Materials	PBT
Color	Brown

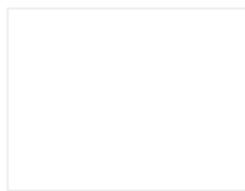
Contact resistance	Initial	3mΩ Max.
	after durability tests	6mΩ Max.
Leak current	1mA Max.	
Insulation resistance	100MΩ Min.	

## HD series related products

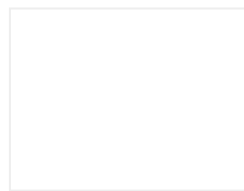
Terminal (3)



6.0mm 1500-0068



6.0mm 8240-4140



6.0mm 8240-4220