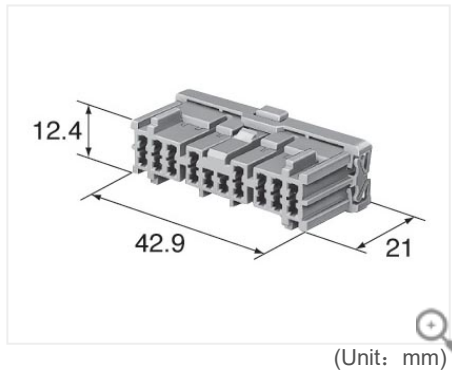


Product information



3D drawings

[Contact us for products](#)

6098-0257

This is old series

HD series

Housing Inline

2.3mm(090)

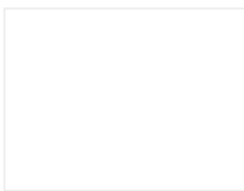
Sealed/Unsealed	unsealed
Male/Female	F
Way	18
Mating parts	<u>6098-0258</u> (HD series)

Materials	PBT
Color	Light Gray

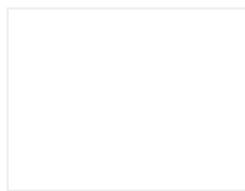
Contact resistance	Initial	3mΩ Max.
	after durability tests	10mΩ Max.
Leak current	3mA Max.	
Insulation resistance	100MΩ Min.	

HD series related products

Terminal (2)



2.3mm 8240-4412



2.3mm 8240-4422