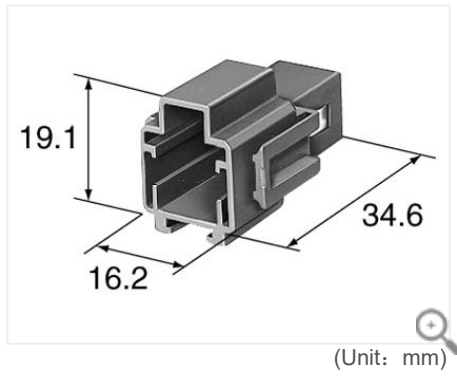


## Product information



3D drawings

[Contact us for products](#)

# 6098-0228

**This is old series**

HD series

Housing Inline Bracket fixation

6.0mm(250)

Sealed/Unsealed	unsealed
Male/Female	M
Way	2
Mating parts	<u>6098-0230</u> (HD series)

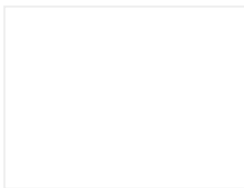
Materials	PBT
Color	Brown

Contact resistance	Initial	3mΩ Max.
	after durability tests	6mΩ Max.
Leak current	1mA Max.	
Insulation resistance	100MΩ Min.	

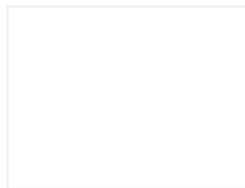
Note	Block type
------	------------

## HD series related products

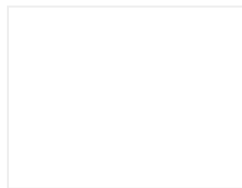
Terminal (3)



6.0mm 8230-4040



6.0mm 8230-4050



6.0mm 8230-4060