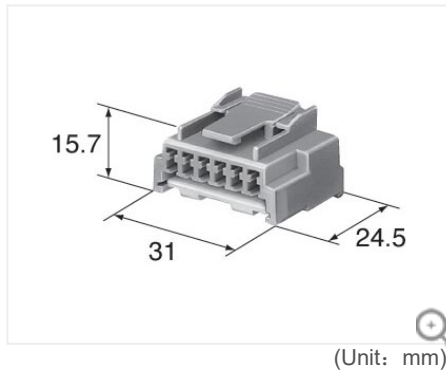


Product information



[Contact us for products](#)

6159-7206

This is old series

MR series

Housing For FPC

FPC

Sealed/Unsealed	unsealed
Way	6

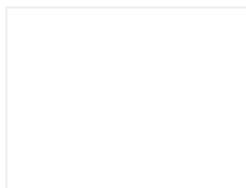
Materials	PBT
Color	Light Gray

Contact resistance	Initial	3mΩ Max.
	after durability tests	50mΩ Max.
Leak current	3mA Max.	
Insulation resistance	100MΩ Min.	

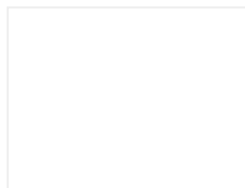
Note	shutter: Built-in on the connector housing.
------	---

MR series related products

Terminal (2)



[FPC 8250-4082](#)



[FPC 8250-4102](#)