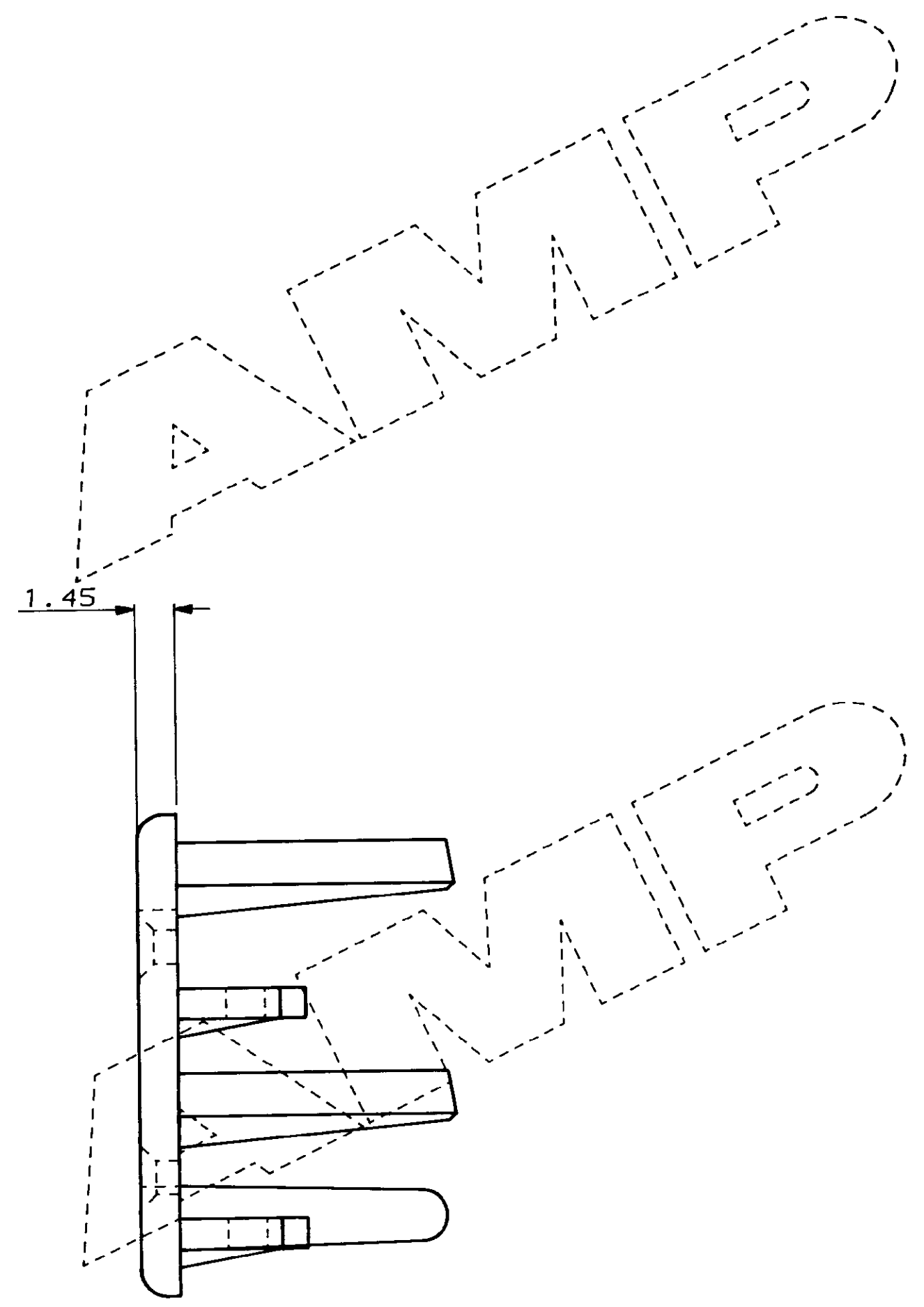
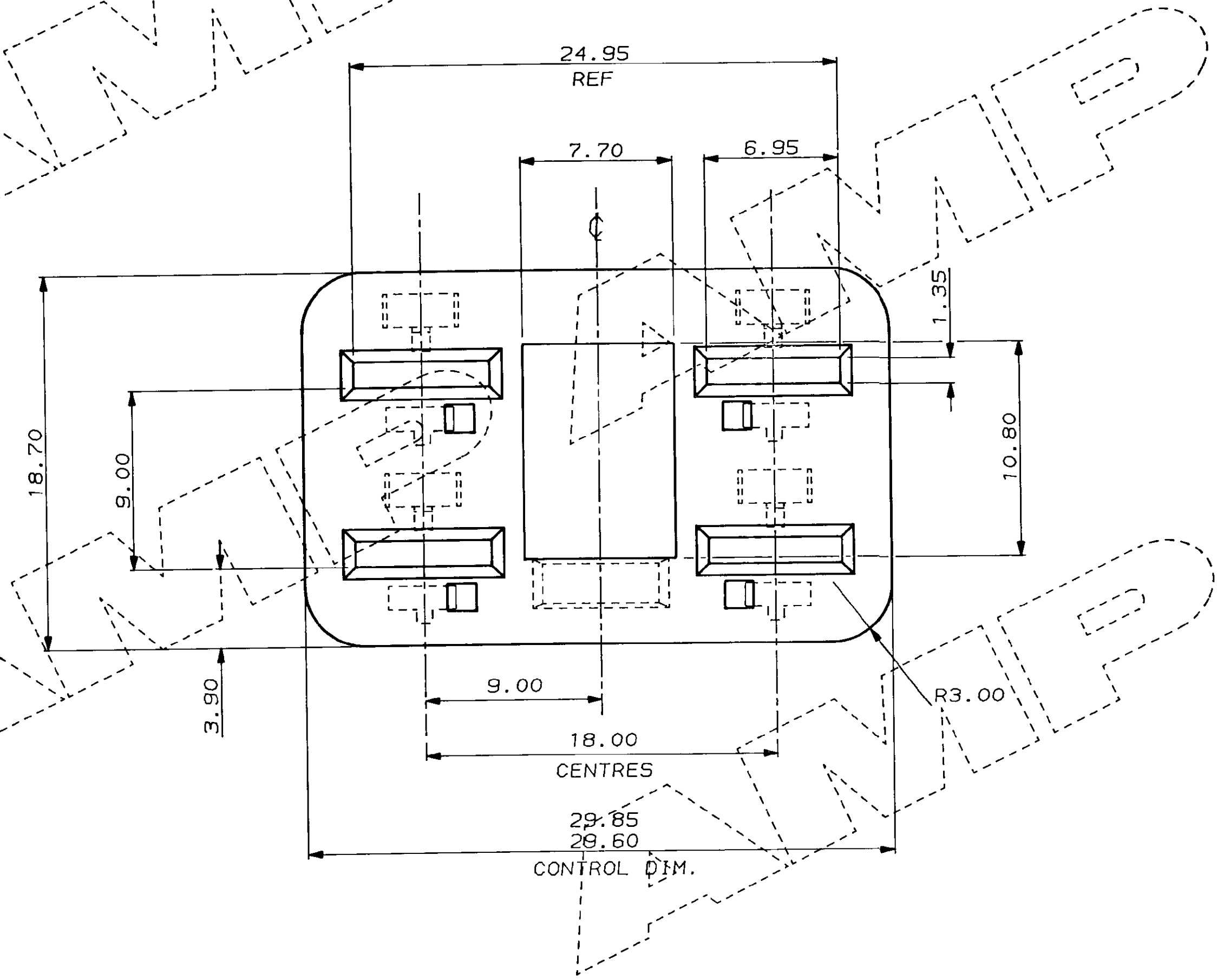
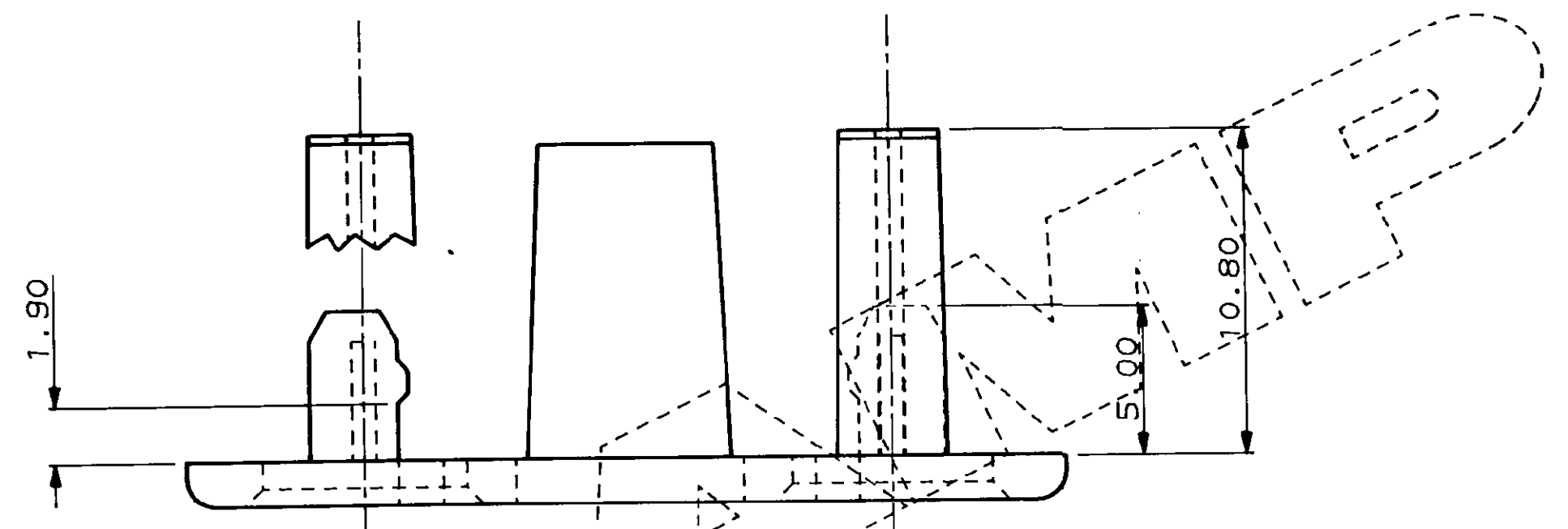
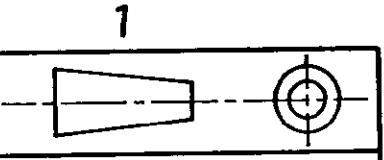


C.A.D. FILE CODE
S.C344087.B

DO NOT SCALE DIMENSIONS IN MM.



WHITE	NYLON 6.6	344087-1
FINISH	MATERIAL	PART NUMBER
CUSTOMER DWG FOR REFERENCE ONLY	© COPYRIGHT 19 87 BY AMP OF GREAT BRITAIN LTD. ALL INTERNATIONAL RIGHTS RESERVED. ALL PRODUCTS MAY BE COVERED BY BRITISH AND FOREIGN PATENTS AND/OR PATENTS PENDING.	RELEASED FOR PUBLICATION 2.6.87
TOLERANCES UNLESS OTHERWISE STATED: DEC ± 0.5 ANGLES ± 1°	DR. R. J. S. 2.6.87	APP. B. J. 2.6.87
ADDED CON. DIM. FINGERS MODIFIED	C5375 28.9.88	NAME A/BACKOUT FOR 4 WAY REC. HSG. ECONOSEAL 3 HIGH CURRENT
UPDATED	C4996 12.7.88	AMP TERMINAL HOUSE STANMORE MIDDXX. of Great Britain Ltd.
REL. FOR PROD.	C4891 9.3.88	SCALE LOC SIZE DWG.No.
APPROVED	ECN DATE	5/1 E A2 C344087
		REV SHEET B 1/1