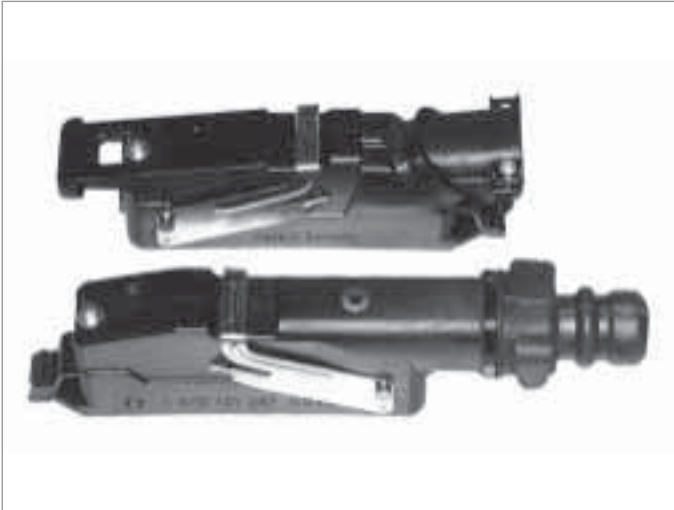


High-way plug-in connections

55-way plug-in connection

General information

Illustration



Features

- ▶ Sealed plug-in connection
- ▶ Secondary locking possible
- ▶ Engine-compartment installation
- ▶ Wide range of versions for different installation conditions

Technical description

The 55-way plug-in connection is used for the connection of Motronic control units.
 Two grip-molding designs permit application-specific versions. Sealing by way of an optional rubber grommet at the cable outlet can be dispensed with for less-exacting sealing requirements. To make the connection, the wiring-harness connector is swivelled in and locked with a steel lever.

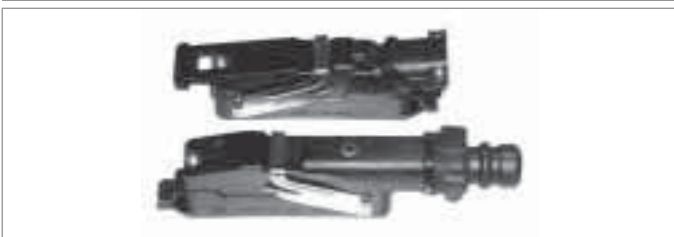
Technical features

- ▶ Vibration resistance: 2.8 g
- ▶ Temperature range: -40...+85° C
- ▶ Degree of protection: IP 30, IP 54K
- ▶ Connection cross-sections: 0.35...2.5 mm²
- ▶ Suitable contacts: 2.8 mm flat spring contact
- ▶ Contact spacing/posts: 5 mm/2.8 mm

All currently applicable quotation drawings and technical customer documentation for the 55-way plug-in connection product category can be found in the internet under www.bosch-connectors.com.

55-way wiring-harness connector

Illustration



Product information

Product code	VHP-55P
Designation	55-way wiring-harness connector
Part number	0 928 400 205
Quotation drawing (assembly)	A 928 000 144
Quotation drawing (component)	A 928 000 146

Technical data

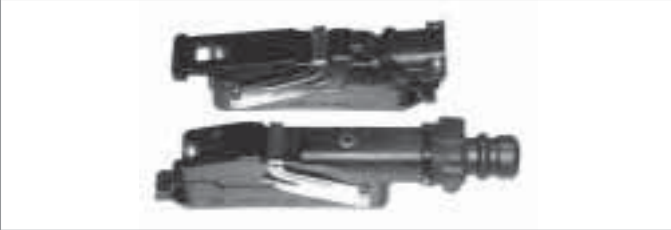
No. of poles	55
Type of seal (plug)	By an optional rubber grommet at cable outlet
Type of seal (cable)	By an optional rubber grommet at cable outlet
Type of locking (plug)	With steel lever
Vibration resistance	3 g
Temperature range, min./max.	-40 / 85 °C
Contact spacing	5 mm
Row spacing	2.80 mm
Applications	Bodywork attachment
Degree of protection	IP30, IP54K

High-way plug-in connections

55-way plug-in connection

55-way wiring-harness connector

Illustration



Product information

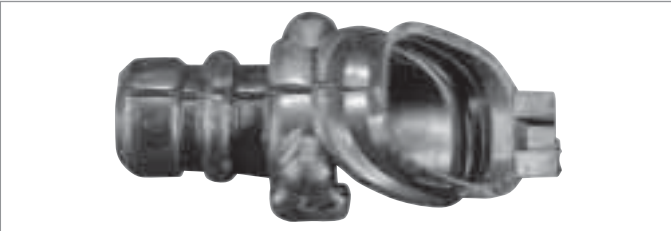
Product code	VHP-55P
Designation	55-way wiring-harness connector
Part number	0 928 400 261
Quotation drawing (assembly)	A 928 000 144
Quotation drawing (component)	D 281 010 694

Technical data

No. of poles	55
Type of seal (plug)	By an optional rubber grommet at cable outlet
Type of seal (cable)	By an optional rubber grommet at cable outlet
Type of locking (plug)	With steel lever
Vibration resistance	3 g
Temperature range, min./max.	-40 / 85 °C
Contact spacing	5 mm
Row spacing	2.80 mm
Applications	Bodywork attachment
Degree of protection	IP30, IP54K

Sleeve

Illustration



Product information

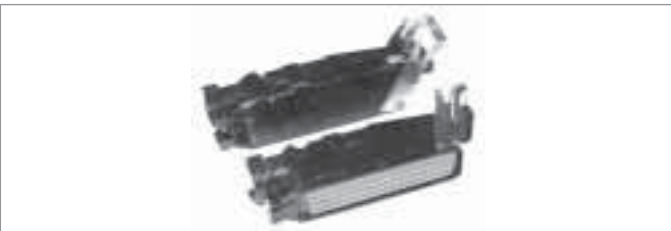
Product code	VDI-TUE
Designation	Protective cap / sleeve
Part number	1 928 300 245
Quotation drawing (component)	C 261 200 678

Technical data

Color (FA)	Black
Dimensions (L x W x H)	x x 22.00 mm

55-way seal

Illustration



Product information

Product code	VDI-DI
Designation	Seal
Part number	1 928 300 246
Quotation drawing (assembly)	A 928 000 144
Quotation drawing (component)	C 261 200 474

Technical data

No. of poles	55
Color (FA)	Black
Secondary lock	None
Dimensions (L x W x H)	100.00 x 19.00 x 0.40 mm

High-way plug-in connections

55-way plug-in connection

Sleeve > 20 mm

Illustration



Product information

Product code	VDI-TUE
Designation	Protective cap / sleeve
Part number	1 928 300 271
Quotation drawing (component)	C 261 200 535

Technical data

Strap

Illustration



Product information

Product code	VAFK
Designation	General connection systems, external customers
Part number	1 928 401 280
Quotation drawing (component)	C 280 208 198

Technical data

Color (FA)	Black
Secondary lock	None
Dimensions (L x W x H)	126.00 x 2.80 x 4.00 mm
Other features (SO)	Lock, parallel

Cable clamp

Illustration



Product information

Product code	VHP-55P
Designation	55-way wiring-harness connector
Part number	1 928 401 299
Quotation drawing (assembly)	A 928 000 144
Quotation drawing (component)	C 261 200 476


Technical data

Color (FA)	Black
Secondary lock	None
Dimensions (L x W x H)	34.20 x 33.00 x 11.50 mm

High-way plug-in connections


55-way plug-in connection

Pre-assembled 55-way grip molding

Illustration	
	
Product information	
Product code	VHP-55P
Designation	55-way wiring-harness connector
Part number	1 928 401 300
Quotation drawing (assembly)	A 928 000 144
Quotation drawing (component)	D 928 000 70A


Technical data	
No. of poles	55
Color (FA)	Black
Encoding	4
Outgoing cable direction (KR)	Outgoing cable above encoding lug
Secondary lock	None
Type of locking (plug)	With steel lever
Vibration resistance	3 g
Dimensions (L x W x H)	146.00 x 33.00 x 46.00 mm
Temperature range, min./max.	-40 / 85 °C
Contact spacing	5 mm
Applications	Bodywork attachment

Pre-assembled 55-way grip molding

Illustration	
	
Product information	
Product code	VHP-55P
Designation	55-way wiring-harness connector
Part number	1 928 401 308
Quotation drawing (assembly)	A 928 000 029
Quotation drawing (component)	D 928 000 70A

Technical data	
No. of poles	55
Color (FA)	Black
Encoding	12
Outgoing cable direction (KR)	Outgoing cable above encoding lug
Secondary lock	None
Type of locking (plug)	With steel lever
Vibration resistance	3 g
Dimensions (L x W x H)	146.00 x 33.00 x 46.00 mm
Temperature range, min./max.	-40 / 85 °C
Contact spacing	5 mm
Row spacing	2.80 mm
Applications	Bodywork attachment

Pre-assembled 55-way grip molding

Illustration	
	
Product information	
Product code	VHP-55P
Designation	55-way wiring-harness connector
Part number	1 928 401 310
Quotation drawing (assembly)	A 928 000 029
Quotation drawing (component)	D 281 000 70A

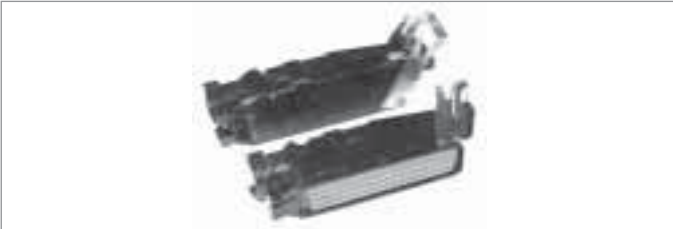
Technical data	
No. of poles	55
Color (FA)	Black
Encoding	10
Outgoing cable direction (KR)	Outgoing cable above encoding lug
Secondary lock	None
Type of locking (plug)	With steel lever
Vibration resistance	3 g
Dimensions (L x W x H)	146.00 x 33.00 x 46.00 mm
Temperature range, min./max.	-40 / 85 °C
Contact spacing	5 mm
Row spacing	2.80 mm
Applications	Bodywork attachment

High-way plug-in connections

55-way plug-in connection

55-way contact carrier

Illustration



Product information

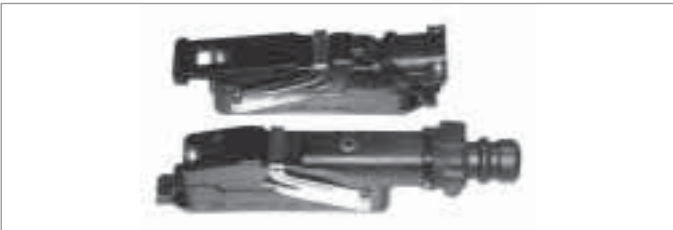
Product code	VHP-55P
Designation	55-way wiring-harness connector
Part number	1 928 401 316
Quotation drawing (assembly)	A 928 000 144 + A 928 000 146
Quotation drawing (component)	D 261 200 473

Technical data

No. of poles	55
Color (FA)	Neutral
Secondary lock	Locking plate
Type of contact	JT/JPT
Type of seal (plug)	By an optional rubber grommet at cable outlet
Type of seal (cable)	By an optional rubber grommet at cable outlet
Type of locking (plug)	With steel lever
Vibration resistance	3 g
Dimensions (L x W x H)	104.00 x 22.00 x 21.80 mm
Temperature range, min./max.	-40 / 85 °C
Contact spacing	5 mm
Row spacing	3.00 mm
Applications	Bodywork attachment
Degree of protection	IP 30

55-way wiring-harness connector

Illustration



Product information

Product code	VHP-55P
Designation	55-way wiring-harness connector
Part number	1 928 401 383
Quotation drawing (assembly)	A 928 000 146
Quotation drawing (component)	D 928 000 71A

Technical data

No. of poles	55
Type of seal (plug)	Optional rubber grommet at cable outlet
Type of seal (cable)	Optional rubber grommet at cable outlet
Type of locking (plug)	With steel lever
Vibration resistance	3 g
Temperature range, min./max.	-40 / 85 °C
Contact spacing	5 mm
Row spacing	2.80 mm
Applications	Bodywork attachment
Degree of protection	IP30, IP54K

Pre-assembled 55-way grip molding

Illustration



Product information

Product code	VHP-55P
Designation	55-way wiring-harness connector
Part number	1 928 401 387
Quotation drawing (assembly)	A 928 000 146
Quotation drawing (component)	D 928 000 71A

Technical data

No. of poles	55
Color (FA)	Black
Encoding	12
Outgoing cable direction (KR)	Outgoing cable opposite encoding lug
Secondary lock	None
Type of locking (plug)	With steel lever
Vibration resistance	3 g
Dimensions (L x W x H)	160.00 x 33.00 x 45.00 mm
Temperature range, min./max.	-40 / 85 °C
Contact spacing	5 mm
Row spacing	2.80 mm
Applications	Bodywork attachment

High-way plug-in connections

55-way plug-in connection

Pre-assembled 55-way grip molding

Illustration



Product information

Product code	VHP-55P
Designation	55-way wiring-harness connector
Part number	1 928 401 389
Quotation drawing (assembly)	A 928 000 146
Quotation drawing (component)	D 281 010 733

Technical data

No. of poles	55
Color (FA)	Black
Encoding	10
Outgoing cable direction (KR)	Outgoing cable opposite encoding lug
Secondary lock	None
Type of locking (plug)	With steel lever
Vibration resistance	3 g
Dimensions (L x W x H)	160.00 x 33.00 x 45.00 mm
Temperature range, min./max.	-40 / 85 °C
Contact spacing	5 mm
Row spacing	2.80 mm
Applications	Bodywork attachment

Cable clamp

Illustration



Product information

Product code	VHP-55P
Designation	55-way wiring-harness connector
Part number	1 928 401 403
Quotation drawing (assembly)	A 928 000 144
Quotation drawing (component)	C 261 200 534

Technical data

Secondary lock	None
Type of seal (plug)	Optional rubber grommet at cable outlet
Type of seal (cable)	Optional rubber grommet at cable outlet
Type of locking (plug)	With steel lever
Vibration resistance	3 g
Dimensions (L x W x H)	17.00 x 33.00 x 12.50 mm
Temperature range, min./max.	-40 / 85 °C
Contact spacing	5 mm
Row spacing	2.80 mm
Applications	Bodywork attachment

Clamp

Illustration



Product information

Product code	VHP-55P
Designation	55-way wiring-harness connector
Part number	1 928 401 453
Quotation drawing (assembly)	A 928 000 144
Quotation drawing (component)	C 261 200 649

Technical data

Color (FA)	Black
Secondary lock	None
Type of seal (plug)	Optional rubber grommet at cable outlet
Type of seal (cable)	Optional rubber grommet at cable outlet
Type of locking (plug)	With steel lever
Vibration resistance	3 g
Dimensions (L x W x H)	34.20 x 33.00 x 11.50 mm
Temperature range, min./max.	-40 / 85 °C
Contact spacing	5 mm
Row spacing	2.80 mm
Applications	Bodywork attachment
Degree of protection	IP30, IP54K

High-way plug-in connections

55-way plug-in connection

Cable clamp

Illustration



Product information

Product code	VHP-55P
Designation	55-way wiring-harness connector
Part number	1 928 401 460
Quotation drawing (assembly)	A 928 000 144
Quotation drawing (component)	C 261 200 650

Technical data

Color (FA)	Black
Secondary lock	None
Type of seal (plug)	Optional rubber grommet at cable outlet
Type of seal (cable)	Optional rubber grommet at cable outlet
Type of locking (plug)	With steel lever
Vibration resistance	3 g
Dimensions (L x W x H)	17.00 x 33.00 x 12.50 mm
Temperature range, min./max.	-40 / 85 °C
Contact spacing	5 mm
Row spacing	2.80 mm
Applications	Bodywork attachment

55-way contact carrier

Illustration



Product information

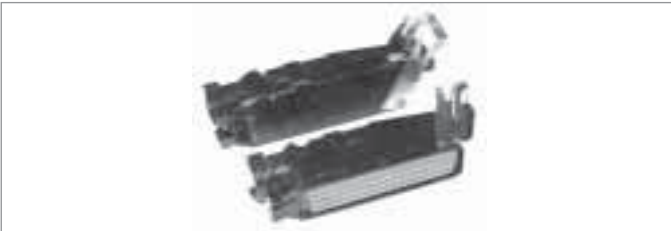
Product code	VHP-55P
Designation	55-way wiring-harness connector
Part number	1 928 401 625
Quotation drawing (assembly)	A 928 000 144 + A 928 000 146
Quotation drawing (component)	D 261 204 134

Technical data

No. of poles	55
Color (FA)	Black
Secondary lock	Locking plate
Type of contact	JT/JPT
Type of seal (plug)	Optional rubber grommet at cable outlet
Type of seal (cable)	Optional rubber grommet at cable outlet
Type of locking (plug)	With steel lever
Vibration resistance	3 g
Dimensions (L x W x H)	104.00 x 22.00 x 21.80 mm
Temperature range, min./max.	-40 / 85 °C
Contact spacing	5 mm
Row spacing	3.00 mm
Applications	Bodywork attachment

Pre-assembled 55-way grip molding

Illustration



Product information

Product code	VHP-55P
Designation	55-way wiring-harness connector
Part number	1 928 401 676
Quotation drawing (assembly)	A 928 000 144
Quotation drawing (component)	D 928 000 72A

Technical data

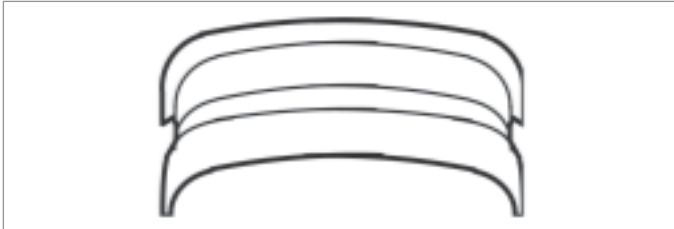
No. of poles	55
Color (FA)	Black
Encoding	1
Outgoing cable direction (KR)	Outgoing cable above encoding lug
Secondary lock	None
Type of seal (plug)	Optional rubber grommet at cable outlet
Type of seal (cable)	Optional rubber grommet at cable outlet
Type of locking (plug)	With steel lever
Vibration resistance	3 g
Dimensions (L x W x H)	198.00 x 31.50 x 44.00 mm
Temperature range, min./max.	-40 / 85 °C
Contact spacing	5 mm
Row spacing	2.80 mm
Applications	Bodywork attachment
Degree of protection	IP30, IP54K
Comments	KU=MB 000 545 4581

High-way plug-in connections

55-way plug-in connection

Clamp-type adapter

Illustration



Product information

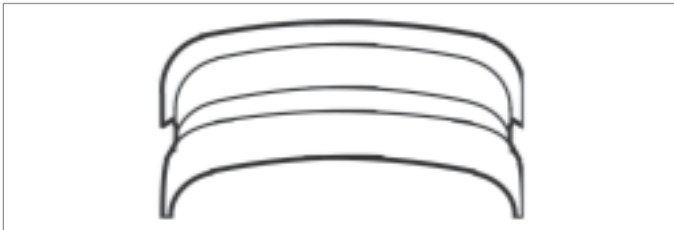
Product code	VHP-35P
Designation	35-way wiring-harness connector
Part number	1 928 401 962
Quotation drawing (assembly)	A 928 000 130
Quotation drawing (component)	C 928 001 24A

Technical data

No. of poles	35
Color (FA)	Black
Secondary lock	None
Type of seal (plug)	By an optional rubber grommet at cable outlet
Type of seal (cable)	By an optional rubber grommet at cable outlet
Type of locking (plug)	With steel lever
Vibration resistance	3 g
Dimensions (L x W x H)	22.00 x 10.50 x 8.50 mm
Temperature range, min./max.	-40 / 85 °C
Contact spacing	5 mm
Row spacing	2.80 mm
Applications	Bodywork attachment
Degree of protection	IP30, IP54K

35/55-way clamp-type adapter

Illustration



Product information

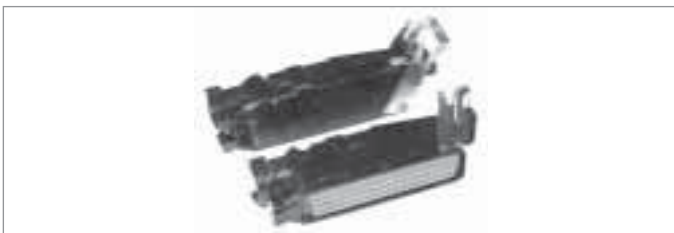
Product code	VHP-35P
Designation	35-way wiring-harness connector
Part number	1 928 401 963
Quotation drawing (assembly)	A 928 000 100, A 928 000 144
Quotation drawing (component)	C 928 001 25A

Technical data

No. of poles	35
Color (FA)	Yellow
Secondary lock	None
Type of seal (plug)	By an optional rubber grommet at cable outlet
Type of seal (cable)	By an optional rubber grommet at cable outlet
Type of locking (plug)	With steel lever
Vibration resistance	3 g
Dimensions (L x W x H)	22.00 x 10.50 x 8.50 mm
Temperature range, min./max.	-40 / 85 °C
Contact spacing	5 mm
Row spacing	2.80 mm
Applications	Bodywork attachment
Degree of protection	IP30, IP54K

Pre-assembled 55-way grip molding

Illustration



Product information

Product code	VHP-55P
Designation	55-way wiring-harness connector
Part number	1 928 402 146
Quotation drawing (assembly)	A 928 000 144
Quotation drawing (component)	D 928 000 63A

Technical data

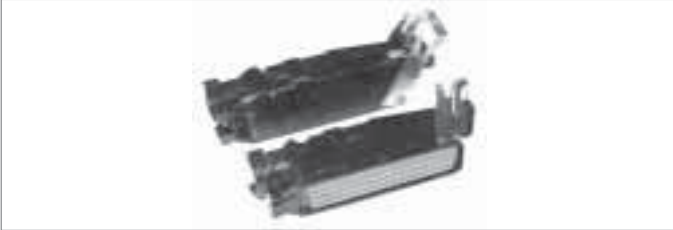
No. of poles	55
Color (FA)	Black
Encoding	10
Outgoing cable direction (KR)	Outgoing cable above encoding lug
Secondary lock	None
Type of seal (plug)	By an optional rubber grommet at cable outlet
Type of seal (cable)	By an optional rubber grommet at cable outlet
Type of locking (plug)	With steel lever
Vibration resistance	3 g
Dimensions (L x W x H)	126.00 x 33.00 x 52.60 mm
Temperature range, min./max.	-40 / 85 °C
Contact spacing	5 mm
Row spacing	2.80 mm
Applications	Bodywork attachment
Degree of protection	IP30, IP54K

High-way plug-in connections

55-way plug-in connection

55-way wiring-harness connector

Illustration



Product information

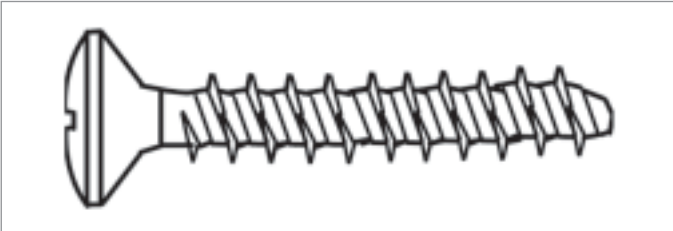
Product code	VHP-55P
Designation	55-way wiring-harness connector
Part number	1 928 402 950
Quotation drawing (assembly)	A 928 000 144
Quotation drawing (component)	D 928 001 00A

Technical data

No. of poles	55
Type of seal (plug)	By an optional rubber grommet at cable outlet
Type of seal (cable)	By an optional rubber grommet at cable outlet
Type of locking (plug)	With steel lever
Vibration resistance	3 g
Temperature range, min./max.	-40 / 85 °C
Contact spacing	5 mm
Row spacing	2.80 mm
Applications	Bodywork attachment
Degree of protection	IP30, IP54K

Special bolt A 3x12

Illustration



Product information

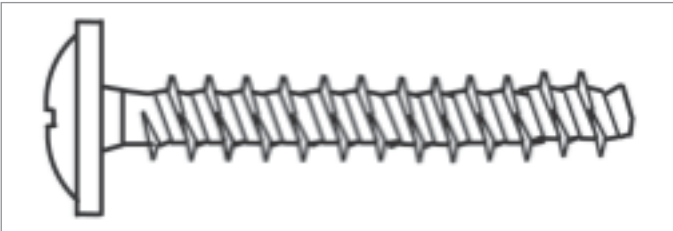
Product code	VHP-55P
Designation	55-way wiring-harness connector
Part number	1 928 491 154
Quotation drawing (component)	C 280 208 033

Technical data

Dimensions (L x W x H)	12.00 x 3.00 x mm
Temperature range, min./max.	-40 / 85 °C

Special bolt B 3x19

Illustration



Product information

Product code	VHP-55P
Designation	55-way wiring-harness connector
Part number	1 928 491 167
Quotation drawing (assembly)	A 928 000 144 and A 928 000 146
Quotation drawing (component)	C 261 200 475A

Technical data

Type of seal (plug)	By an optional rubber grommet at cable outlet
Type of locking (plug)	With steel lever
Vibration resistance	3 g
Dimensions (L x W x H)	19.00 x 3.00 x mm
Temperature range, min./max.	-40 / 85 °C
Contact spacing	5 mm
Row spacing	2.80 mm
Applications	Engine attachment
Degree of protection	IP30, IP54K