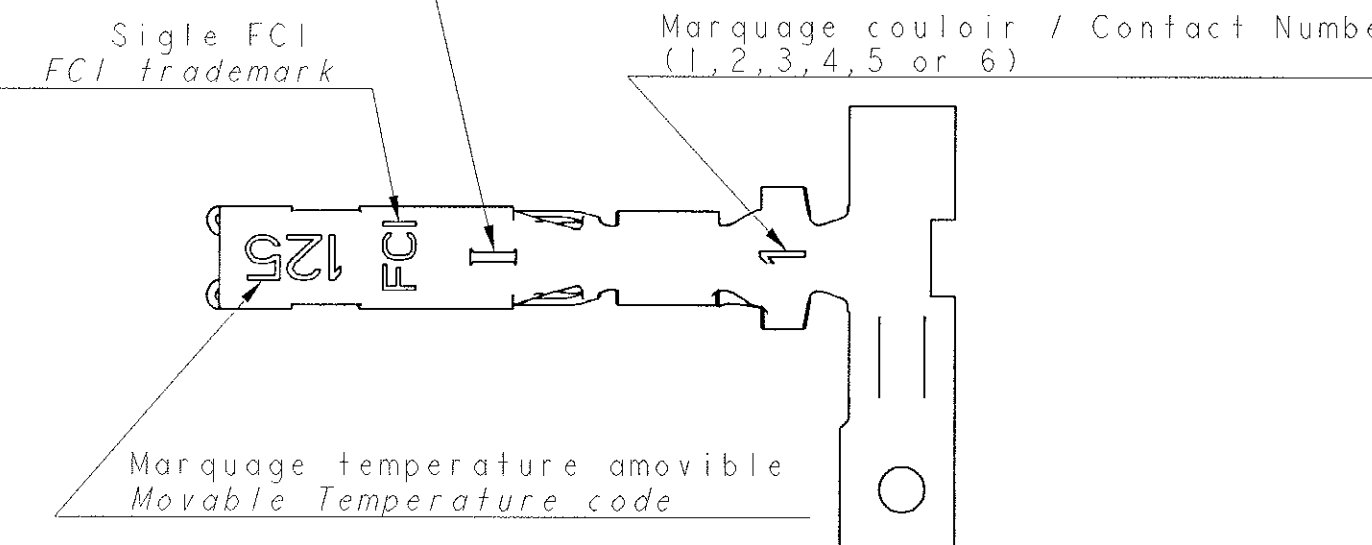
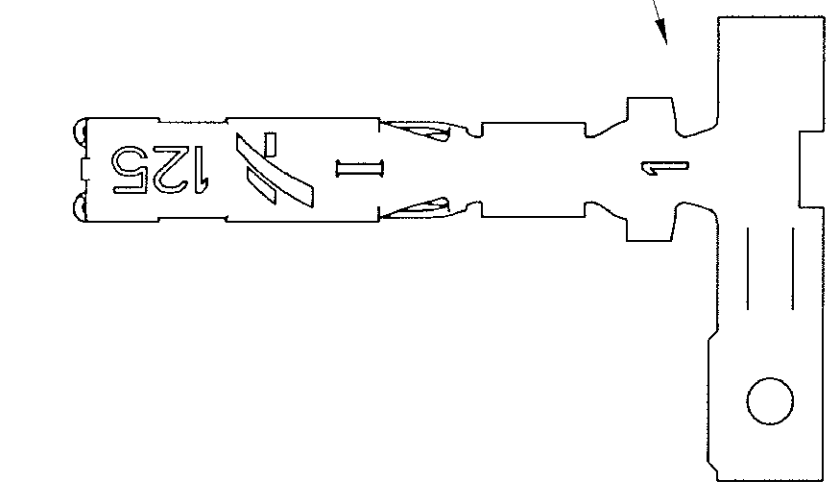


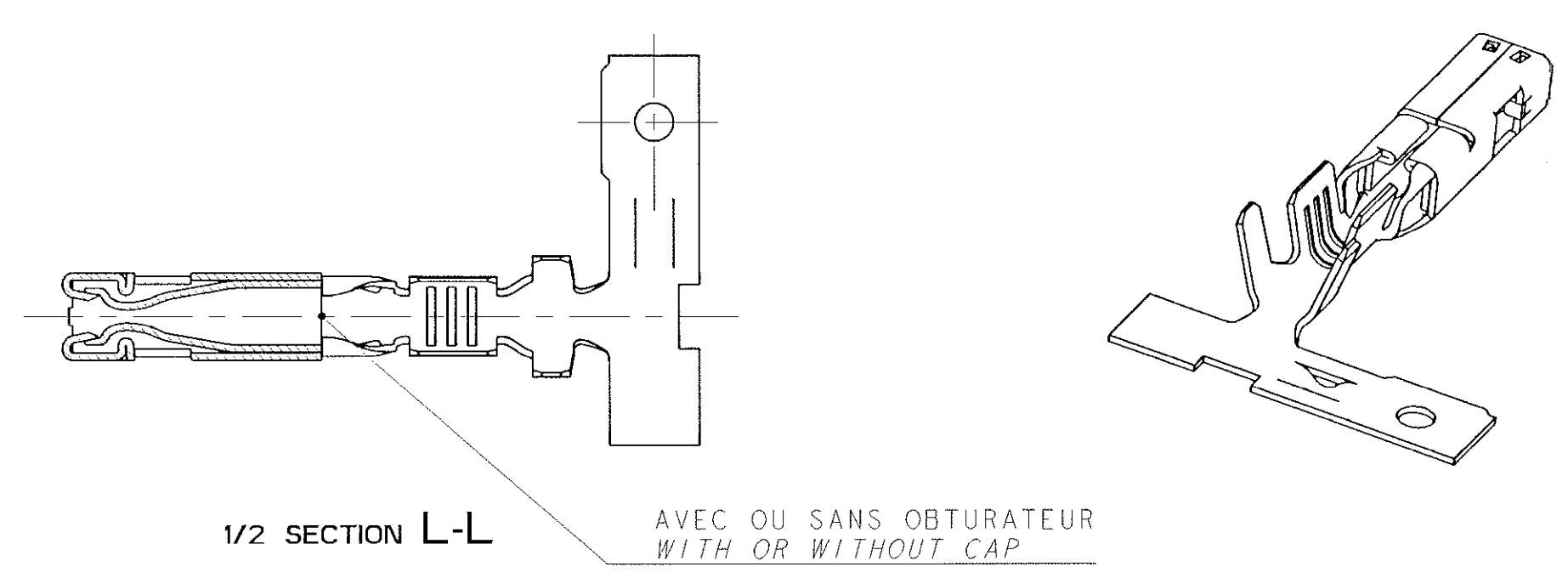
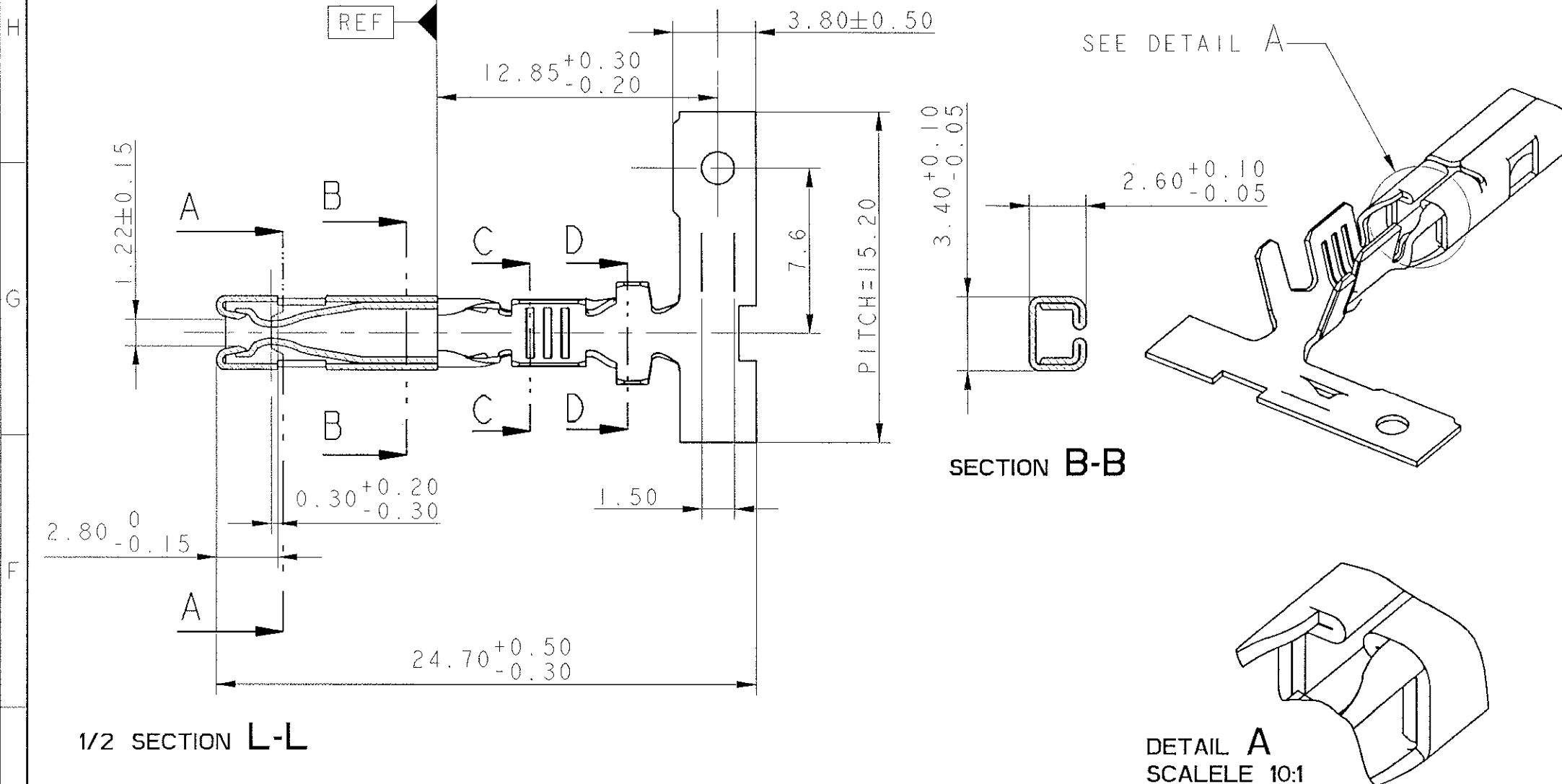
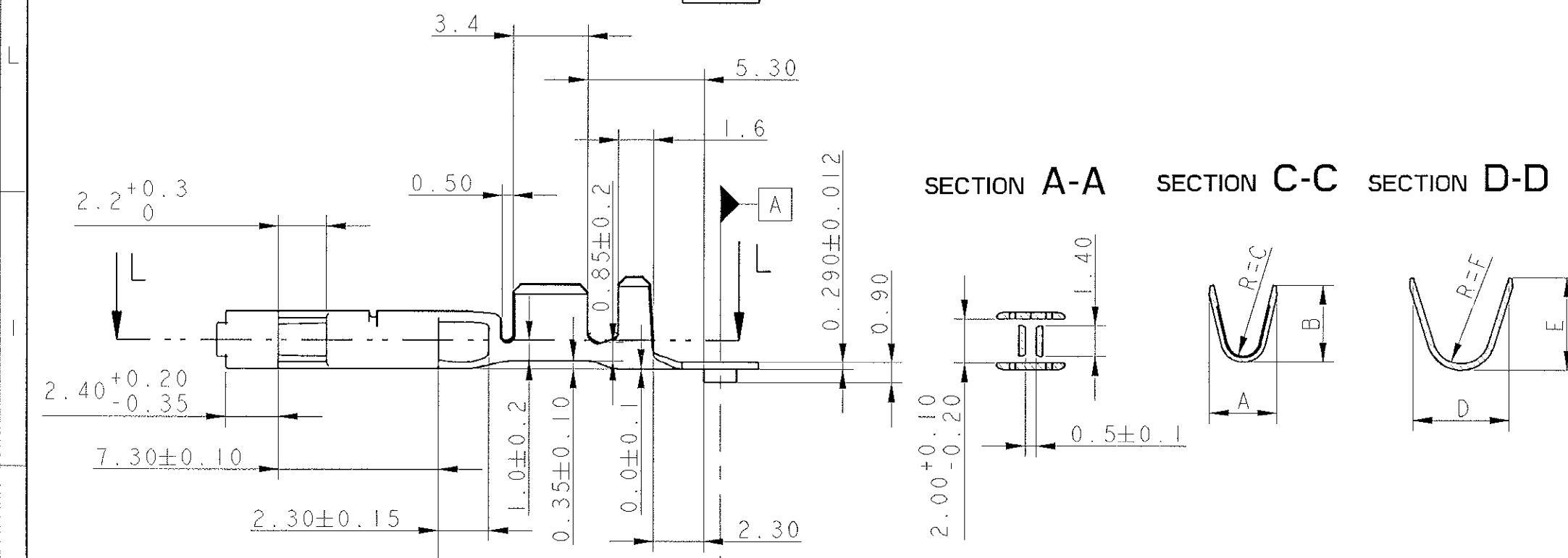
Repère amovible / Movable country code
 I= Italie / Italy
 sans / Without=France / French



FORME ACCEPTEE / ACCEPTED FORM



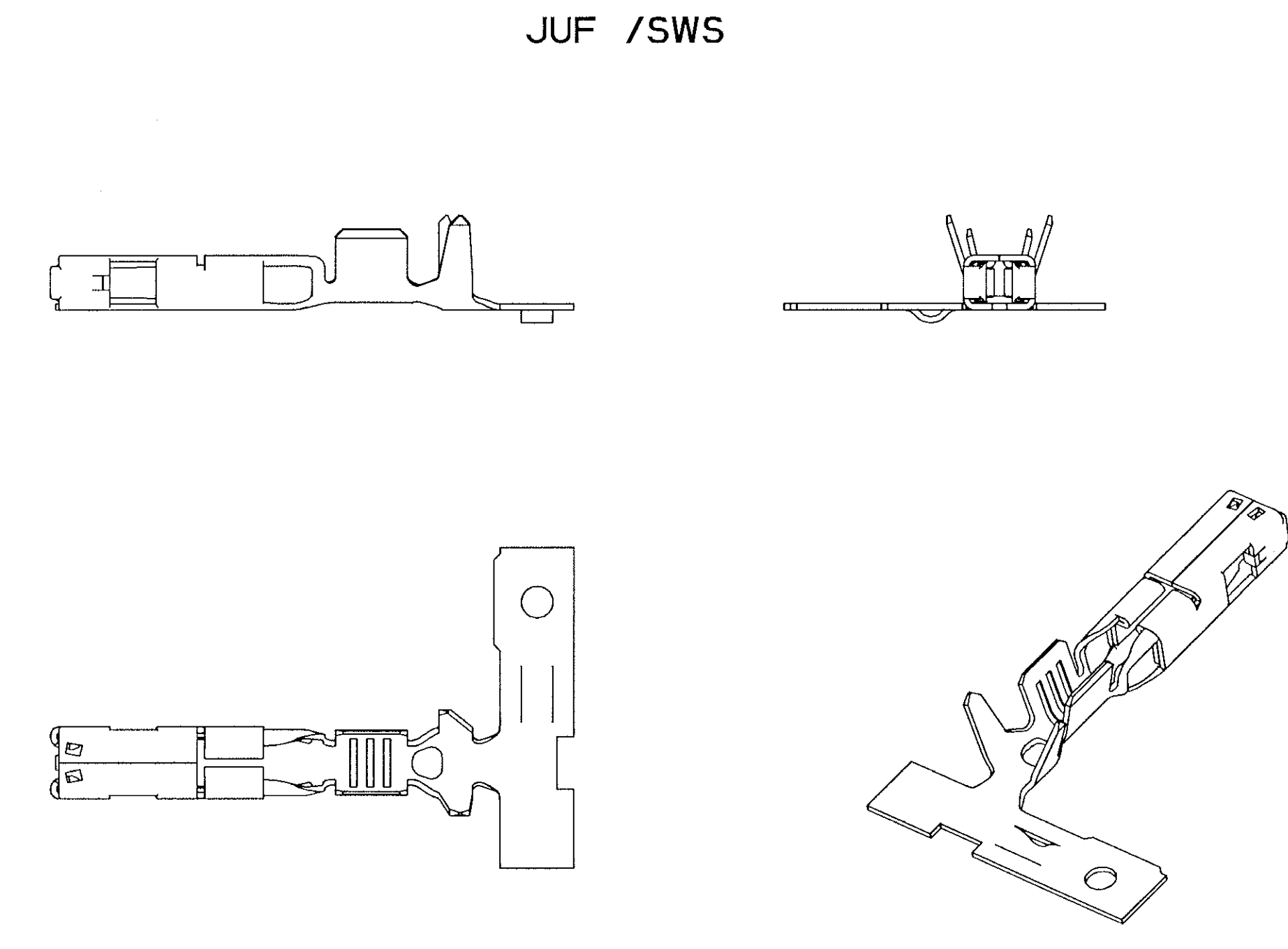
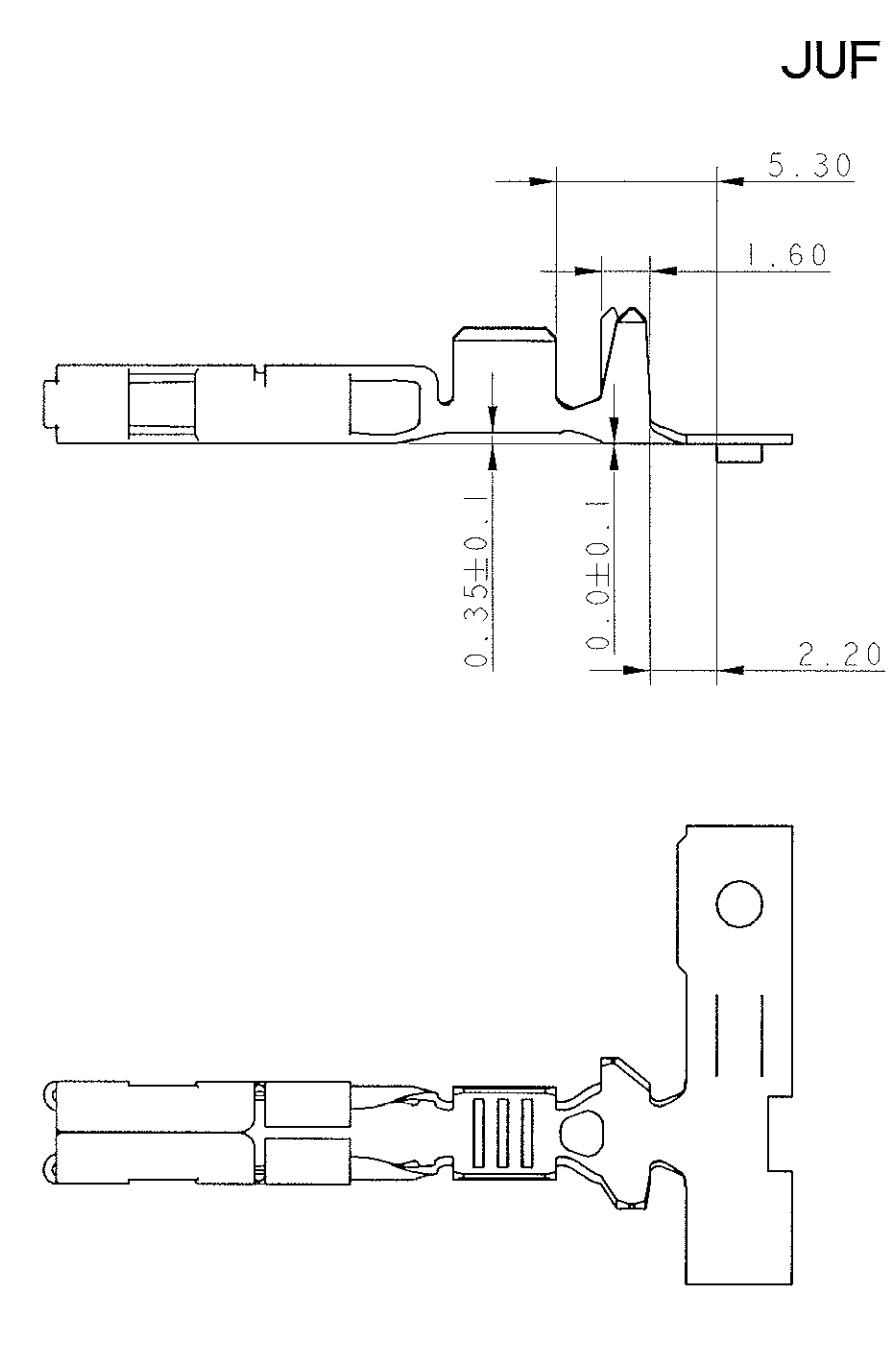
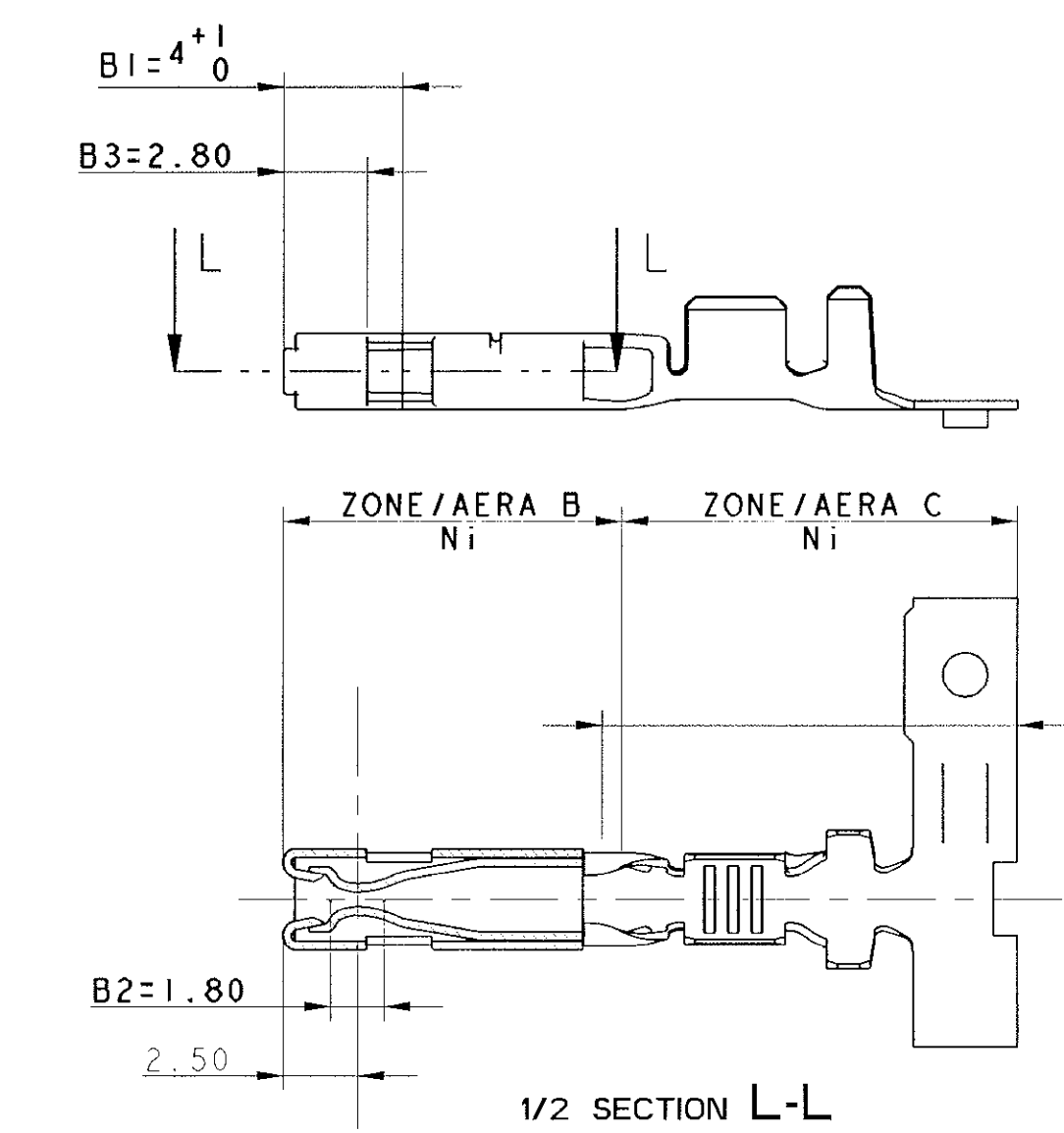
Etat / State	Références								Material	Classe	
	JUF / SWS	JUF / SWS	JUF / SWS	JUF / SWS	JUF / SWS	JUF / SWS	JUF / SWS	JUF / SWS			
Pré-étamé / Pre-tinned Sn 1 to 3µ	211 CC 2 S 0150		211 CC 2 S 1150		211 CC 2 S 4150		211 CC 2 S 2150			Cu Zn 15	85/105*
Pré-étamé / Pre-tinned Sn 1 to 3µ	211 CC 2 S 0160	211 CC 2 S 0161	211 CC 2 S 1160	211 CC 2 S 1161	211 CC 2 S 4160	211 CC 2 S 4161	211 CC 2 S 2160	211 CC 2 S 2161		Cu Fe 2P	125/155*
Post-doré / Post-gilded 0.2µ int/ext	211 CC 2 S 0260		211 CC 2 S 1260	211 CC 2 S 1261						Cu Fe 2P	125/155*
Pré-pisté / Pre-tracked 1.27µ int	211 CC 2 S 0460		211 CC 2 S 1460	211 CC 2 S 1461	211 CC 2 S 4460		211 CC 2 S 2460			Cu Fe 2P	125/155*
Pré-pisté / Pre-tracked 0.8µ int-0.4 ext			211 CC 2 S 1560							Cu Fe 2P	125/155*
Section / Gauge	0.22 to 0.35		0.4 to 0.75		0.8 to 1.3		1.35 to 2				
∅ Isolant Insulation	1.2 to 1.35		1.3 to 2.1		1.8 to 2.6		2.1 to 2.7				
A	1.53		2.6		2.75		3.1				
B	1.87		2.2		2.93		3.5				
R=C	0.33		0.75		0.64		0.75				
D	2.87	4.7	4.2	4.7	4.50	5	4.7	5			
E	3.05	4.15	3.3	4.15	4.30	4.5	4.2	4.5			
R=F	0.68	1.35	1.3	1.35	1.12	1.35	1.3	1.35			
Quantité par bobine Quantity per reel	5000	4000	5000	4000	4000	4000	4000	4000			
POIDS DU CARTON BOX WEIGHT	13.4 KG		13.4 KG		13.4 KG		13.4 KG				



PROTECTION OR / GOLD PLATING						
Reference	Area	Ni		Sn/Pb 90/10	Thickness Au	
		B	C		nominal	min
211 CC 2S X 2 60	B1 (INT/EXT)	0.5µMIN 0.1µMAX	0.1µMAX	1µMIN 6µMAX	0.25µ	0.20µ
211 CC 2S X 2 61						
211 CC 2S X 4 60	B2 (INT) Contact point	1µMIN 2µMAX	0.1µMAX	1µMIN 3µMAX	1.52µ	1.27µ
211 CC 2S X 4 61						
211 CC 2S X 5 60	B3 (EXT)	1µMIN 2µMAX	0.1µMAX	1µMIN 3µMAX	0.98µ	0.8µ
						0.5µ

ZONE ET DIMENSIONS VALABLES POUR TOUTES REFERENCES
 AREA AND DIMENSIONS ARE VALID FOR ALL REFERENCES

INDICE PIECE=INDICE MAJEUR PLAN
 PART REVISION LEVEL=REVISION MAJOR DRAWING



CONNECTIQUE SICMA-3

ARCHIVE LE 24/07/03

A 03 031	28/07/03	E00	ADD 3D MODEL - CHANGE CAD SYSTEM DRAWING ISSUED OF 211 FT 0462 REV. E02 AND PC 211 CC 2S XXXX REV. E00 ADD A NEW FORM - ADD ALL REFERENCES 211 FT 0288 REPLACED BY THE 211 FT 0463	HERNANDEZ	HERNANDEZ
ECN NO. NUMBER FOR	DATE ISSUE	REVISION NUMBER	DESCRIPTION MODIFICATION	DRAWN BY DESIGNER	APPROVED BY ENGINEER
PROJEC SPEC. SPEC. PRODUCT	PACKAGING SPEC. SPEC. EMBALAGE	APPLICATION SPEC. SPEC. APPLICATION	THIS DRAWING AND ALL OTHER INFORMATION CONTAINED HEREIN IS PROPRIETARY AND THE PROPERTY OF FCI. This drawing may not be copied, reproduced or disclosed to any third party without the expressed written permission of FCI. © FCI 2003 1008	USE PLAN ET LES INFORMATIONS CONTENUES DANS CE PLAN SONT PROPRIETAIRES ET LA PROPRIETE DE FCI. Ce plan ne peut être copié, reproduit ou divulgué à un tiers sans l'autorisation écrite de FCI.	CD SYSTEM PDR / PDR DIMENSION / DIMENSION UNIT / UNIT SCALE / ÉCHELLE
TOLERANCES TOLERANCES	±0.2 ±0.2	MATERIAL MATIERE	SEE TABLE	SURFACE FINISH ÉTAT DE SURFACE	FCI
DESIGNED BY CONTE PABLO N°	DATE 28/07/03	DESIGNED BY HERNANDEZ S.	FILE DESTINATION	STARTING NUMBER REFERENCIAL PLAN	CD SYSTEM PDR / PDR DIMENSION / DIMENSION UNIT / UNIT SCALE / ÉCHELLE
DRAWN BY CONTE PABLO	DATE 28/07/03	DESIGNED BY HERNANDEZ S.	FILE DESTINATION	STARTING NUMBER REFERENCIAL PLAN	CD SYSTEM PDR / PDR DIMENSION / DIMENSION UNIT / UNIT SCALE / ÉCHELLE
FILE NAME NOMBRE DE PLAN	FRA-0332	DATE 28/07/03	FILE NAME NOMBRE DE PLAN	211 FT 0463	SCALE ÉCHELLE

Mouser Electronics

Authorized Distributor

Click to View Pricing, Inventory, Delivery & Lifecycle Information:

Delphi Connection Systems:

[211CC2S0161](#) [211CC2S1110](#) [211CC2S1120](#) [211CC2S1150](#) [211CC2S1150-B](#) [211CC2S1160](#) [211CC2S1160-B](#)
[211CC2S1161](#) [211CC2S1190P](#) [211CC2S1230](#) [211CC2S1240](#) [211CC2S1242](#) [211CC2S1243](#) [211CC2S1260](#)
[211CC2S1460](#) [211CC2S1560](#) [211CC2S2110](#) [211CC2S2120](#) [211CC2S2150](#) [211CC2S2150-B](#) [211CC2S2160](#)
[211CC2S2160-B](#) [211CC2S2161](#) [211CC2S2230](#) [211CC2S2240](#) [211CC2S2460](#) [211CC2S4160P](#) [211CC2S2160-L](#)
[211CC2S1160-L](#) [211CC2S1460P](#) [211CC2S2460P](#) [211CC2S4460P](#) [211CC2S4460P-L](#) [211CC2S4190P-L](#)
[211CC2S4160P-L](#) [211CC2S2190P-L](#) [211CC2S1460-L](#) [211CC2S2460-L](#) [211CC2S1260-L](#) [211CC2S2160P](#)
[211CC2S1160P](#) [211CC2S2161-L](#) [211CC2S0160P](#) [211CC2S1150P](#) [211CC2S1150T](#) [211CC2S1160T](#)
[211CC2S1161P](#) [211CC2S2150P](#) [211CC2S2150T](#) [211CC2S2160T](#) [211CC2S4190P](#) [211CC2S2190P](#)
[211CC2S1161P-L](#) [211CC2S1460P-L](#) [211CC2S2150P-L](#) [211CC2S2161P](#) [211CC2S1150P-L](#) [211CC2S2161P-L](#)
[211CC2S2460P-L](#)

FCI:

[211CC2S4160-L](#) [211CC2S4160](#)