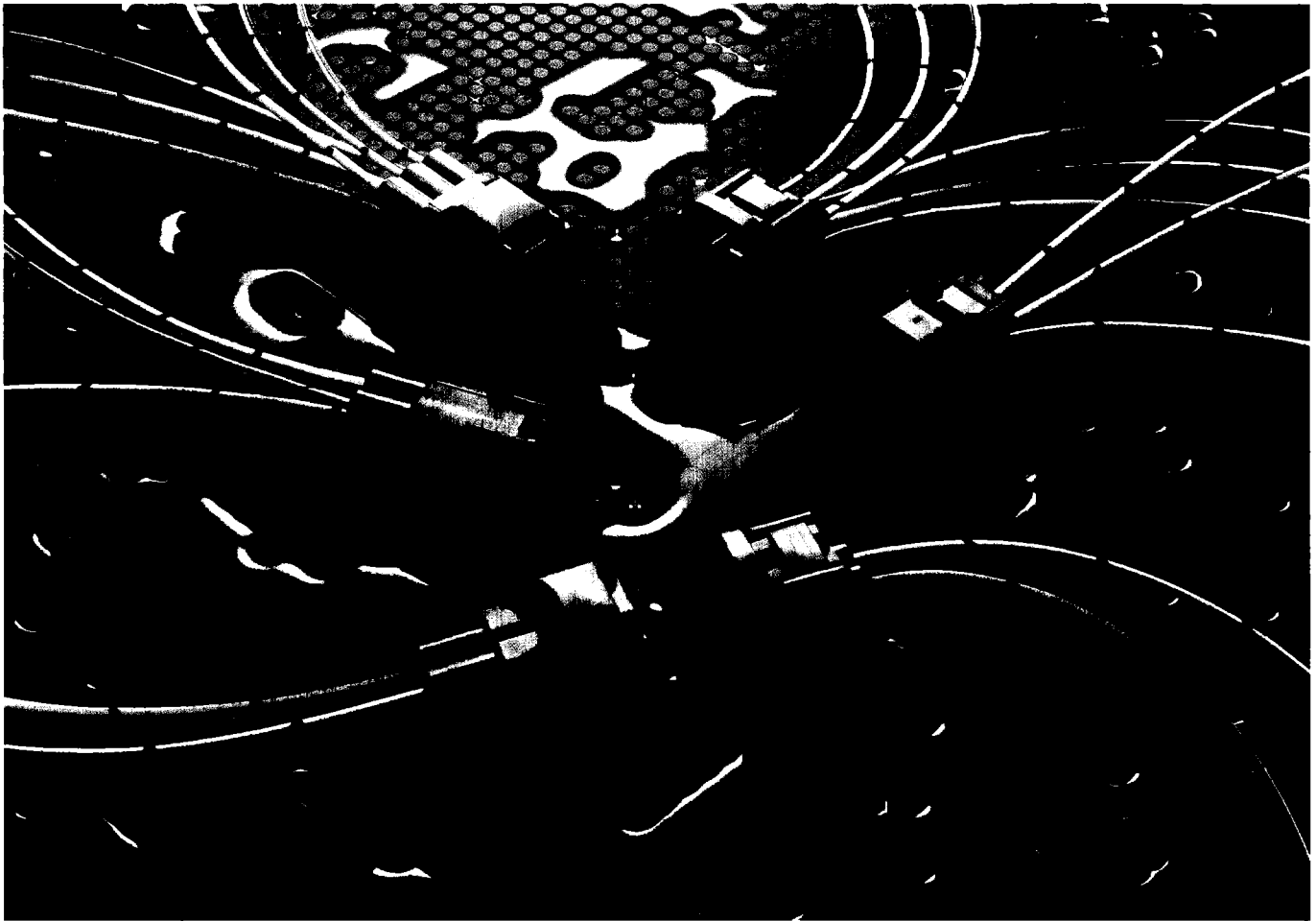


090-II SEALED CONN.



090-II SEALED CONNECTOR
IMPROVED DESIGN OF THE 090 SIZE SEALED CONNECTOR
FOR HIGHER RELIABILITY.

THE BLADE WIDTH OF THE MALE TERMINAL FOR THIS
CONNECTOR IS 0.090 INCHES.

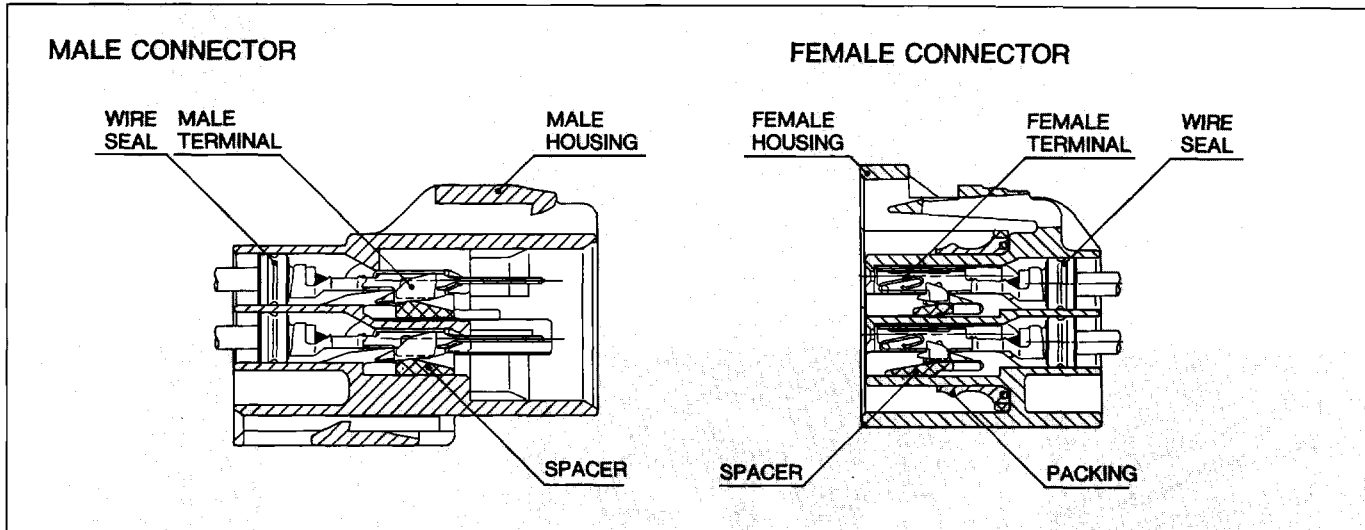
(DISTINCTIVE FEATURES)

1. DOUBLE TERMINAL LOCKING SYSTEM ELIMINATES
TERMINAL PUSH-OUT.

(HOUSING LANCE, SIDE LOCK).

2. CONNECTORS CANNOT BE MATED IF PRESET
TERMINAL SPACER IS NOT IN THE FULL-LOCK
POSITION.

CONSTRUCTION



SPECIFICATIONS

MATERIAL	HOUSING	NYLON46 AND PBT
	MALE TERMINAL	BRASS (TIN PLATING)
	FEMALE TERMINAL	BRASS (TIN PLATING). COPPER ALLOY (TIN PLATING)
*CURRENT CAPACITY (REFERENCE)		10A
RESISTANCE AT LOW VOLTAGE		3mΩ MAX. (INITIAL VALUE)
INSULATION RESISTANCE		DC500V 100MΩ MIN.
DIELECTRIC STRENGTH		AC1000V (1 min.)

*CURRENT CAPACITY WILL BE AFFECTED BY CONDITIONS SUCH AS POLE QUANTITY, WIRE SIZE, AMBIENT TEMPERATURE, ETC.

PART NUMBER CHART

PART NAME	MALE TERMINAL	FEMALE TERMINAL
TERMINAL	7114-4025	7116-4025
	7114-4026	7116-4026
	7114-4027	7116-4027

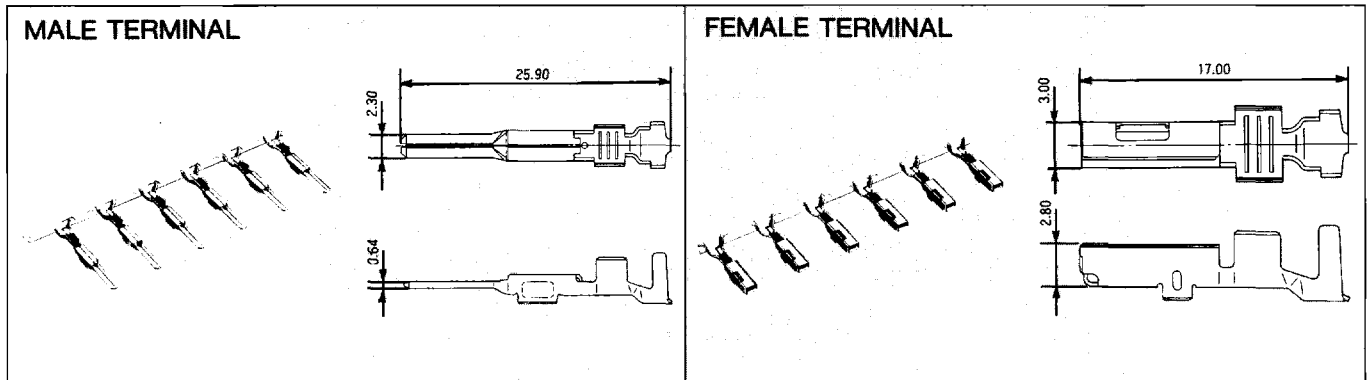
PART NAME	COMMON FOR MALE AND FEMALE
WIRE SEAL	7157-3821
	7157-3646
	7157-3648
	7157-8761 (CAVITY PLUG)
	7157-8767 (CAVITY PLUG)

PART NAME	POLES	MALE CONNECTOR	FEMALE CONNECTOR
HOUSING	1	—	7283-1015-10
	1	—	7283-1018
	1	—	7283-1019
	1	—	7283-1114
	1	7282-7010-10	7283-7010-10
	2	—	7283-1224-10
	2	—	7283-7024-10
	2	—	7283-7027-40
	2	—	7283-7929
	2	—	7283-8220
	2	—	7283-8226-30
	2	—	7283-8820
	2	7282-4421	7283-4421
	2	7282-7020-10	7283-7020-10
	2	7282-7021-10	7283-7021-10
	2	7282-7022-10	7283-7022-10
	2	7282-7023-10	7283-7023-10
	2	7282-7026-40	7283-7026-40
	2	7282-7028-30	7283-7028-30
	2	7282-7029-40	7283-7029-40
	2	7282-7420-40	7283-7029-40
	2	7282-7527-40	7283-7527-40
	2	7282-8120-40	7283-7526-40
	3	—	7283-7030-30
	3	7282-7031-10	7283-7031-10
	3	—	7283-1133-10
	4	7282-7040-10	7283-7040-10
	5	—	7283-1052-30
	5	—	7283-7050-30
	5	—	7283-7052-30
	5	—	7283-1056-30
	5	—	7283-1057-30
	6	—	7283-7060-40
	6	7282-7064-40	7283-7064-40
	6	7282-7062-40	7283-7062-40
	8	—	7283-1084
	8	7282-1081-40	7283-1081-40
	8	7282-7080-40	7283-7080-40

OTHER HOUSING COLORS ARE AVAILABLE TO MEET YOUR REQUEST.

TERMINAL

UNIT:mm

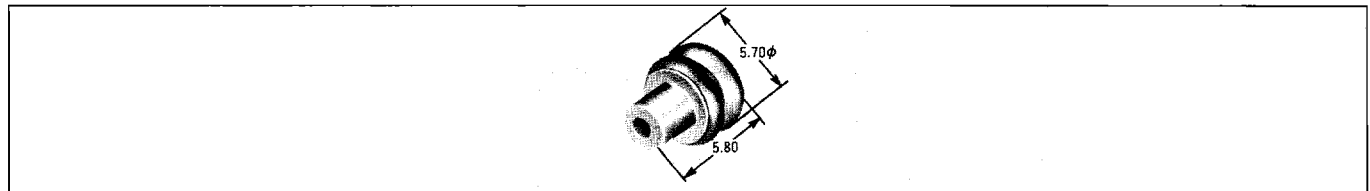


SPECIFICATIONS

PART NAME	PART NUMBER	MATERIAL	TREATMENT	MATERIAL THICKNESS
MALE TERMINAL	7114-4025	BRASS	TIN PLATING	t=0.3
	7114-4026			
	7114-4027			
FEMALE TERMINAL	7116-4025	COPPER ALLOY	TIN PLATING	t=0.25
	7116-4026			
	7116-4027			

WIRE SEAL

UNIT:mm



SPECIFICATIONS


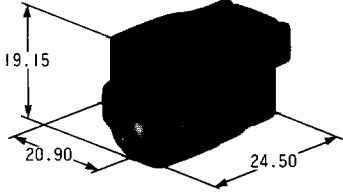

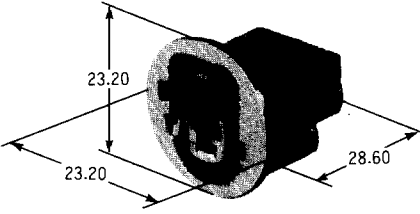

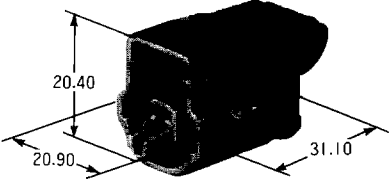

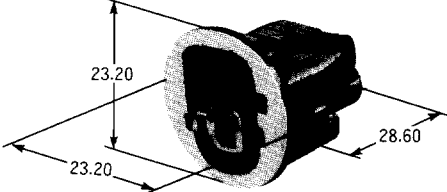
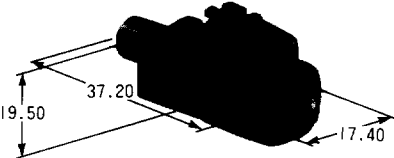
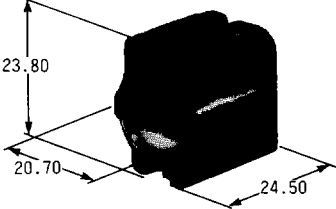

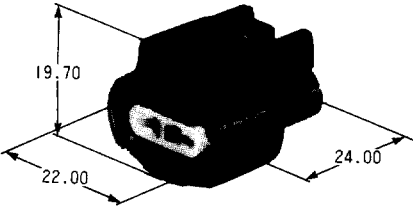
PART NAME	PART NUMBER	MATERIAL	COLOR	NOTE
WIRE SEAL	7157-3857-60	NBR	GREEN	
	7157-3821	SILICONE	DARK GREEN	
	7157-3646	SILICONE	BROWN	
	7157-3648	NBR	BLACK	
	7157-8761	SILICONE	BROWN	CAVITY PLUG
	7157-8767	NBR	BLACK	CAVITY PLUG

● APPLICABLE WIRE CHART (TERMINAL·WIRE SEAL)

PART NAME	WIRE SIZE (mm ²)	WIRE TYPE	PART NUMBER	PART NUMBER OF WIRE SEAL
MALE TERMINAL	0.3	AVS	7114-4025	7157-3821
				7157-3857-60
	0.5	AVS	7114-4025	7157-3646
				7157-3648
	0.85	AVS	7114-4026	7157-3646
				7157-3648
1.25	AVS	7114-4026	7157-3646	
			7157-3648	
2f	AVSS	7114-4027	7157-3646	
			7157-3648	
FEMALE TERMINAL	0.3	AVS	7116-4025	7157-3821
				7157-3857-60
	0.5	AVS	7116-4025	7157-3646
				7157-3648
	0.85	AVS	7116-4026	7157-3646
				7157-3648
1.25	AVS	7116-4026	7157-3646	
			7157-3648	
2f	AVSS	7116-4027	7157-3646	
			7157-3648	

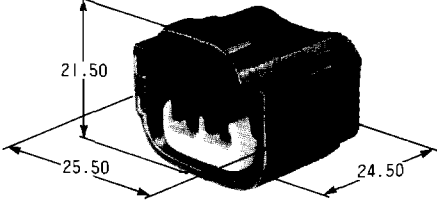
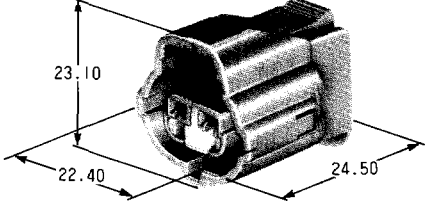
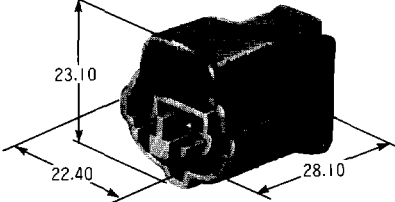
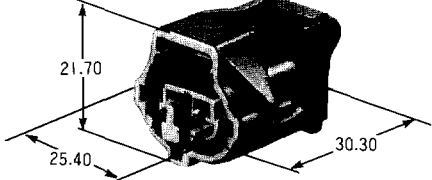
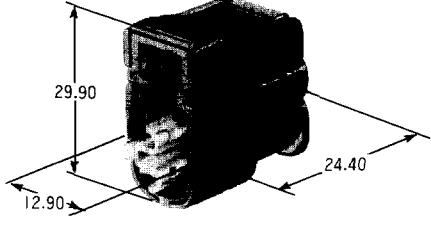
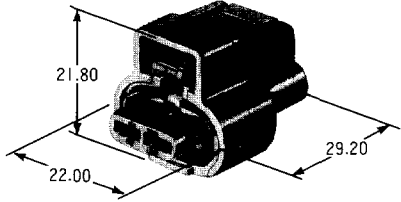
HOUSING MATERIAL: PBT

UNIT: mm

POLES	MALE HOUSING	FEMALE HOUSING
1		 <p data-bbox="1090 613 1295 645">7283-1015-10</p>
1		 <p data-bbox="1090 902 1248 934">7283-1018</p>
1		 <p data-bbox="1090 1189 1248 1220">7283-1019</p>
1		 <p data-bbox="1090 1473 1248 1505">7283-1114</p>
1	 <p data-bbox="408 1760 863 1792">7282-7010-10 (MATL.: NYLON46)</p>	 <p data-bbox="1033 1760 1489 1792">7283-7010-10 (MATL.: NYLON46)</p>
2		 <p data-bbox="1090 2045 1295 2076">7283-1224-10</p>

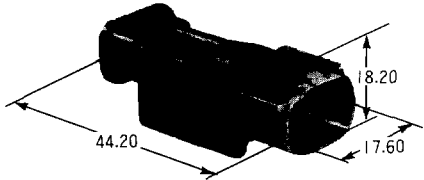
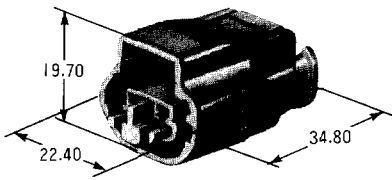
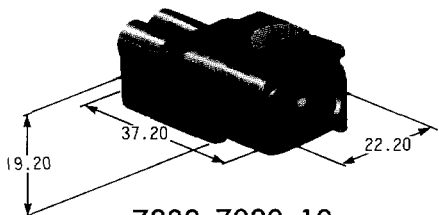
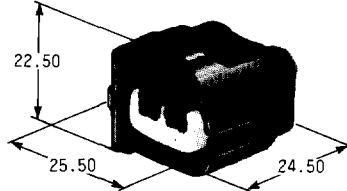
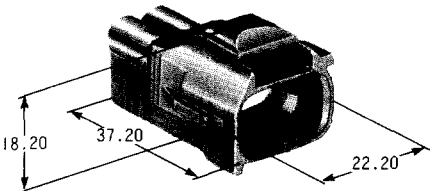
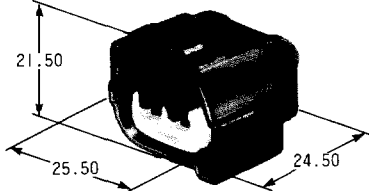
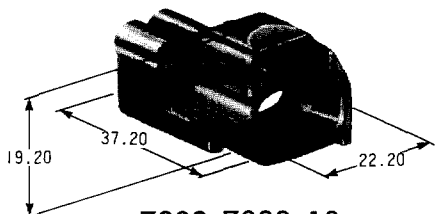
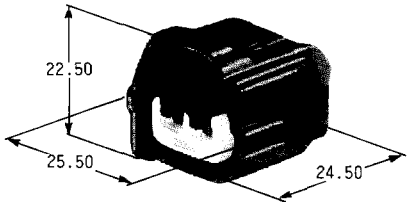
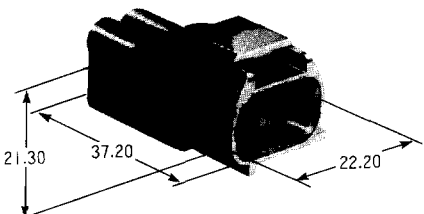
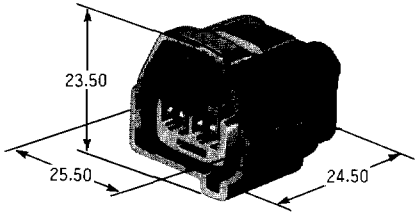
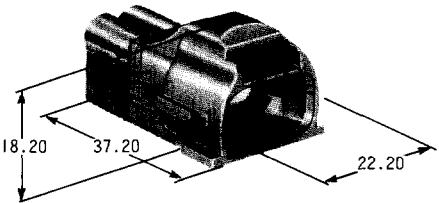
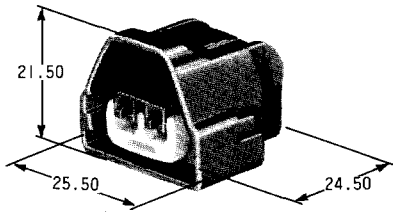
HOUSING MATERIAL: PBT

UNIT: mm

POLES	MALE HOUSING	FEMALE HOUSING
2	_____	 <p>7283-7024-10</p>
2	_____	 <p>7283-7027-40</p>
2	_____	 <p>7283-7929</p>
2	_____	 <p>7283-8220</p>
2	_____	 <p>7283-8226-30</p>
2	_____	 <p>7283-8820</p>

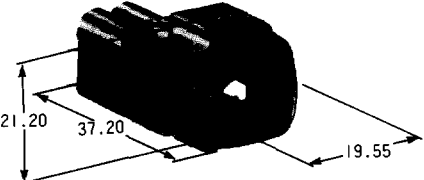
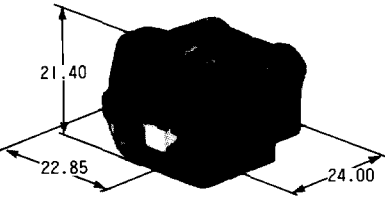
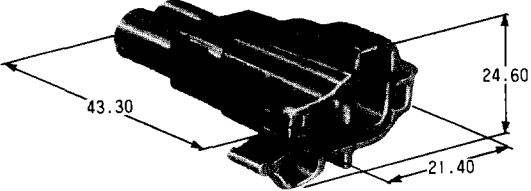
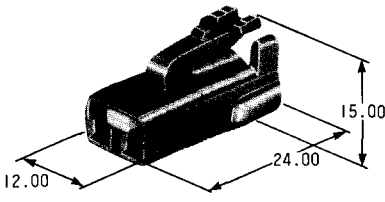
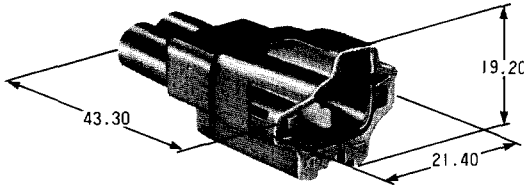
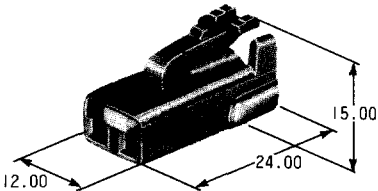
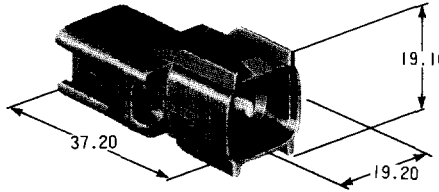
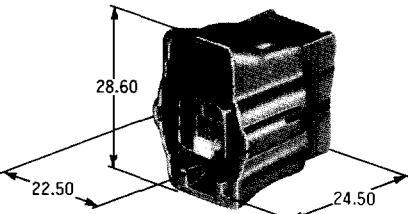
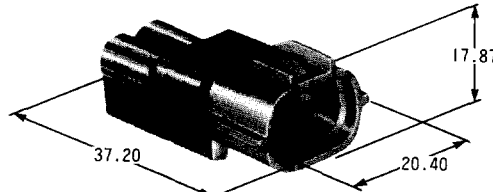
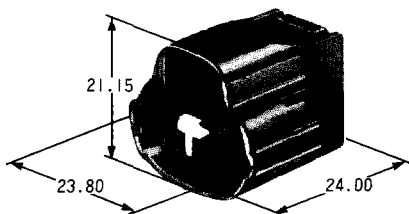
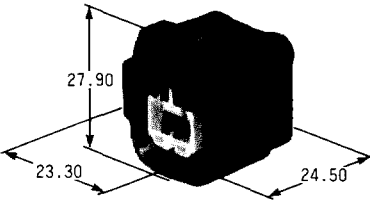
HOUSING MATERIAL: PBT

UNIT: mm

POLES	MALE HOUSING	FEMALE HOUSING
2	 <p>7282-4421</p>	 <p>7283-4421</p>
2	 <p>7282-7020-10</p>	 <p>7283-7020-10</p>
2	 <p>7282-7021-10</p>	 <p>7283-7021-10</p>
2	 <p>7282-7022-10</p>	 <p>7283-7022-10</p>
2	 <p>7282-7023-10</p>	 <p>7283-7023-10</p>
2	 <p>7282-7026-30</p>	 <p>7283-7026-30</p>


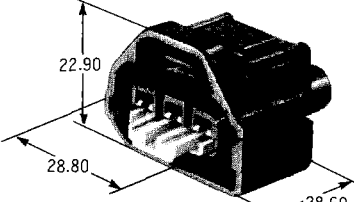
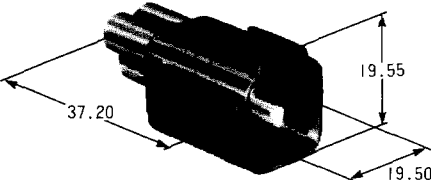
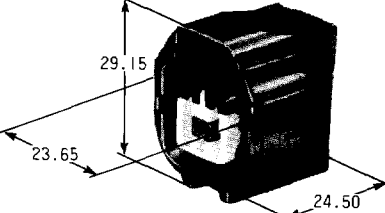
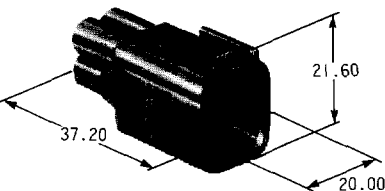
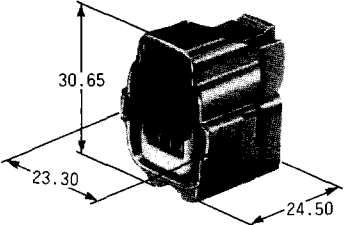

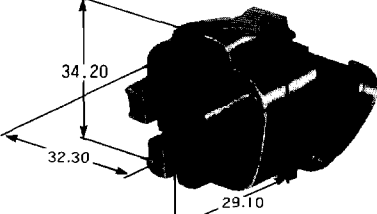

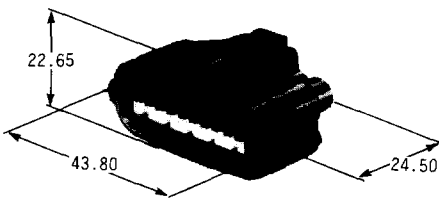

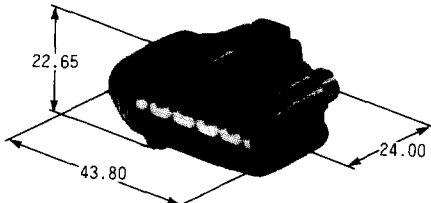
HOUSING MATERIAL : PBT

UNIT : mm

POLES	MALE HOUSING	FEMALE HOUSING
2	 <p>7282-7028-30</p>	 <p>7283-7028-30</p>
2	 <p>7282-7029-40</p>	 <p>7283-7029-40</p>
2	 <p>7282-7420-40</p>	 <p>7283-7029-40</p>
2	 <p>7282-7527-40</p>	 <p>7283-7527-40</p>
2	 <p>7282-8120-40</p>	 <p>7283-7526-40</p>
3	<p>—</p>	 <p>7283-7030-30</p>


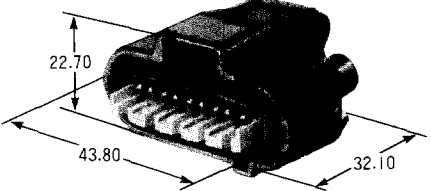
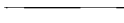
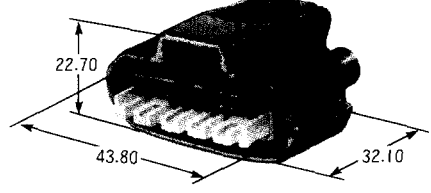
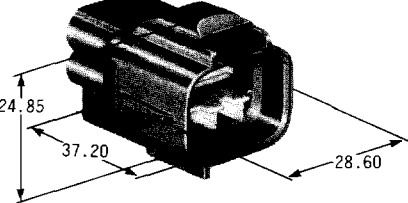
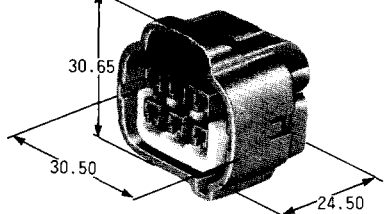
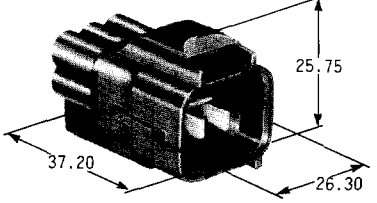
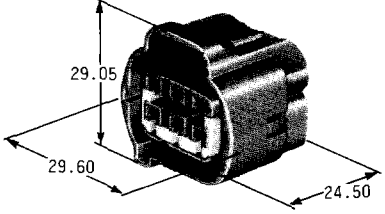
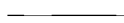
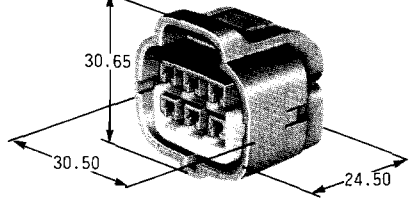

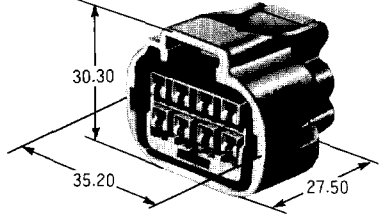
HOUSING MATERIAL: PBT

UNIT: mm

POLES	MALE HOUSING	FEMALE HOUSING
3		 <p>7283-1133-10</p>
3	 <p>7282-7031-10</p>	 <p>7283-7031-10</p>
4	 <p>7282-7040-10 (MATL.:NYLON46)</p>	 <p>7283-7040-10 (MATL.:NYLON46)</p>
5		 <p>7283-1052-30</p>
5		 <p>7283-7050-30</p>
5		 <p>7283-7052-30</p>

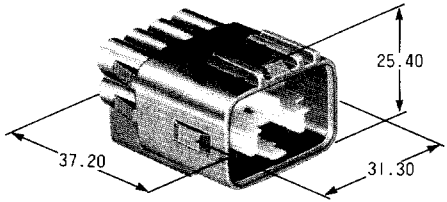
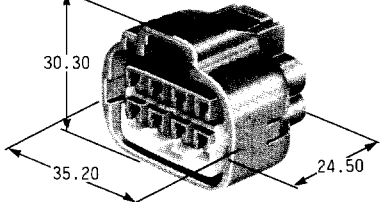
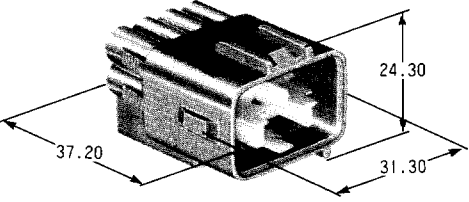
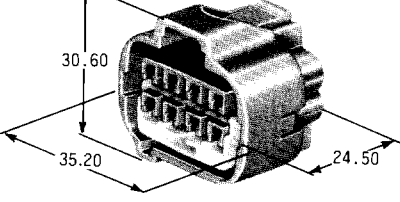
HOUSING MATERIAL : PBT

UNIT : mm

POLES	MALE HOUSING	FEMALE HOUSING
5		 <p>7283-1056-30</p>
5		 <p>7283-1057-30</p>
6	 <p>7282-7064-40</p>	 <p>7283-7064-40</p>
6	 <p>7282-7062-40</p>	 <p>7283-7062-40</p>
6		 <p>7283-7060-40</p>
8		 <p>7283-1084</p>

HOUSING MATERIAL : PBT

UNIT : mm

POLES	MALE HOUSING	FEMALE HOUSING
8	 <p data-bbox="458 616 665 649">7282-1081-40</p>	 <p data-bbox="1082 616 1288 649">7283-1081-40</p>
8	 <p data-bbox="458 907 665 940">7282-7080-40</p>	 <p data-bbox="1082 907 1288 940">7283-7080-40</p>