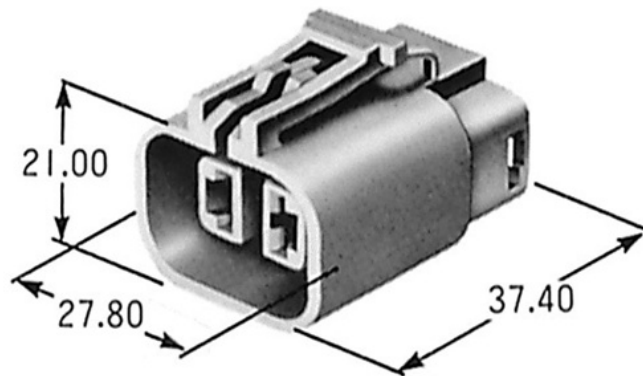


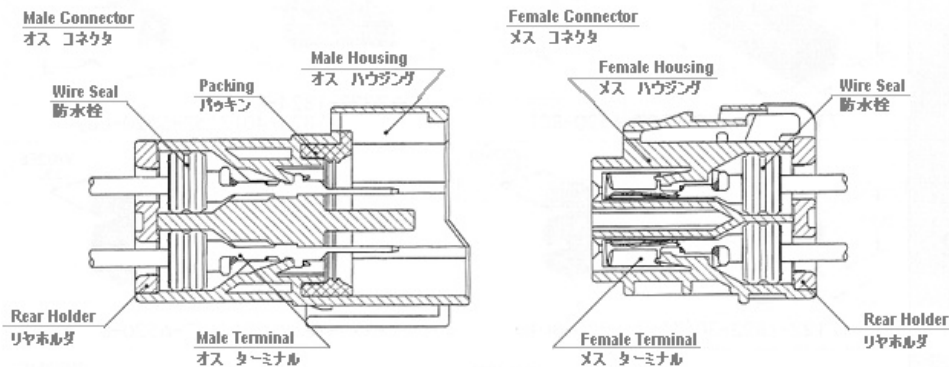
58 Connectors X Type Housing 2P Female



7223-6224-40

(Unit:mm)

Configuration diagram



*1) Magnified image view by click.

Specifications

Classified Parts		Housing
Family	* 2	58 Connectors
Type		X Type
Yazaki Part Number		7223-6224-40
Connection Type		Wire to Wire Wire to Board Wire to Device
Unsealed/Seald		Sealed
Male/Female		Female
Number of Poles		2
Tab Width mm(inches)		6.3(250)
Material		Nylon66
Plating		-
Color		Light Gray
Rating		-
Mating Part Numbers		7122-6224-40
Product Specification No.		YPES-11-04-005
Instruction Manual No.		YPES-15-026

*2)The Family introduction page can be seen by clicking the Family name.

Product Specification	
Allowable Current(Ref.)	20A(Ref)
Low Level Contact Resistance	3milli ohm Max.(Initial)
Insulation Resistance	250Megohm Min.(at 500VDC)
Withstanding Voltage	1000V AC (1min.)
Temperature Range	* 9 -40 to 100deg.C

Application List of Installable Components		
Terminals	Wire Seals	Holders
7116-2873	7157-3570	7157-6620
7116-2874	7157-3571-80	

7116-2878_*3	7157-3574-70_*5
7116-2879_*3	7157-3578-50
-	7157-3578-50_*5
-	7157-3579-20_*5

- *3) Heavy Duty Type, *4) Single Pole Type, *5) Material NBR, *6) 5mm pitch, *7) 5.5mm pitch
- *8) For installable components for the hybrid series, refer to the related component table.
- *9) Operating Temperature Range includes temperature rise caused by current flow.