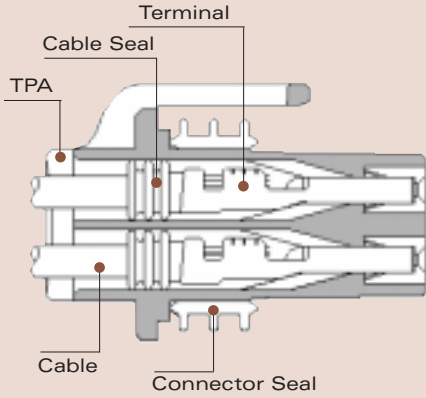
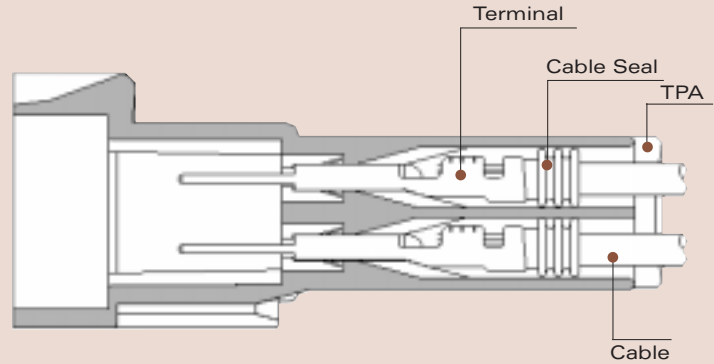




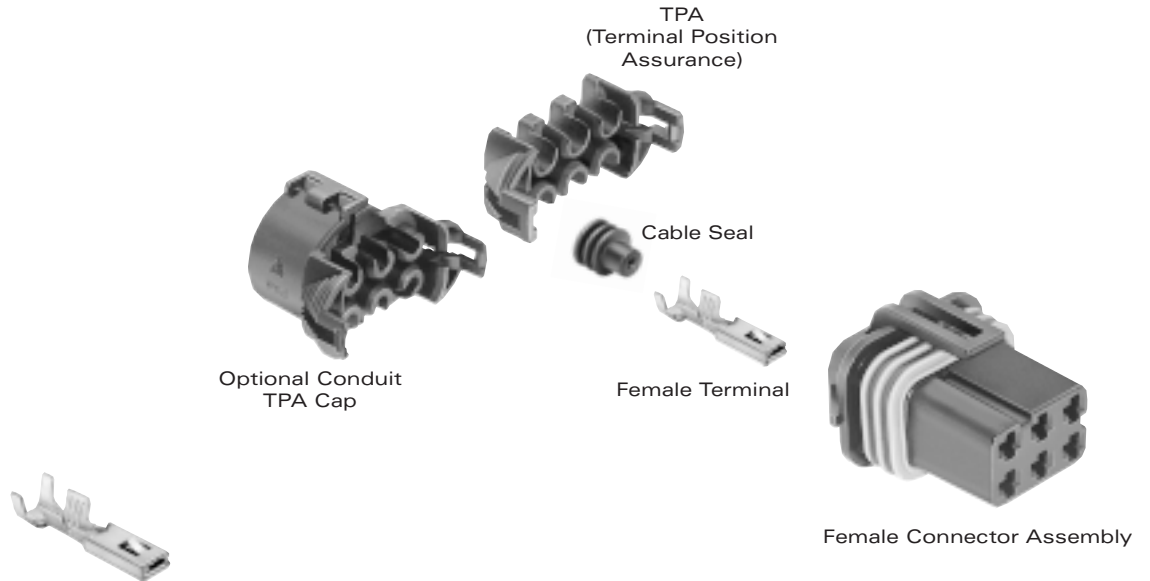
**Cross Sectional View**



**Female Connector Assembly**



**Male Connector**



**2.8 FEMALE TERMINALS SEALED**

Part #	Cable Range (mm <sup>2</sup> )	Material	Plating
12158098	1.5-0.5	Copper Nickel Silicon Alloy	Tin
12185008	2.5-1.5	Copper Nickel Silicon Alloy	Tin

**2.8 FEMALE CONNECTOR ASSEMBLY SEALED**

# Cavities	Connector	Color	Material	TPA
6	15344052	Black	PA6	12185000
Optional Conduit	TPA Cap	Black	PA6	10717815

**2.8 DUCON CABLE SEALS**

Reel Part #	Loose Part #	Cable Diameter	Material	Color
12089442	12048087	2.00-1.20	Silicone	Blue
10720769	15363981	2.40-1.60	Silicone	White
15363992	12048086	2.90-2.00	Silicone	Dk. Red

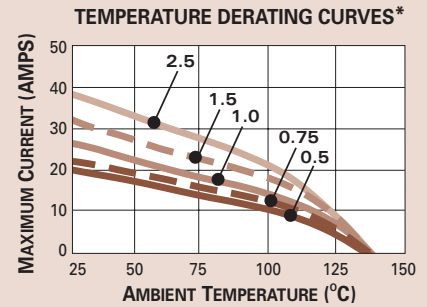
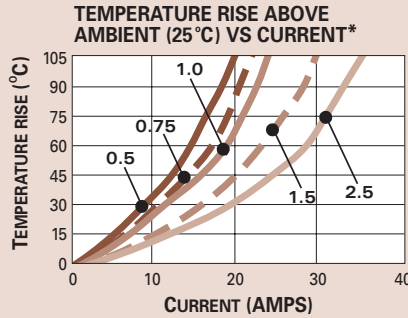
<http://delphi.com/products/connect>



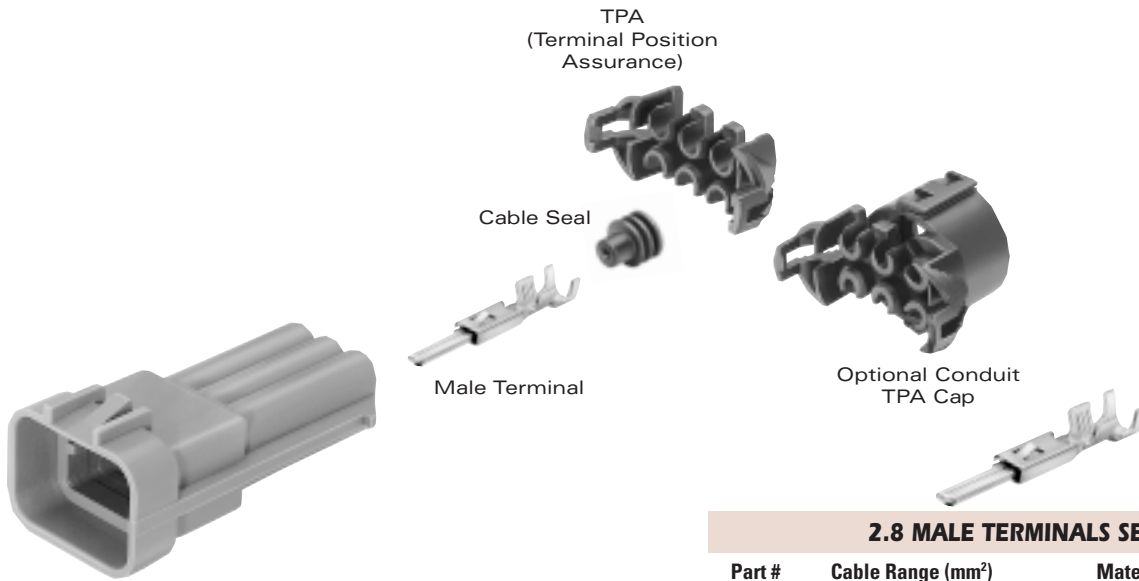
## Sealed System Application Information

**CABLE RANGE (mm<sup>2</sup>):** ..... 0.5-2.5  
**CURRENT RANGE (AMPS):** ..... 33  
**TEMP RANGE °C:** ..... -40 to 135  
**RESISTANCE:** ..... <10mΩ@20mV  
**VOLTAGE DROP:** ..... <4.0mV/amp  
**CENTERLINE SPACING (mm):** ..... 6.0  
**BLADE WIDTH (mm):** ..... 2.8

### 2.8 SERIES TERMINALS-Tin Plated



\*The test data are based on single circuits in free space and were generated using a "Lumped Resistance" model. This model does not account for all of the variables that would be present in an actual application. For actual product performance, contact your regional support representative at the number listed below.



Male Connector

#### 2.8 MALE CONNECTOR SEALED

# Cavities	Connector	Color	Material	TPA
6	12185126	Gray	PA6	12185000
Optional Conduit	TPA Cap	Black	PA6	10717815

#### 2.8 MALE TERMINALS SEALED

Part #	Cable Range (mm <sup>2</sup> )	Material	Plating
12185129	1.5-0.5	Copper Nickel Silicon Alloy	Tin
12185237	2.5-1.5	Copper Nickel Silicon Alloy	Tin



#### 2.8 DUCON CAVITY PLUGS\*

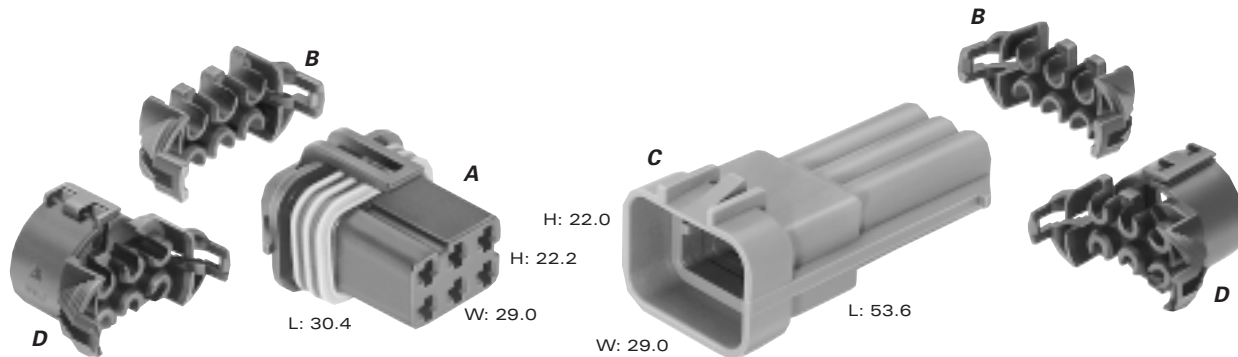
Part #	Cavity Inside Diameter	Material	Color
15337197	5.2mm	Silicone	White
10730124	5.2mm	Silicone	Green

\*Cavity plugs seal unused female and male cavities.

#### SECTION NOTES:

- Contact your regional support representative at the number listed below.
- Ducon Connection Systems have been validated using DIN Cable Standards.

<http://delphi.com/products/connect>



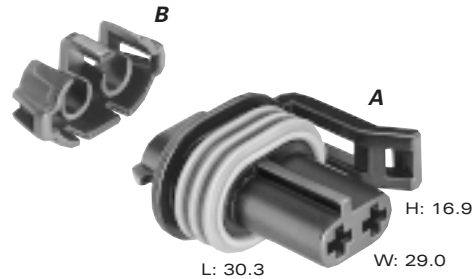
Total Mated Length: 67.0mm

**A PART NO: 15344052**  
 DESCRIPTION: Connector Assembly 6F  
 SIZE: 30.4L x 22.2H x 29.0W  
 COLOR: Black  
 MATERIAL: PA6  
 TERMINALS: See Page 206

**C PART NO: 12185126**  
 DESCRIPTION: Connector 6M (Clip Slot)  
 SIZE: 53.6L x 22.0H x 29.0W  
 COLOR: Gray  
 MATERIAL: PA6  
 TERMINALS: See Page 207

**B PART NO: 12185000**  
 DESCRIPTION: TPA  
 NUMBER REQ: 2  
 COLOR: Black  
 MATERIAL: PA6

**D PART NO: 10717815 (Optional)**  
 DESCRIPTION: Conduit TPA Cap  
 NUMBER REQ: 2  
 COLOR: Black  
 MATERIAL: PA6



**A** PART NO: **12185026\*(Black)**  
**15344040\*(Blue)**  
**15344042\*(White)**

DESCRIPTION: Connector 2F  
SIZE: 30.3L x 16.9H x 29.0W  
MATERIAL: PA6  
TERMINALS: See Page 206  
\*DIFFERENT INDEXING FEATURES.

**B** PART NO: **12185027**

DESCRIPTION: TPA  
COLOR: Black  
MATERIAL: PA6