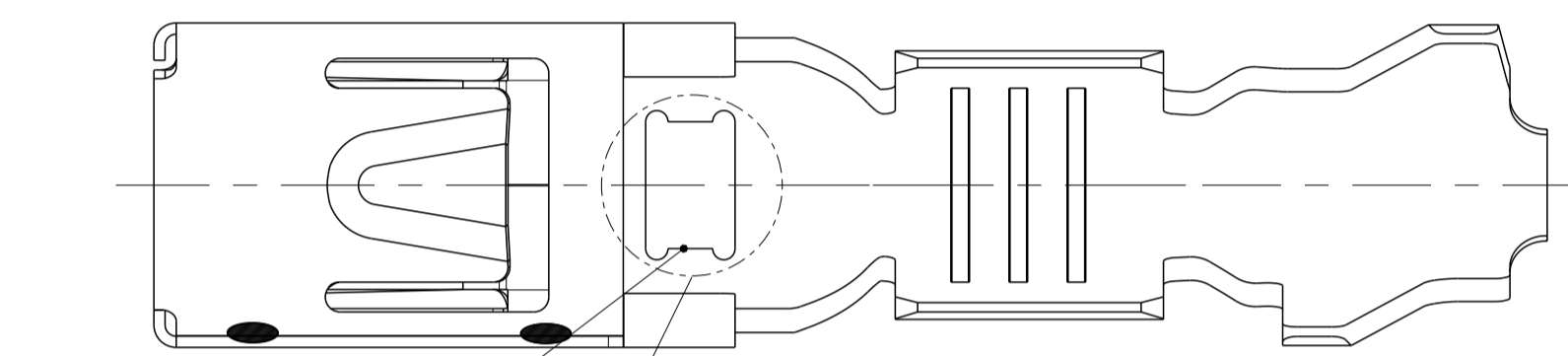
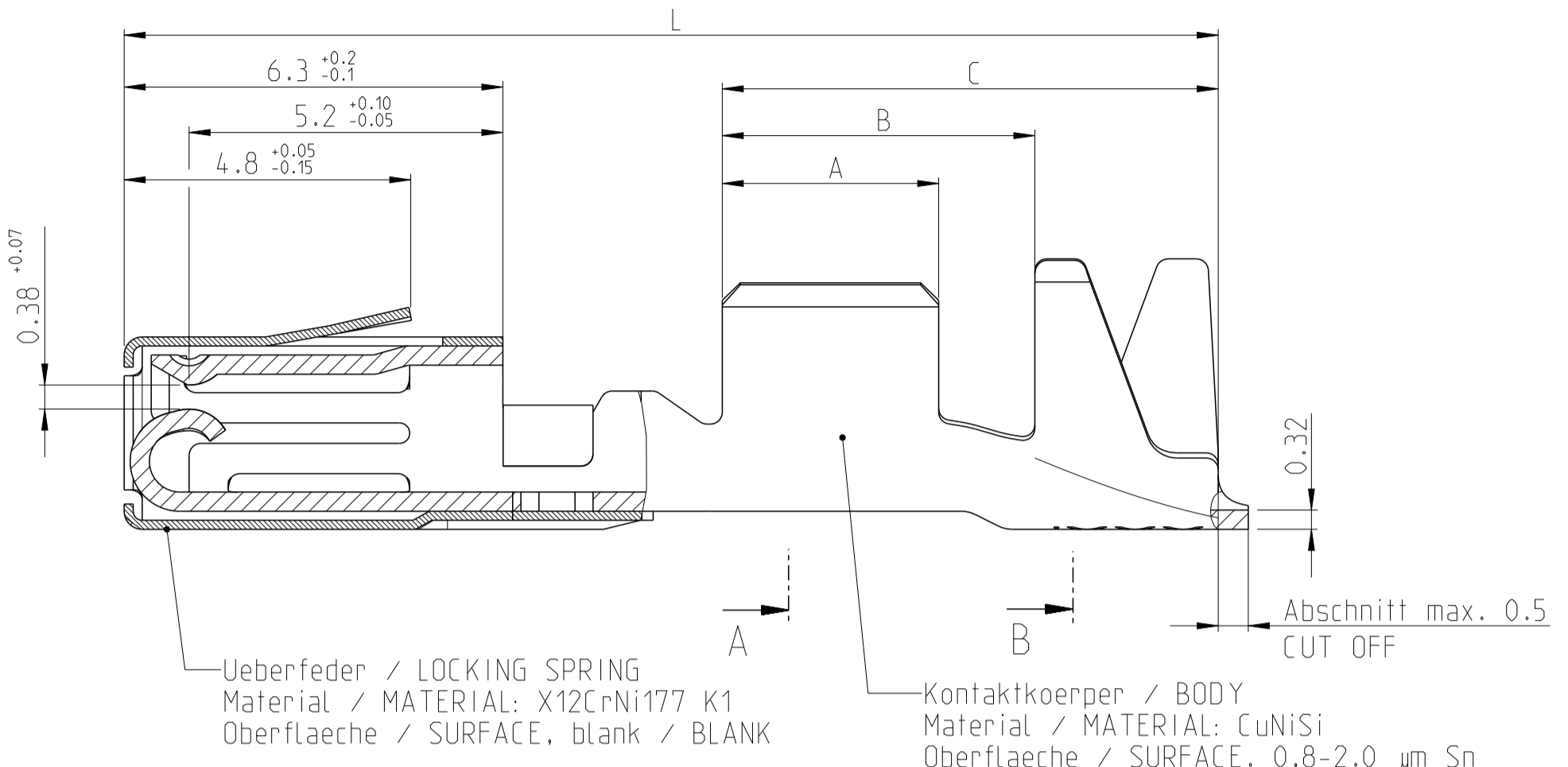


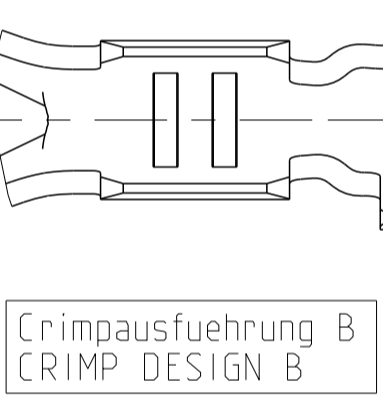
REVISIONS				
P.	LTN	DESCRIPTION	DATE	APVD
B6		ECR-14-015440	160C12014	MN SCHE
B7		NEW VARIANTS ADDED. NEW 3D DRW CREATED	09JUN2015	Mah SCHI
B8		DEACTIVATED PNs 1355950-4 AND 968075-4	17MAY2016	SCK SCHI
B9		CRIMP DESIGN TYPE column in table added	08NOV2017	MAH SCHI

Normale Anwendung
STANDARD APPLICATION

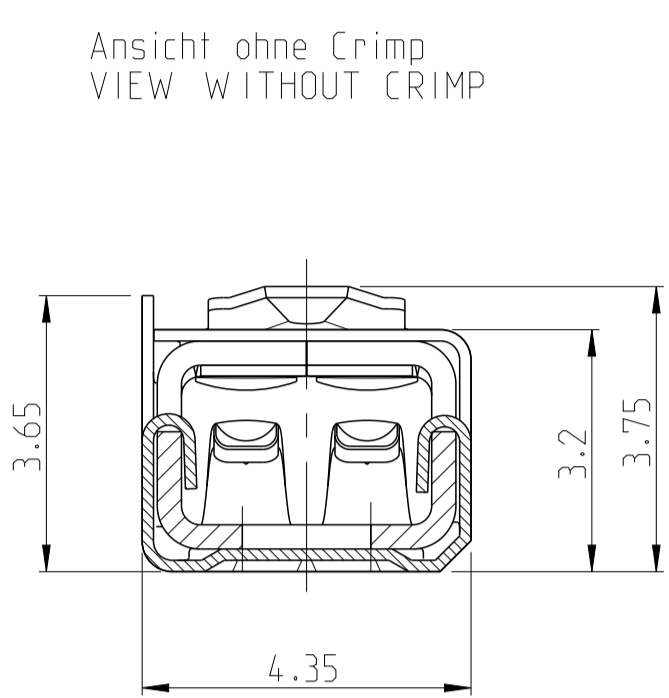
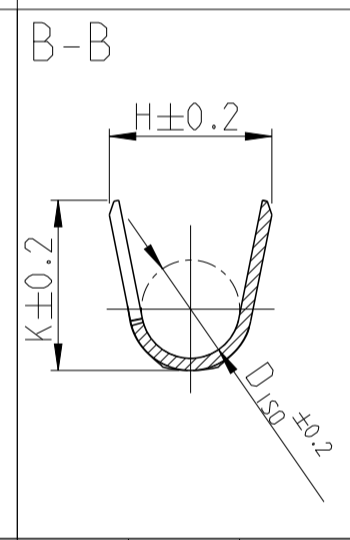
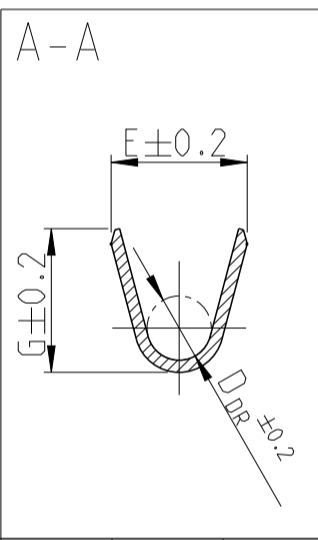
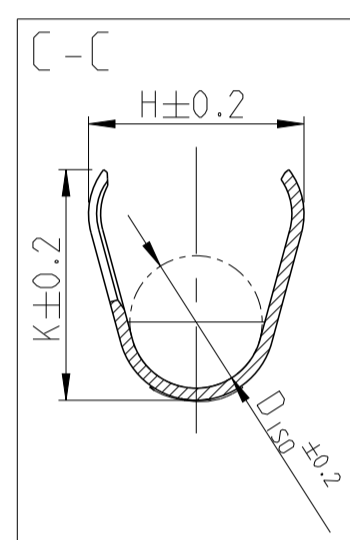


Fenster nicht fuer DGB 2.5-4.0 mm²
NO WINDOW FOR WIRE SIZE RANGE 2.5-4.0 mm²
optional
OPTIONAL

Crimpausfuehrung A
CRIMP DESIGN A

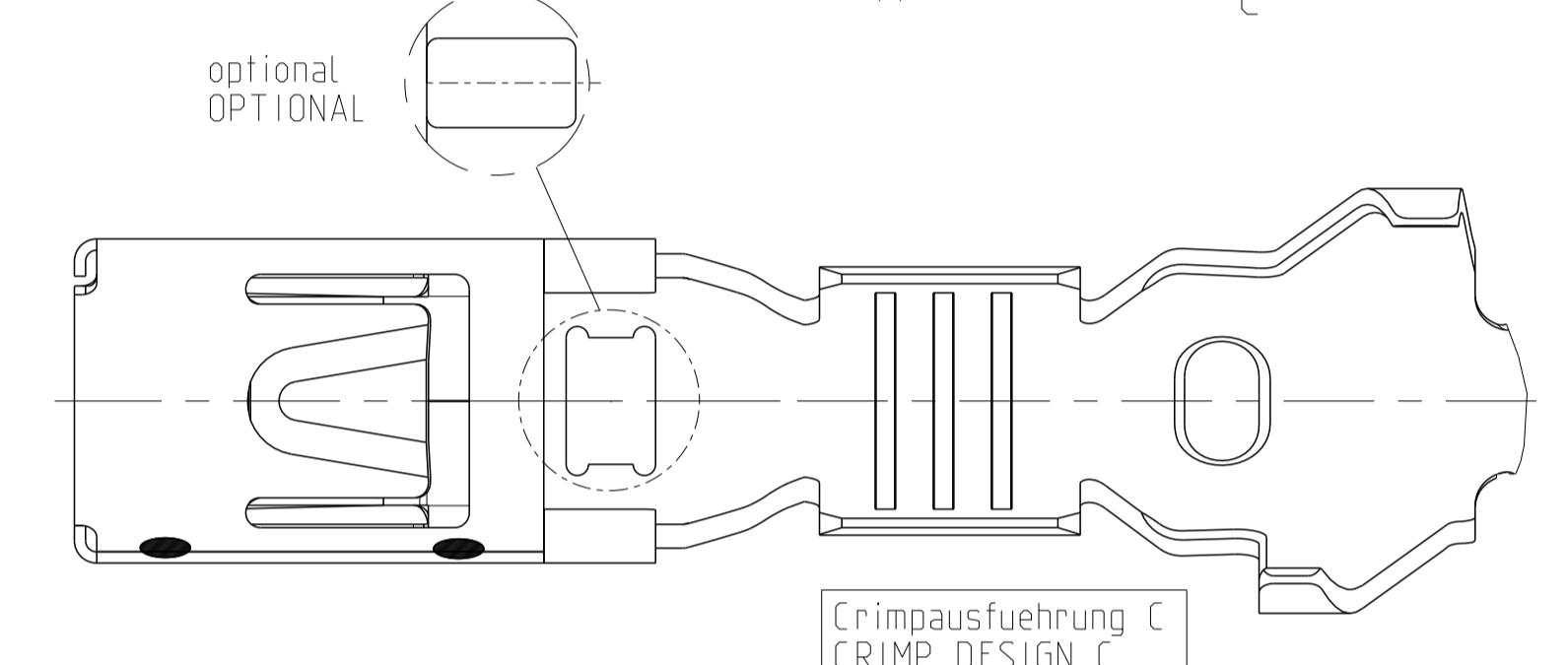
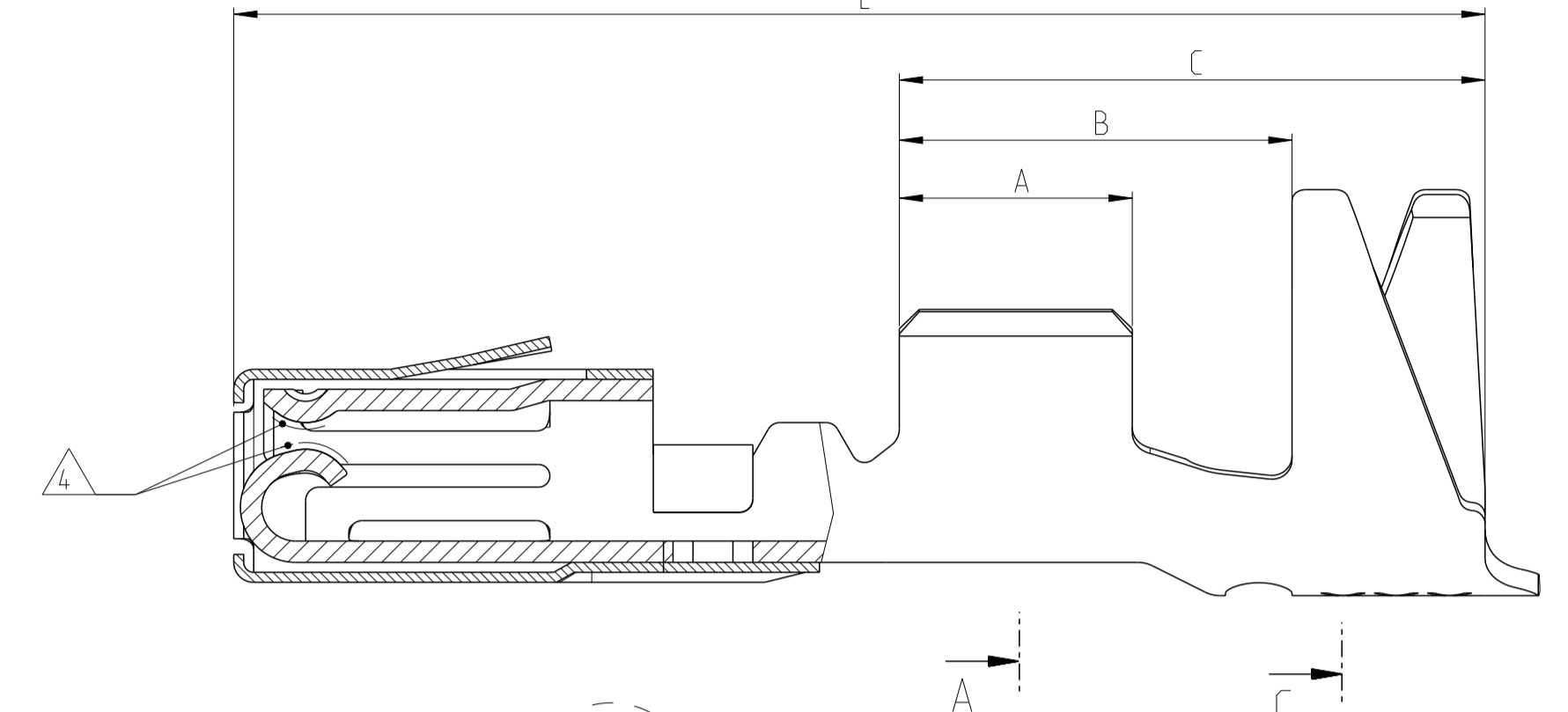


Crimpausfuehrung B
CRIMP DESIGN B

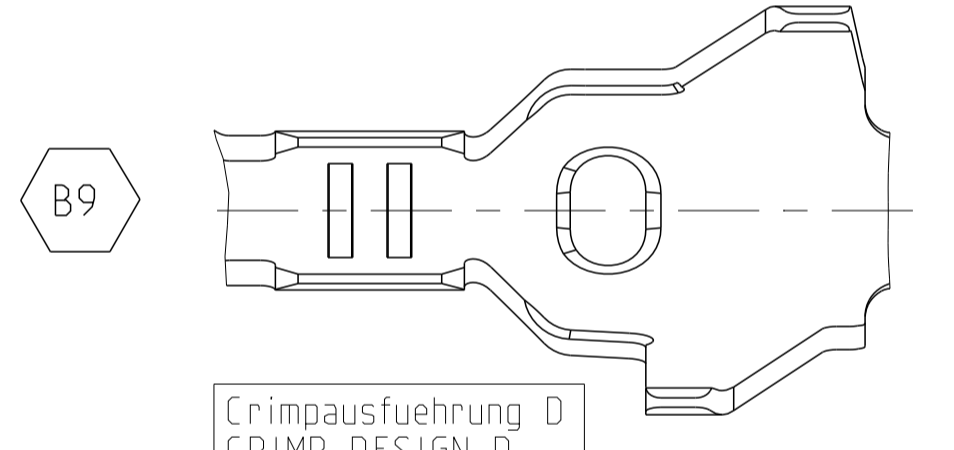


Einzeldichtungssystem
SINGLE WIRE SEAL SYSTEM

(MISSING DIMENSIONS SEE STANDARD APPLICATION)
(Fehlende Masse siehe normale Anwendung)



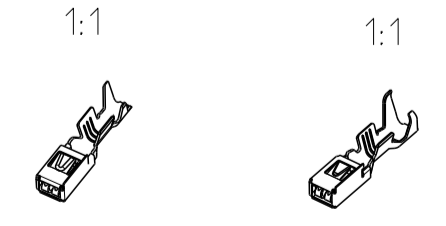
Crimpausfuehrung C
CRIMP DESIGN C



Crimpausfuehrung D
CRIMP DESIGN D

SUPERSEDED BY		REV.	DATE	DESCRIPTION	VERSION	DRAGTGRÖSSENBEREICH WIRE SIZE RANGE [mm ²]	CRIMPLÄNGEN CRIMP LENGTHS [mm]	DRAGTCRIMP WIRE CRIMP [mm]	ISOLATIONS CRIMP INSULATION CRIMP [mm]	KONTAKTLÄNGE CONTACT LENGTH [mm]	GRAMM GRAM	Gewicht WEIGHT	Verarbeitung APPLICATION	CRIMPAUSFUEHRUNG CRIMP DESIGN	Bestell-Nr. ORDER NO.	Farbe COLOUR
968075-5	968120-5	D	4	-	Einzelichtungssystem SINGLE WIRE SEAL SYSTEM	> 1.0-2.5	3.5 5.9 8.8	3.6 3.8	1.7 5.7 6.1 3.5	L	0.5			C	967609-1	gelb/YELLOW
968075-5	968119-4	D	6	-		> 0.5-1.0	3.0 5.4 8.3	2.5 2.7 1.2 5.5 5.9 3.3	18.8		0.5			D	967610-1	grau/GREY
968075-5	968119-2	D	-	X		0.35-0.5	2.5 4.9 7.8	2.1 2.1 0.8 5.4 5.7 3.2			0.5			A		
968075-5	968680-5	B	4	-	normale Anwendung STANDARD APPLICATION	> 2.5-4.0	4.0 5.9 9.3	4.5 4.7 2.3 5.4 5.6 3.2	19.6		0.5					
968075-5	968680-2	B	-	X							0.5					
968075-5	1355950-5	-	4	-							0.5					
968075-5	1355950-4	A	6	-							0.5					
968075-5	1355950-3	B	8	-							0.5					
968075-5	968075-5	D	4	-							0.5					
968075-5	968075-4	A	6	-							0.5					
968075-5	968075-3	B	8	-		> 1.0-2.5	3.5 5.2 8.25	3.6 3.8 1.7 4.3 4.5 2.6	18.2		0.5					
968075-5	968075-2	D	-	X		> 0.5-1.0	3.0 4.6 7.0	2.5 2.7 1.2 3.2 3.4 1.8			0.5					
968075-5	968074-5	D	4	-		0.35-0.5	2.5 3.7 5.8	2.1 2.1 0.8 2.9 2.9 1.4			0.5					
968075-5	968074-2	D	-	X							0.5					
968075-5	968678-5	B	4	-							0.5					
968075-5	968678-2	B	-	X							0.5					

- NOTES
Bemerkungen
- SUITABLE FOR PIN CONTACT SEE DRAWING:
Passend zu Stiftkontakt:
TE: 1355933
 - FOR FLR-CONDUCTOR ACCORDING TO DIN 72551, PART 6 ONLY
Nur fuer FLR-Leitungen nach DIN 72551, Teil 6
 - DETAILS OF DESIGN ARE LEFT TO MANUFACTURER
Einzelheiten der Ausfuehrung bleiben dem Hersteller ueberlassen
- 4 MIN. 0.8 μm Au OVER MIN. 1.2 μm Ni
Min. 0.8 μm Au ueber min. 1.2 μm Ni
- 5 2-4 μm ELECTROPLATED SILVER
2-4 μm galvanisch Silber
- 6 MIN. 0.8 μm PdNi OVER MIN. 1.2 μm Ni
Min. 0.8 μm PdNi ueber min. 1.2 μm Ni
- 7 FOR INSPECTION PURPOSES ONLY
Nur fuer Pruefzwecke
- 8 MIN. 2.8-5.0 μm Ag OVER MIN. 0.2-1.0 μm Ni
Min. 2.8-5.0 μm Ag ueber min. 0.2-1.0 μm Ni



THIS DRAWING IS A CONTROLLED DOCUMENT.		OWN S.Garcia 22MAY2000	TE Connectivity	
DIMENSIONS: mm		CHK R.Jetter 22MAY2000	NAME MICRO POWER QUADLOK BUCHSENKONTAKT	
TOLERANCES UNLESS OTHERWISE SPECIFIED:		APVD	TABLETZEICHNUNG BUCHSENKONTAKT	
1 PLC ± n. ISO 8015	2 PLC ± n. ISO 2768	PRODUCT SPEC	108-18476-1	
3 PLC ± mH ±E	4 PLC ± n. DIN 16901	APPLICATION SPEC	114-18141-1	
MATERIAL		WEIGHT	RESTRICTED TO	
-		-	A1 00779 ©=1355934	
-		CUSTOMER DRAWING	SCALE 5:1 SHEET 1 OF 1 REV B9	