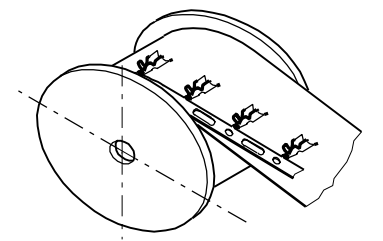
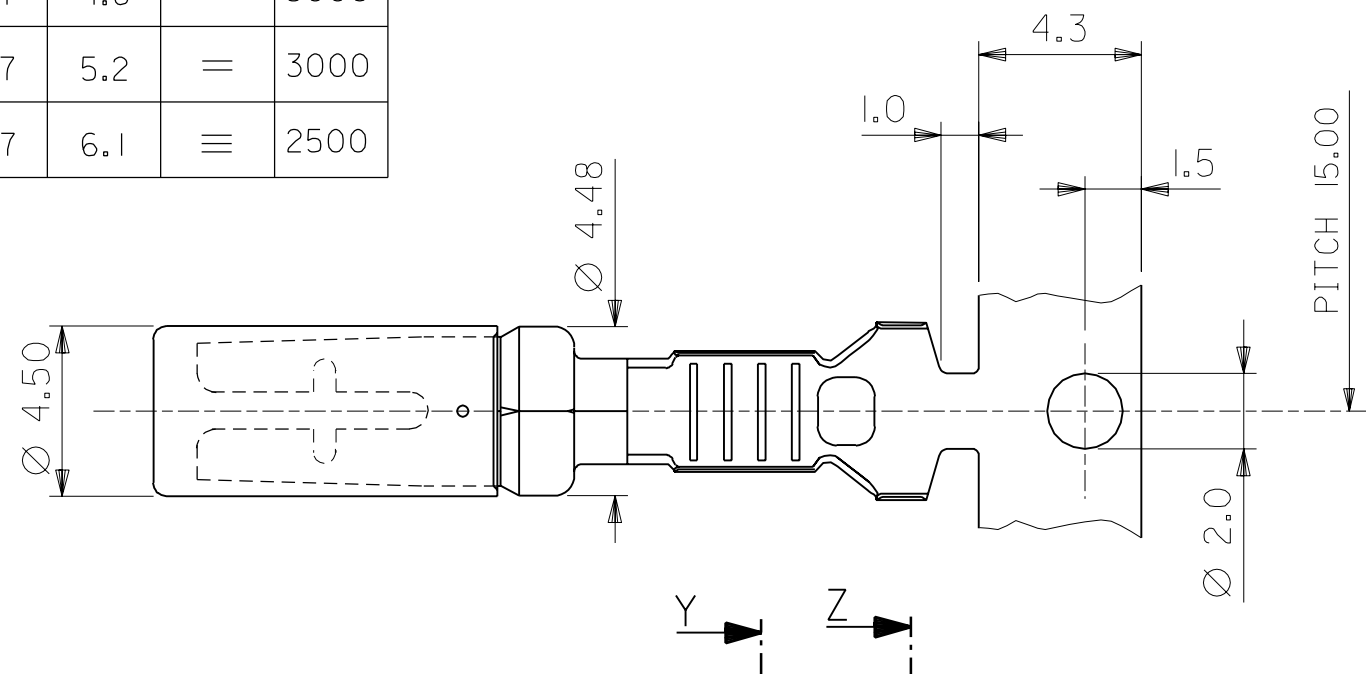


PART NO.	WIRE		B1	H1	B2	H2	M	PARTS PER REEL
	SQ mm <sup>2</sup>	INS. Ø mm						
98012-1102	0.5-1.0	1.4-3.3	3.2	3.2	4.7	4.6	—	3000
98012-1202	1.5-2.5	2.1-4.2	4.1	3.8	5.7	5.2	=	3000
98012-1302	2.5-4.0	2.6-4.9	4.4	4.5	6.7	6.1	≡	2500

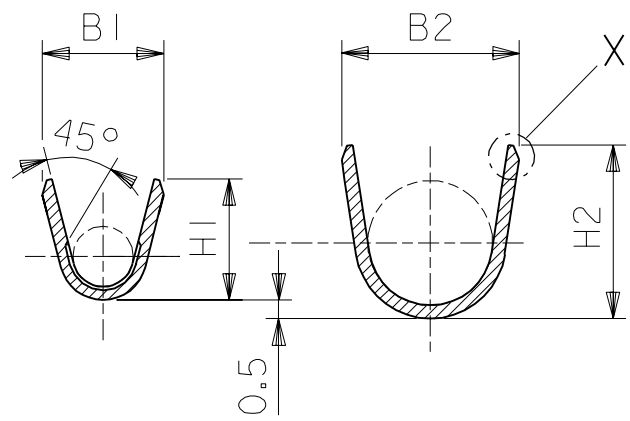


NORMAL FINISHED PARTS

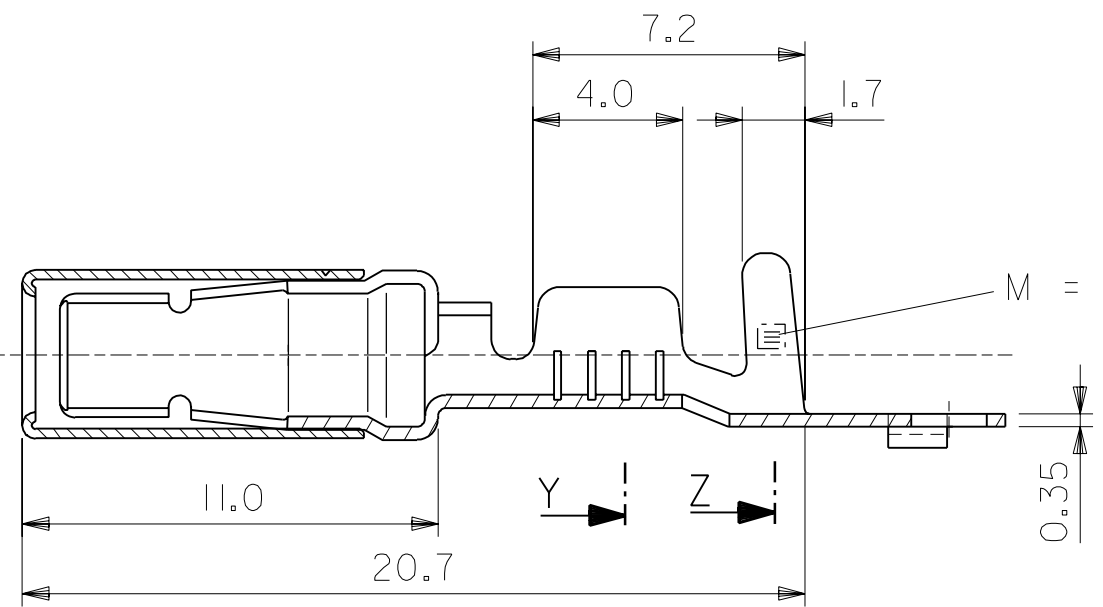
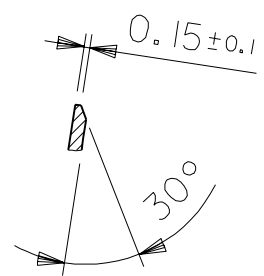


SECTION Y-Y  
SCHNITT Y-Y

SECTION Z-Z  
SCHNITT Z-Z



DETAIL X  
EINZELHEIT X



M = MARKING OUTSIDE

MATERIAL

BODY: PHOSPHOR BRONZE  
KOERPER: KUPFER-ZINN-LEGIERUNG

SLEEVE: BRASS  
BUCHSE: MESSING

FOR PREVIOUS  
DRAWING ISSUES  
SEE "EDIS"

ECN MXG 1281 17.02.94 H. DIETZ	REVISIONS	THIRD ANGLE PROJECTION	
		DRWG BY HD	CHK'D BY SCH
E	LTR	APP'D BY APO	
		SCALE 5:1	

DIMENSIONS SHOWN ( METRIC ) INCH	
UNLESS OTHERWISE SPECIFIED TOLERANCES: ANGULAR ±	
3 PLACE ±	±
2 PLACE ±	± 0.15
1 PLACE ±	± 0.30
DRAFT WHERE APPLICABLE MUST REMAIN WITHIN DIMENSIONS	
DESIGN DIMENSION (PRIMARY)	<input checked="" type="checkbox"/> (MM) <input type="checkbox"/> IN.
EQUIVALENT DIMENSION (SECONDARY)	<input type="checkbox"/> (MM) <input type="checkbox"/> IN.

REVISE ONLY ON CAD SYSTEM		SH.	REV.
CADCAM FILENAME SD98012 DCN	THIS DRAWING CONTAINS INFORMATION THAT IS PROPRIETARY TO MOLEX INC. & SHOULD NOT BE USED WITHOUT WRITTEN PERMISSION		
TITLE FEMALE TERMINAL 2.8mm			
MOLEX MOLEX EUROPE		SHEET NO. 1 / 1	DATE 21 / 10 / 91
PART NO. SEE TABLE	DWG NO. SD-98012	SIZE B	