

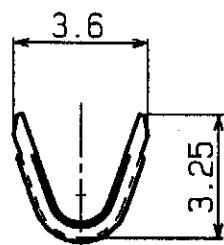
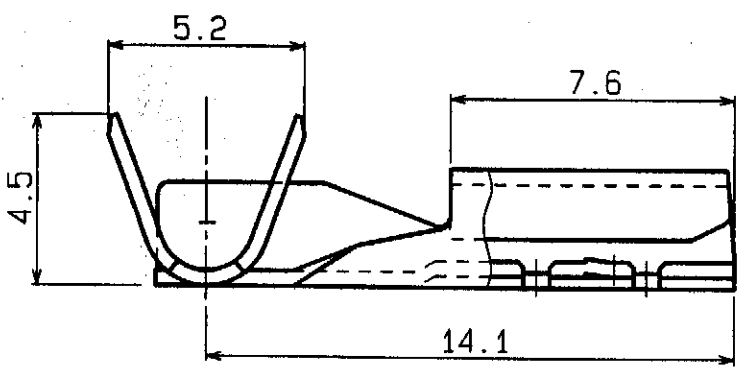
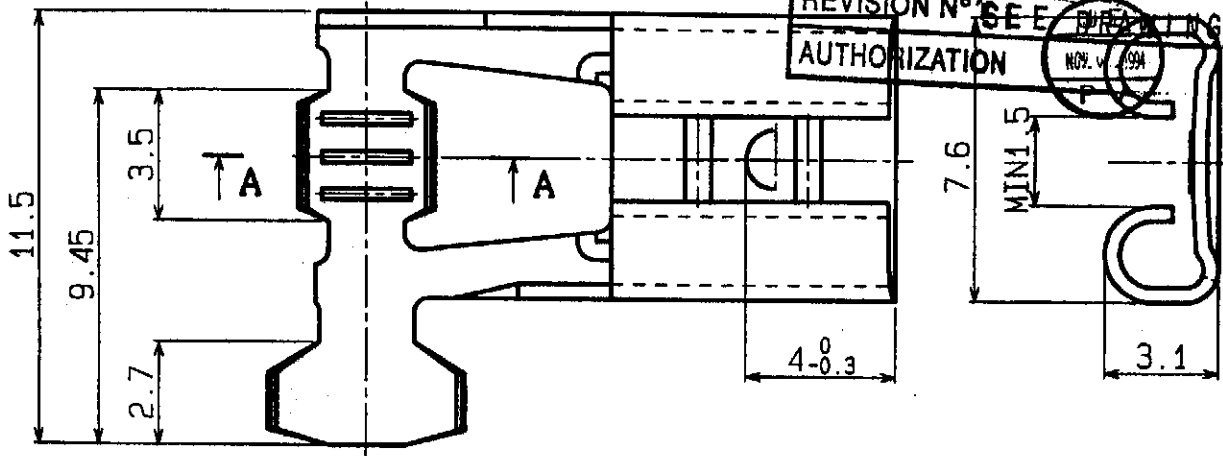
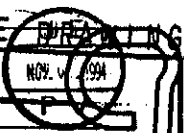
CONTROLLED COPY

NUMBER: ECE

DATE: 07 06 06

REVISION N° SEE DRAWING

AUTHORIZATION



A - A SEC.



NOTE

- 1. Dimensions are in MM.
- 2. General tolerances
 - 0 ~ 3.0 : ±0.2
 - 3.1 ~ 9.0 : ±0.3
 - 9.1 ~ : ±0.5

						REVISIONS	
TERMINAL		BRASS		TIN-PLATED t=0.4			
No.	NAME	MATERIAL	REMARKS				
J. S. T.						PART NAME	
APPROVED BY	CHECKED BY	DRAWN BY	SCALE	PROJECTION	DATE	PART No.	
<i>K. Sacks</i>	<i>S. Jones</i>	R.F	<i>6</i>		SEP. 29 '94	SFO-1.0T-250N	
						DRAWING No.	
						KRD - 14418-1	

THIS DRAWING CONTAINS INFORMATION THAT IS PROPRIETARY TO JST AND SHOULD NOT BE USED WITHOUT WRITTEN PERMISSION.