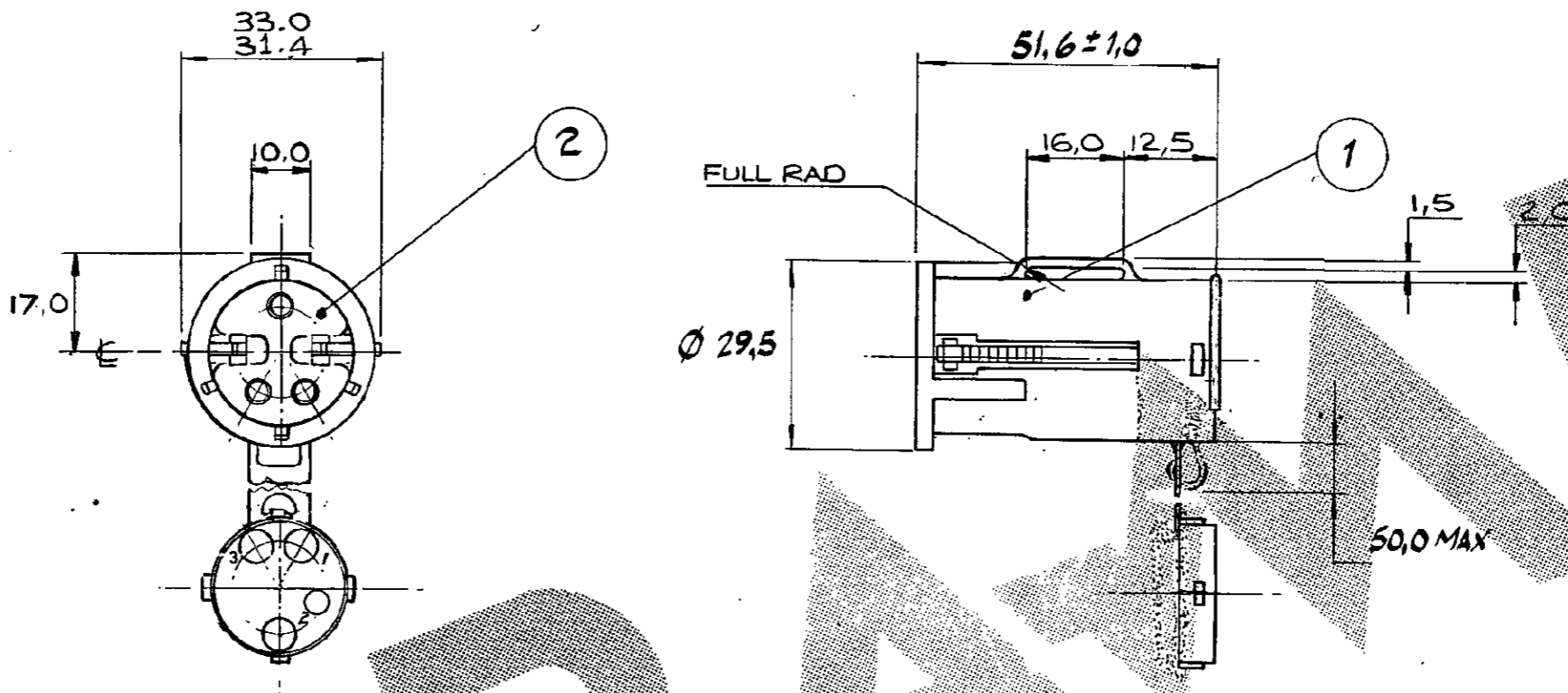



NUMBER C343049



NOTES:-

- 1. USE CONTACT Pt/Nº 342543 OR 342545 & CABLE SEAL Nº 342526
- 2. THIS CONNECTOR MATES WITH CONNECTOR Pt/Nº 343062
- ③ NYLON 66, UL 94 V2.
- ④ NEOPRENE (SILICONE OIL LUBRICATED) BS 2752 C40 COLOUR BLACK.
- ⑤ OBSOLETE PARTS: OBSOLETE CIS STREAMLINING PER D.RENAUD/D.SINISI
- ⑥ OBSOLETE

2	FACE SEAL	342525-1	1	④			
1	PIN HOUSING	343033-9	1	③	BLACK	343049-9	
2	FACE SEAL	342525-1	1	④			
1	PIN HOUSING	343033-8	1	③	BROWN	343049-8	OBSOLETE
2	FACE SEAL	342525-1	1	④			
1	PIN HOUSING	343033-7	1	③	VIOLET	343049-7	
2	FACE SEAL	342525-1	1	④			
1	PIN HOUSING	343033-6	1	③	BLUE	343049-6	
2	FACE SEAL	342525-1	1	④			
1	PIN HOUSING	343033-5	1	③	GREEN	343049-5	OBSOLETE
2	FACE SEAL	342525-1	1	④			
1	PIN HOUSING	343033-4	1	③	ORANGE	343049-4	
2	FACE SEAL	342525-1	1	④			
1	PIN HOUSING	343033-3	1	③	YELLOW	343049-3	
2	FACE SEAL	342525-1	1	④			
1	PIN HOUSING	343033-2	1	③	RED	343049-2	
2	FACE SEAL	342525-1	1	④			
1	PIN HOUSING	343033-1	1	③	NATURAL	343049-1	
ITEM	DESCRIPTION	PART NO.	NO. OFF	MATERIAL	COLOUR	ASSEMBLY NO.	

© AMP of GREAT BRITAIN LTD 1982				CUSTOMER COPY REFERENCE ONLY			
MATERIAL AND FINISH AS TABLE				 TERMINAL HOUSE, STANMORE, MIDDX.			
A1 ECO-09-026346				CLASS			
A PICTORIALY ALTERED				WIRE — RANGE — INSULATION TYPE			
O RELEASE FOR PRODUCTION				TOLERANCE EXCEPT AS NOTED ± 0,50 ± 1° 0'			
ISS REVISION RECORD DR CHK DATE				SCALE 1:1			
DR TTS 22-3-82 DE				LOC E B NO C343049 REV A1			
CHKD [Signature]				NAME 3. WAY PIN HOUSING ASSY. (SEALED)			