

YESC Kaizen Connector Male Housing

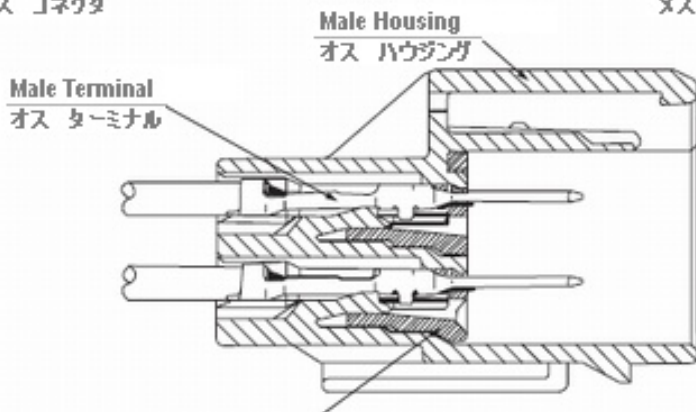


(Unit:mm)

Configuration diagram

Male Connector

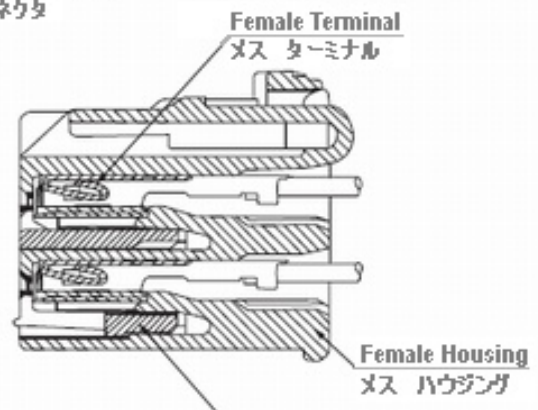
オス コネクタ



Male Pre-set Secondary Terminal Lock (TPA)
オス側 事前組付け二重係止板

Female Connector

メス コネクタ



Female Pre-set Secondary Terminal Lock (TPA)
メス側 事前組付け二重係止板

Specifications

Classified Parts	Housing
Family	*2 YES/YESC Kaizen Connectors
Type	2.8X0.8
Yazaki Part Number	7282-6445-40
Connection Type	Wire to Wire
Unsealed/Seald	Unsealed
Male/Female	Male
Number of Poles	2
Tab Width mm(inches)	2.8(110)
Material	PBT
Plating	-
Color	Light Gray
Rating	-
Mating Part Numbers	7283-6445-40
Product Specification No.	YPES-11-05-170
Instruction Manual No.	YPES-15-599

Product Specification	
Allowable Current(Ref.)	20A(Ref)
Low Level Contact Resistance	10milli ohm Max.(Initial)
Insulation Resistance	20Megohm Min.(at 500VDC)
Withstanding Voltage	1000V AC (1min.)
Temperature Range	*9 -40 to 100deg.C

Application List of Installable Components		
Terminals	Wire Seals	Holders
7114-4110-02	-	-
7114-4111-02	-	
7114-4112-02	-	

*3)Heavy Duty Type, *4)Single Pole Type, *5)Material NBR, *6)5mm pitch, *7)5.5mm pitch

*8)For installable components for the hybrid series, refer to the related component table.

*9)Operating Temperature Range includes temperature rise caused by current flow.

«Note for Purchase»

This brochure includes information on the parts developed jointly with particular customer(s) and approval from the customer(s) may be required for sales.

We would appreciate it if you could contact us prior to purchase.