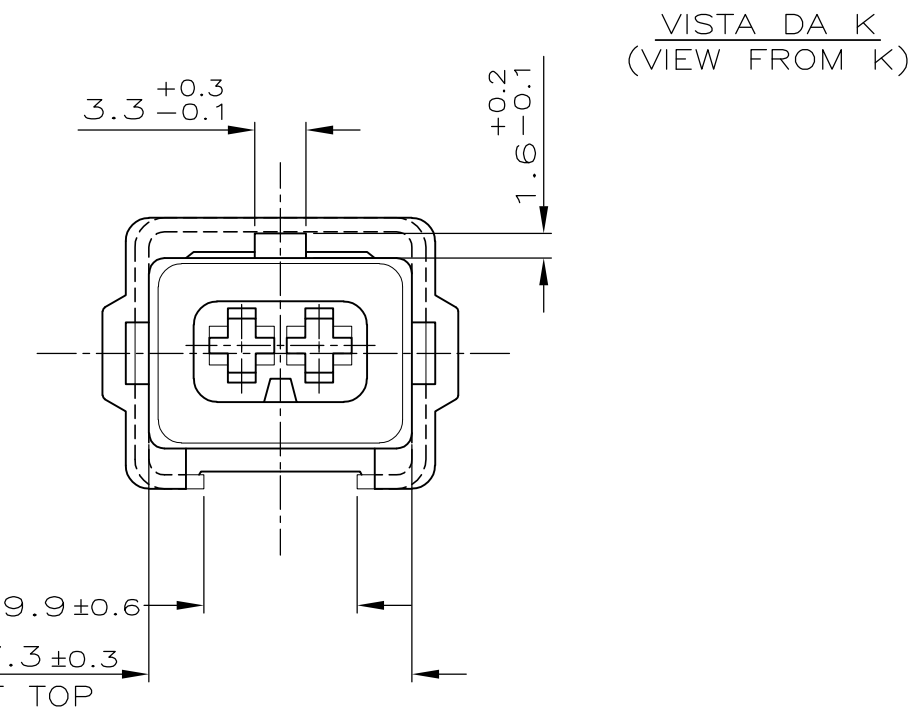
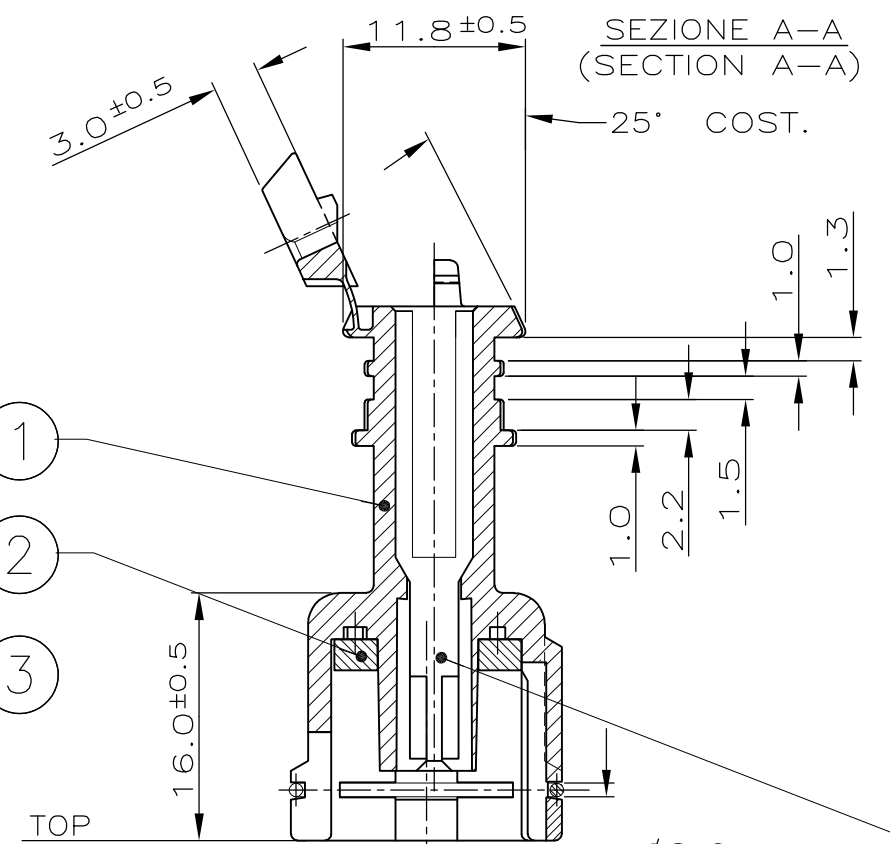
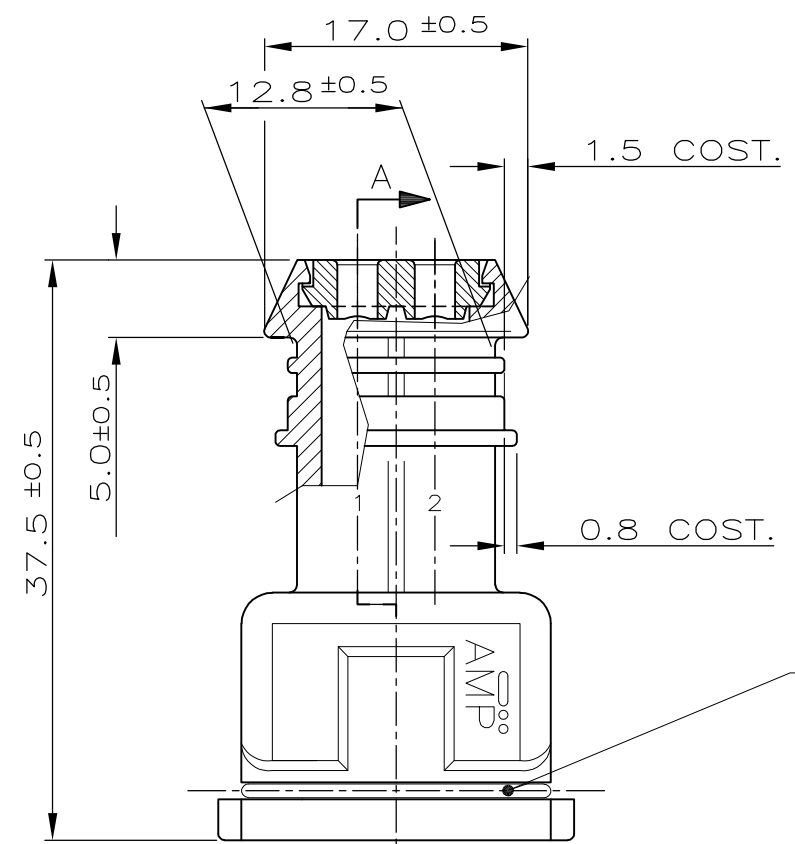


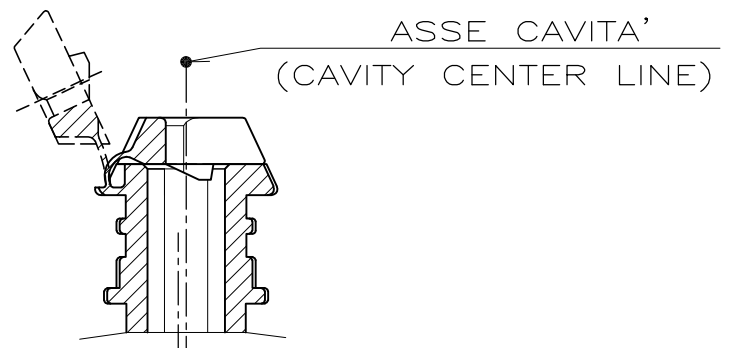
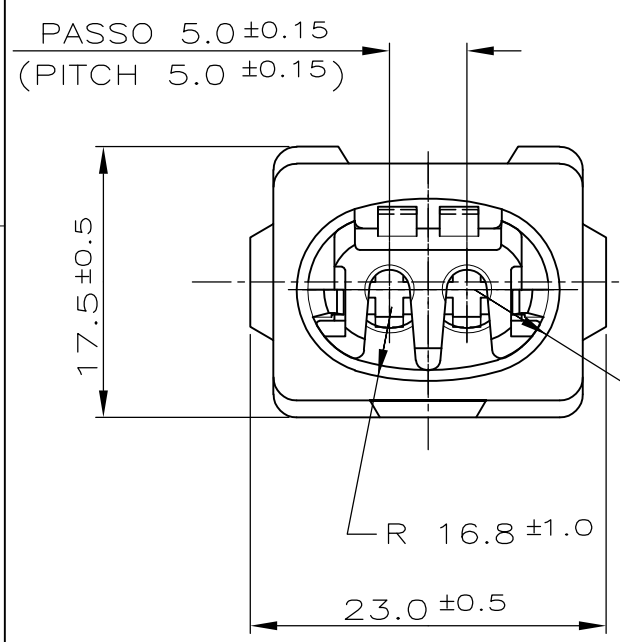
THIS DRAWING IS UNPUBLISHED. RELEASED FOR PUBLICATION  
 © COPYRIGHT - By - ALL RIGHTS RESERVED.

CONNETTORE TIPO B (CON MOLLA DI RITEGNO INTERNA)  
 CONNECTOR TYPE B (WITH INTERNAL SPRING)

Loc	DIST	REVISIONS			
P	LTR	DESCRIPTION	DATE	DWN	APVD
L1		REVISED PER ECO-11-005033	21MAR11	RK	HMR
M		ECR-14-003472	24MAR14	MP	MG



TIP. CAVITA' PER TERMINALI AMP JPT P/N 929939-...  
 OPPURE 929937-... E RELATIVI GOMMINI  
 AMP P/N 828904-1, 828905-1, 282536-1.  
 TAPPO CAVITA' P/N 828906-2  
 (TYP. CAV. FOR JPT CONT. P/N 929939-.. A/O 929937-.. AND REL.  
 SINGLE WIRE SEAL P/N 828904-1, 828905-1, 282536-1  
 CAVITY PLUG P/N 828906-2)



COLORE / COLOR	NUMERO PART. No	N (ITEM)	FINITURA / COLORE (FINISH / COLOUR)	MATERIALE (MATERIAL)	DESCRIZIONE (DESCRIPTION)
ROSSO (RED)	282190-8			ACCIAIO INOX (STAINLESS STEEL)	MOLLA (SPRING)
GIALLO (YELLOW)	282190-7				
MARRONE (BROWN)	282190-6	3	///////	GOMMA SILICONICA (SILICONE RUBBER)	GUARNIZIONE (RUBBER GASKET)
BLU (BLUE)	282190-5				
VERDE (GREEN)	282190-4	2	NATURALE (NATURAL)		
NATURALE (NATUR)	282190-3				
GRIGIO (GREY)	282190-2			PA 6.6	BLOCCETTO (HOUSING)
NERO (BLACK)	282190-1	1	///////		

THIS DRAWING IS A CONTROLLED DOCUMENT. DWN 9 NOV 90 Ennio CINI  
 CHK 13 OCT 92 C.TARTARI  
 APVD - NAME  
 PRODUCT SPEC -  
 APPLICATION SPEC -  
 WEIGHT -  
 CUSTOMER DRAWING

**STE** TE Connectivity  
 2 W.SPLASH PROOF CONN.ASS'Y with SECONDARY LOCK

SIZE A3 CAGE CODE 00779 DRAWING NO C=282190 RESTRICTED TO -  
 SCALE NTS SHEET 1 of 2 REV M

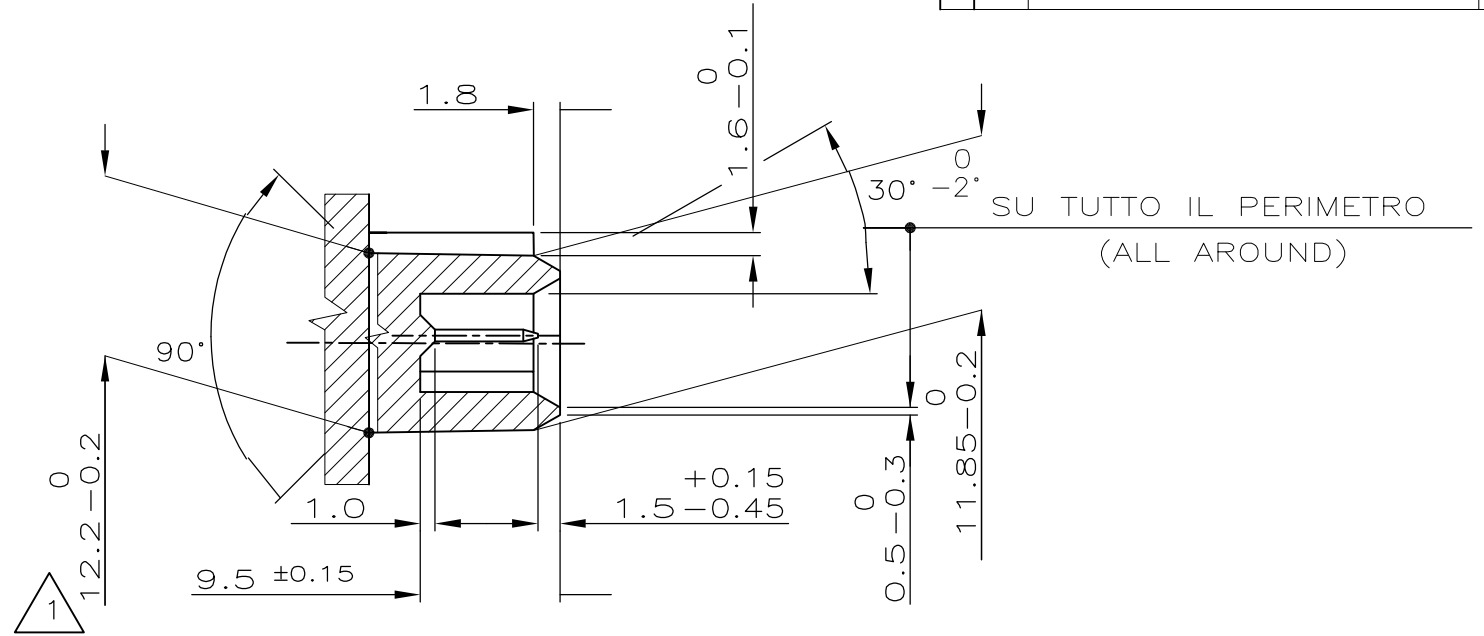
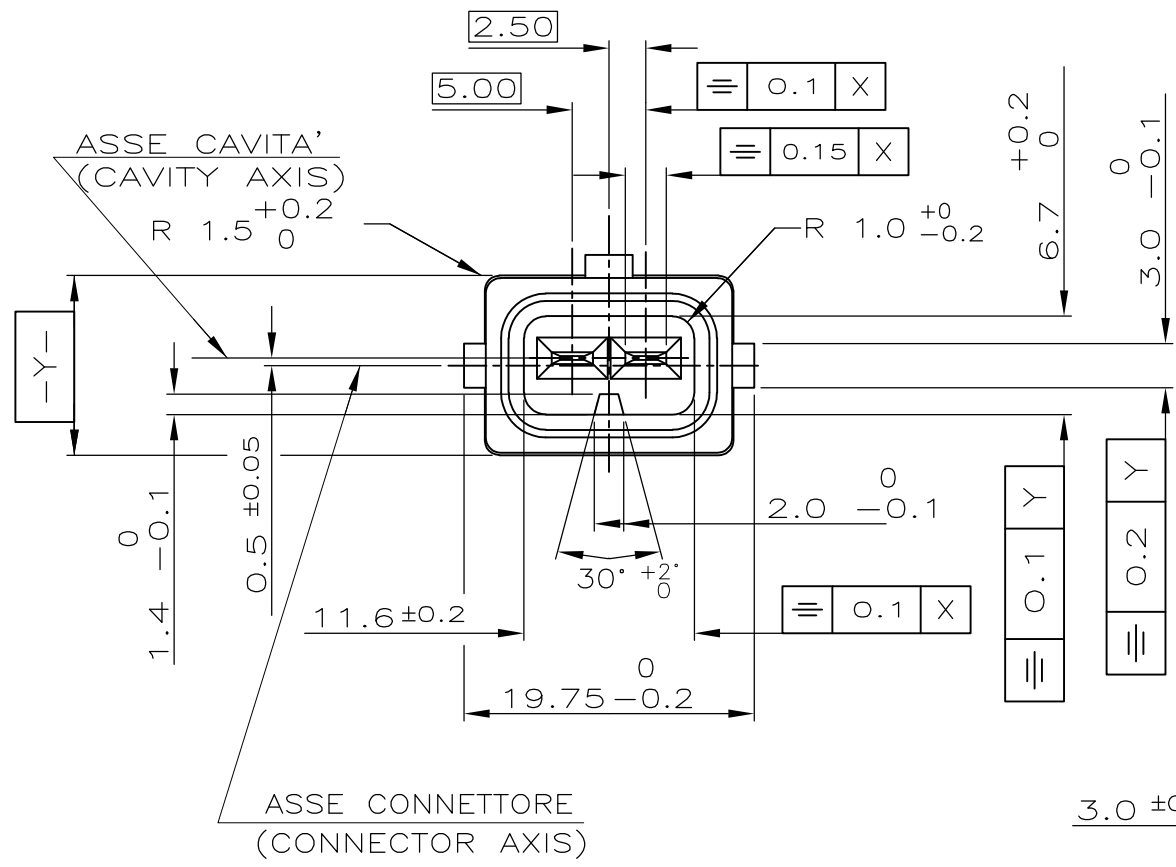
CUSTOMER DWG. FOR REFERENCE ONLY  
 DISEGNO PER CLIENTE SOLO PER RIFERIMENTO

**METRIC** DIAM. ISOLANTE (INS. DIA. RANGE) 1.5-3.0mm (REDUCED INS. CABLE) RANGO FILO (WIRE RANGE) 0.5-2.5 mm<sup>2</sup>

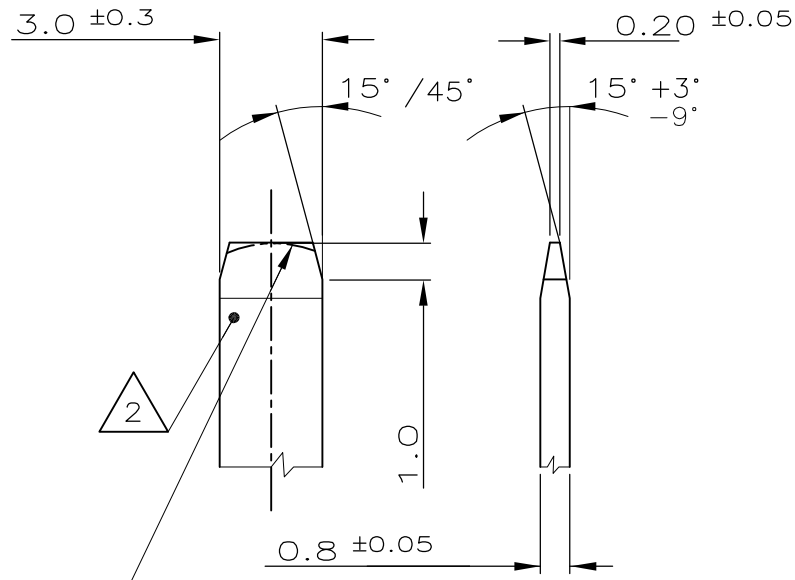
THIS DRAWING IS UNPUBLISHED. RELEASED FOR PUBLICATION  
 © COPYRIGHT - By - ALL RIGHTS RESERVED.

**METRIC**

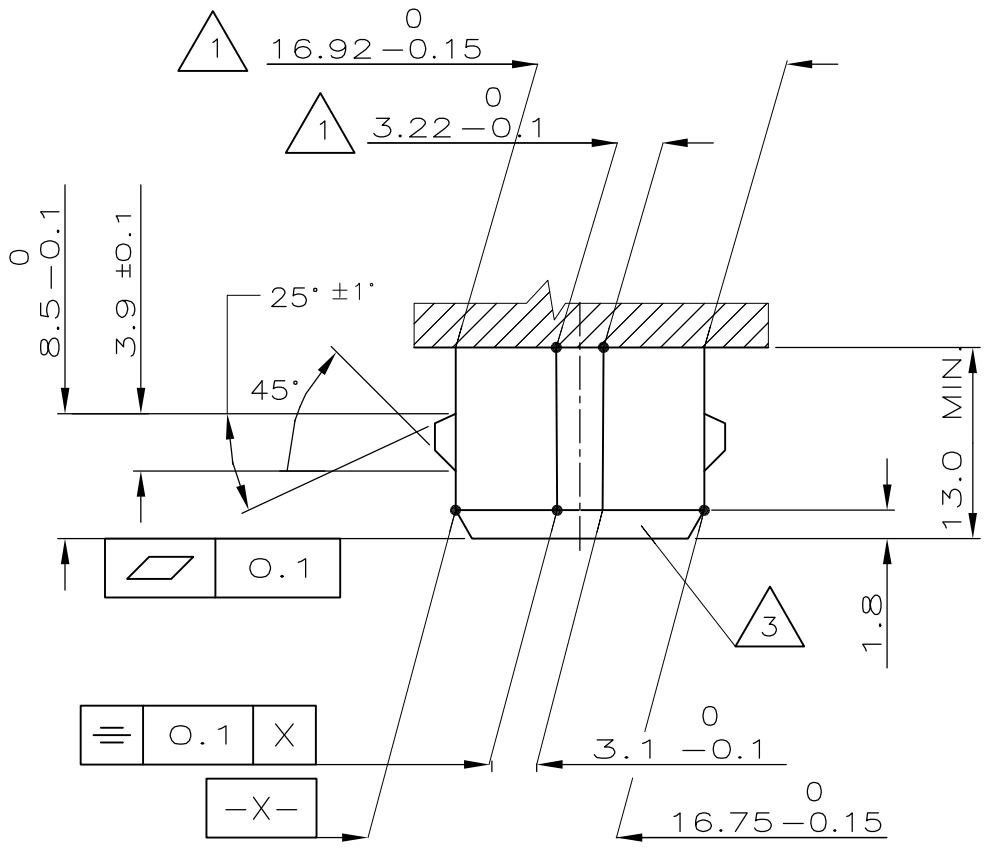
LOC		DIST		REVISIONS			
P	LTR	DESCRIPTION	DATE	DWN	APVD		
-	-	SEE SHEET 1	-	-	-		



DETT. CONTATTO SC. 5:1  
(TAB DETAIL SC. 5:1)



- 1 QUOTE APPLICABILI PER SFORMATURA PEZZO (RIGHT DIMENSIONS FOR EXTRACTION ITEM FROM THE MOULD)
- 2 MATERIALE CONTATTI: LEGA DI RAME STAGNATA, ES. OTTONE STAGNATO. (TAB MATERIAL: TINNED Cu ALLOY, E.G. TINNED BRASS)
- 3 MATERIALE BLOCCHETTO: TERMOPLASTICO CARICATO FIBRA VETRO. (HOUSING MATERIAL: THERMOPLASTIC GLASS FIBER FILLED).



DIAM. ISOLANTE (INS. DIA. RANGE) SEE SHEET 1		RANGO FILO (WIRE RANGE) SEE SHEET 1		FINITURA / COLORE (FINISH / COLOUR)		MATERIALE (MATERIAL)		NUMERO (PART NUMBER)	
THIS DRAWING IS A CONTROLLED DOCUMENT.				CUSTOMER DWG. FOR REFERENCE ONLY		DISEGNO PER CLIENTE SOLO PER RIFERIMENTO			
DIMENSIONS: mm		TOLERANCES UNLESS OTHERWISE SPECIFIED:		DWN -		CHK -		APVD -	
		0 PLC ± - 1 PLC ± 0.3 2 PLC ± - 3 PLC ± - 4 PLC ± - ANGLES ± 2°		PRODUCT SPEC -		NAME		2 POS.SPLASH PROOF CONN.ASS'Y with SECONDARY LOCK	
MATERIAL -		FINISH -		APPLICATION SPEC -		SIZE A3		CAGE CODE 00779	
				WEIGHT -		DRAWING NO C=282190		RESTRICTED TO -	
CUSTOMER DRAWING				SCALE NTS		SHEET 2 of 2		REV L1	