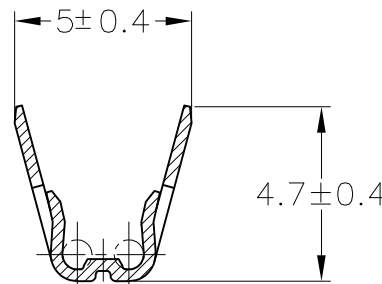
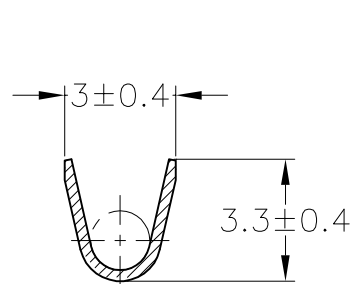
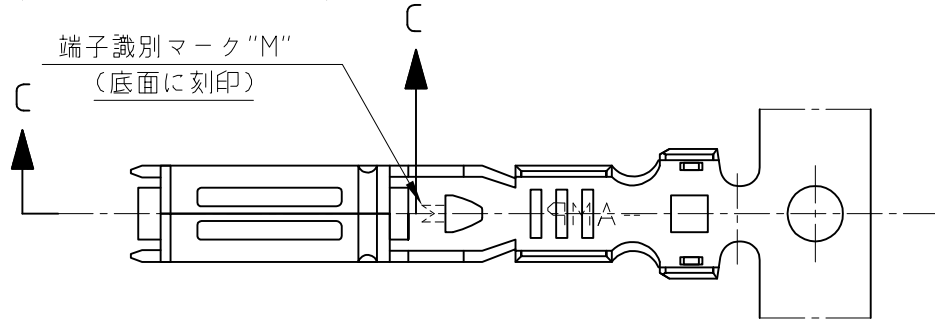
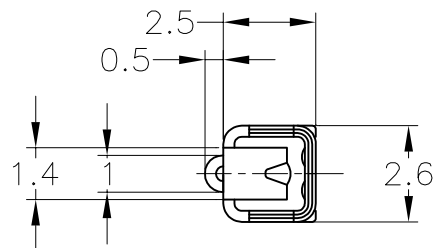


THIS DRAWING IS UNPUBLISHED. RELEASED FOR PUBLICATION
 © COPYRIGHT - By - ALL RIGHTS RESERVED.

LOC	DIST	REVISIONS					
		P	LTR	DESCRIPTION	DATE	DWN	APVD
J	-	F	REVISED	ECR-14-018500	18DEC2014	TS	YF

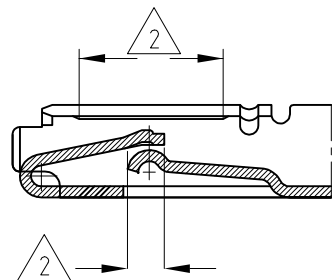
WIRE RANGE ID MARK
 ("M" SIZE MARK)
 (STAMPED ON BOTTOM)

端子識別マーク "M"
 (底面に刻印)

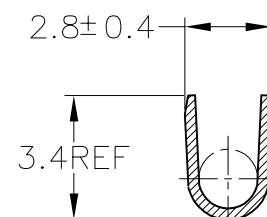
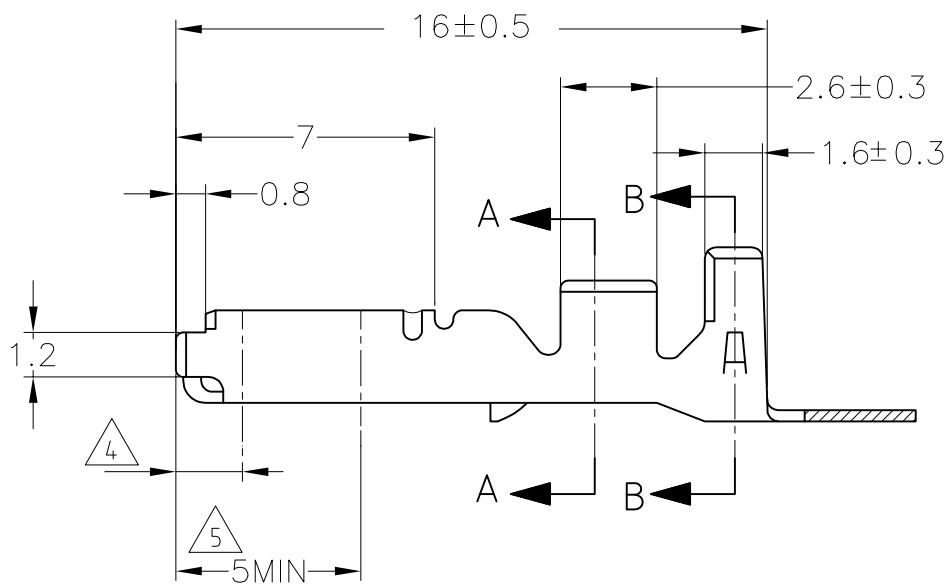


断面 A-A
SECT A-A

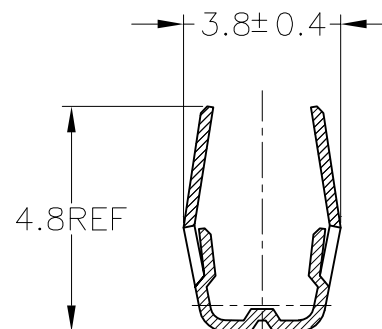
断面 B-B
SECT B-B



断面 C-C
SECT C-C



断面 A-A
SECT A-A
(175027のみ適用)
(ONLY 175027)



断面 B-B
SECT B-B
(175027のみ適用)
(ONLY 175027)

- 1 製品規格 ; 108-5216, 108-5231, 108-5264, 108-3371
- 2 部分金めっき
- 3. 取付適用規格 ; 114-5091
- 4 識別用金めっき (全周)
- 5 部分金めっき (両側のみ)

- 1. SPEC; 108-5216, 108-5231, 108-5264, 108-3371
- 2. SELECTIVE GOLD PLATING
- 3. APPLICATION SPEC; 114-5091
- 4. GOLD PLATING FOR DISCERNMENT (ALL AROUND)
- 5. SELECTIVE GOLD PLATING (ONLY BOTH SIDES OF THE BOX)

TOLERANCE UNLESS OTHERWISE SPECIFIED: 一般公差	
0 < x ≤ 10	±0.2
10 < x ≤ 30	±0.25
30 < x ≤ 100	±0.3
ANGLE	±3°

THIS DRAWING IS A CONTROLLED DOCUMENT.		DWN M.SUGAWARA 12MAY06	 TE Connectivity 070 SERIES RECEPTACLE CONTACT
DIMENSIONS: 単位: 耗 mm		CHK T.SHINOHARA 12MAY06	
TOLERANCES UNLESS OTHERWISE SPECIFIED: 一般公差		APVD K.BETSUI 12MAY06	
MATERIAL 材料		NAME 名称	
SEE TABLE		PRODUCT SPEC 製品規格 SEE NOTE 1	SIZE A3
FINISH 仕上		APPLICATION SPEC 取付適用規格 SEE NOTE 3	
SEE TABLE		WEIGHT -	CAGE CODE 00779
SEE TABLE		DRAWING NO C=173631	
SEE TABLE		RESTRICTED TO -	
SEE TABLE		SCALE 尺度 5:1	
SEE TABLE		SHEET 1 of 1	
SEE TABLE		REV F	

	5 2 部分金めっき SELECTIVE GOLD	黄銅 板厚0.3 BRASS ±0.3	1-173631-2
SEE DRAWING 173631-8			173631-8
175027-7	4 2 部分金めっき SELECTIVE GOLD	リン青銅 板厚0.3 PHOS BRO. ±0.3	173631-7
175027-6	錫めっき済み PRE-TINNED	銅合金 板厚0.3 COPPER ALLOY ±0.3	173631-6
175027-2	4 2 部分金めっき SELECTIVE GOLD	黄銅 板厚0.3 BRASS ±0.3	173631-2
175027-1	錫めっき済み PRE-TINNED	黄銅 板厚0.3 BRASS ±0.3	173631-1
バラ端子型番 L/P NUMBER	仕上 FINISH	材料 MATERIAL	型番 PART NUMBER