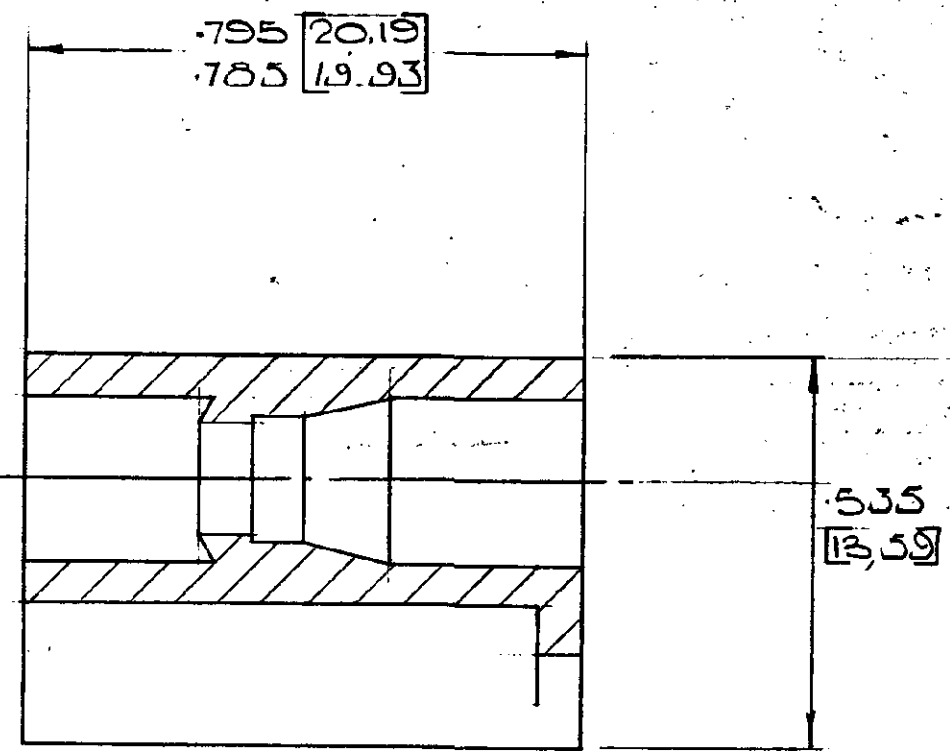
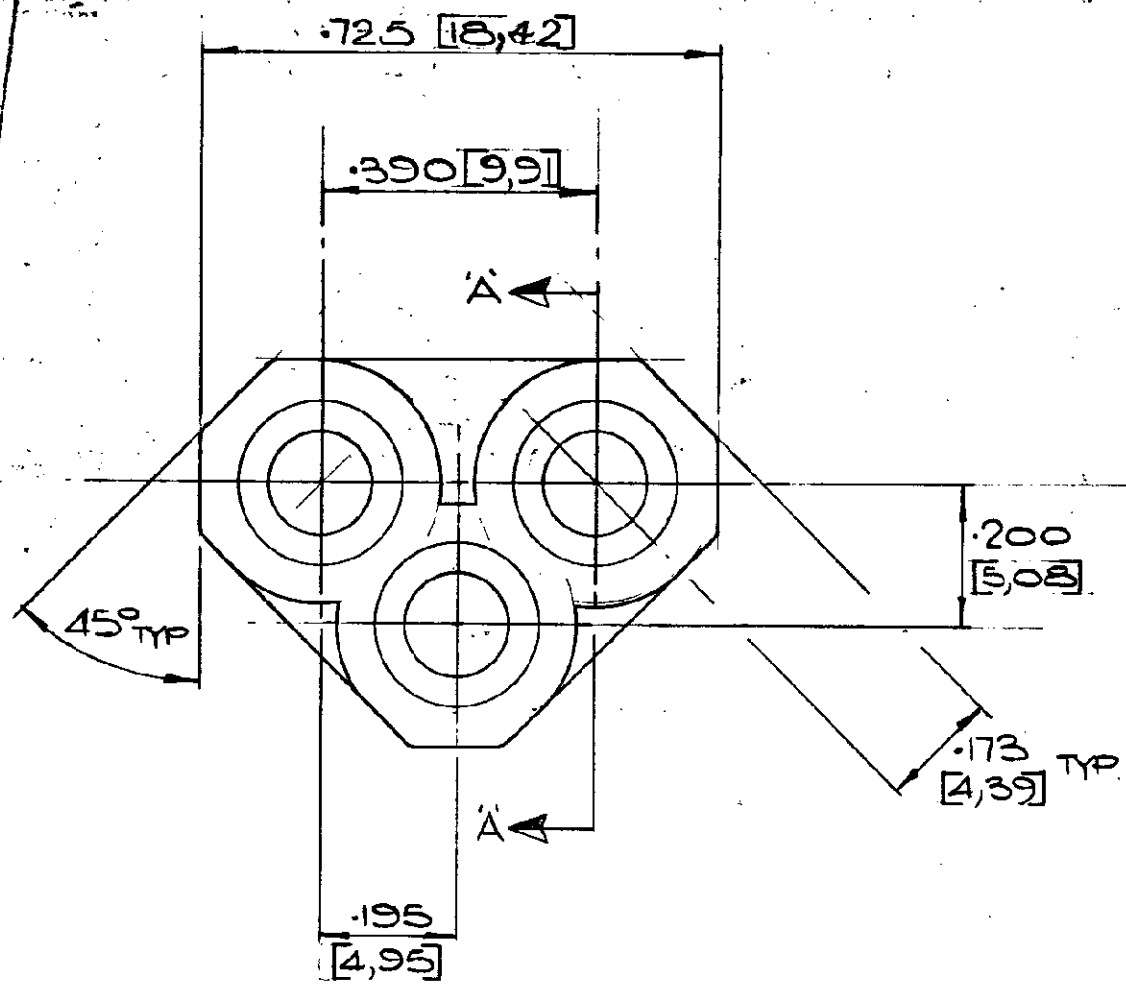


C-154628

ENGINEERING OFFICE MASTER

DIMS THUS E 3 IN MM



SECTION A-A

ENGINEERING OFFICE MASTER

OBSOLETE	154628-2	NATURAL
OBSOLETE	154628-1	BLACK
	PART NO	FINISH

AIRCRAFT MACHINE PRODUCTS (GREAT BRITAIN) LTD. 1978.		CUSTOMER COPY REFERENCE ONLY	
MATERIAL AND FINISH NYLON G-G		ALL OTHER MARKING PROVISIONS GREAT BRITAIN GLASGOW, SCOTLAND	
A	154628-1/-2 OBSOLETE EBCO-0049-57	GCO	3/2/77
O	RELEASED FOR PROD.	Red	3-3-79
LTR	REVISION RECORD	UN	CHK
E. G. COBB	6/12/75	M. Woodward	6/12/75
CHK	6/12/75	Red	6/12/75
TOLERANCE EXCEPT AS NOTED ± .015		SCALE	4-1
NAME		LOC	E B
3-WAY 3MM LANCED SOCKET HSC		NO	C154628
WAS CPT3-13731 2			