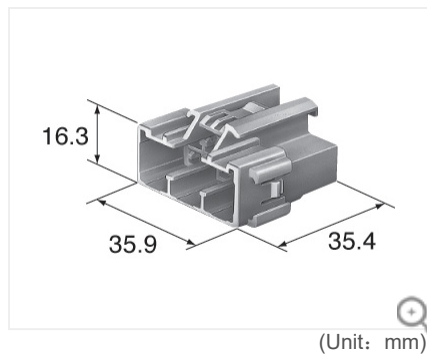


## Product information



[Contact us for products](#)

# 6090-1221

**This is old series**

HM series

Housing Inline Block

2.3mm(090)

Sealed/Unsealed	unsealed
Male/Female	M
Way	14
Mating parts	<u>6090-1064</u> (HM series)

Materials	66 Nylon
Color	Natural

Contact resistance	Initial	3mΩ Max.
	after durability tests	10mΩ Max.
Leak current	3mA Max.	
Insulation resistance	100MΩ Min.	

HM series related products