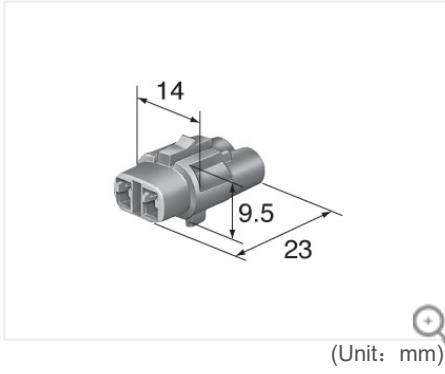


Product information



3D drawings

[Contact us for products](#)

6180-2321

This is old series

MT sealed series

Housing Inline Interlocking type

2.3mm(090)

Sealed/Unsealed	sealed
Male/Female	F
Way	2
Mating parts	<u>6187-2311</u> (MT sealed series)

Materials	PBT
Color	Natural

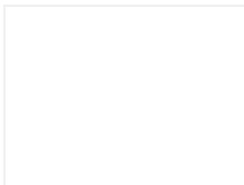
Contact resistance	Initial	3mΩ Max.
	after durability tests	10mΩ Max.
Leak current	100μA Max.	
Insulation resistance	100MΩ Min.	
Seal	Initial	49.0kPa Min.
	after durability tests	29.4kPa Min.

Type	IL Type
------	---------

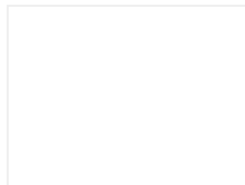
Note	IL Type
------	---------

MT sealed series related products

Terminal (2)

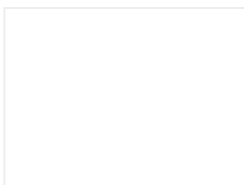


2.3mm 1500-0110



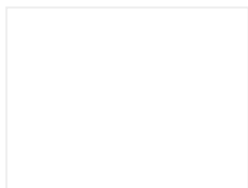
2.3mm 8240-4828

Wire seals (1)



2.3mm 7160-8234

Dummy plugs (1)



2.3mm 7160-9465