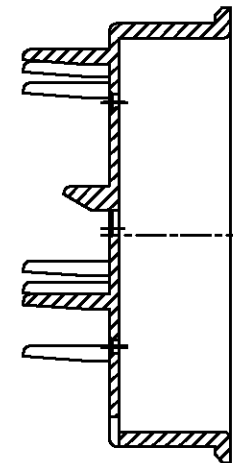
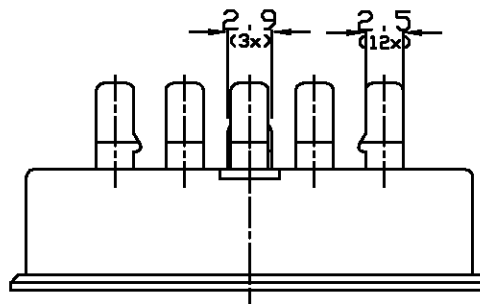
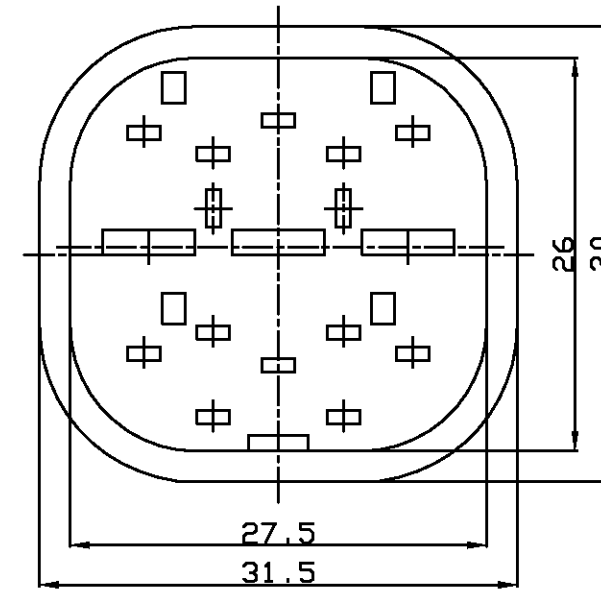
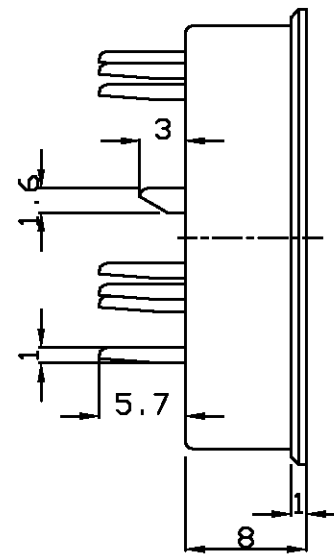
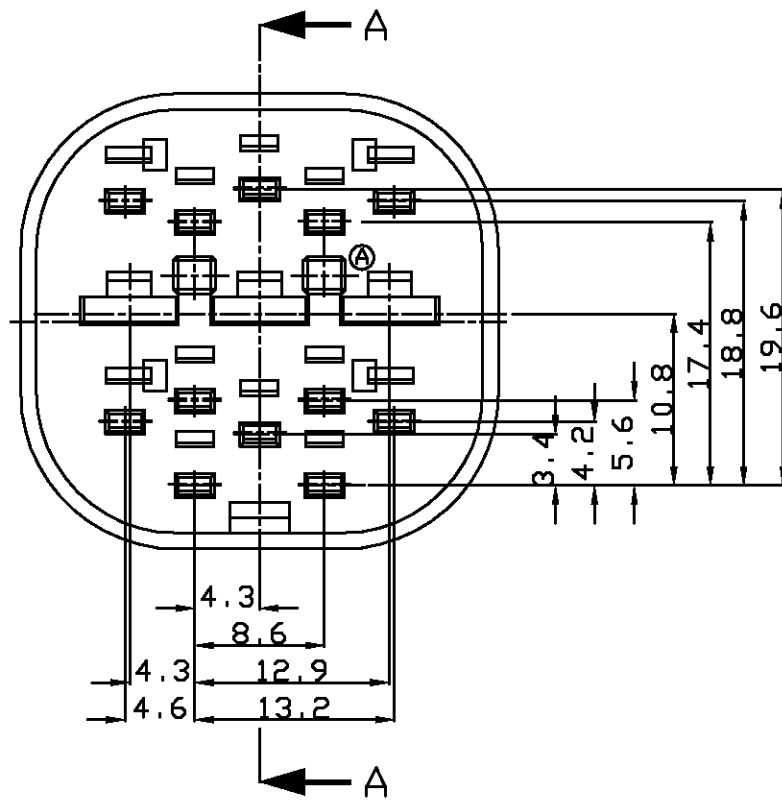


CUSTOMER DRAWING



SECTION A-A

NOTE
1. TO BE MATED WITH CAP HOUSING (P/N: 85264)

YELLOW	85222-1
COLOR	PART NO.

PRINT DIST.

© 1995 AMP MFG KOREA ALL RIGHT RESERVED AMP PRODUCTS COVERED BY PATENTS AND DR PATENTS PENDING					AMP AMP MFG KOREA				
WIRE RANGE ---			INSULATION DIA ---		NAME 070/250 15P DBL PLATE FOR CAP HSG. ECONOSEAL J-MARKII+CONN.				
MATERIAL PBT			FINISH/COLOR SEE TABLE		TOLERANCES 0KXX<10 ±0.2 10KXX<30 ±0.25 30KXX<100±0.3 ANGLES ±3°		SIZE A3	LOC DS	NUMBER 85222
A	REVISED(RD96-402)	JC	JK	'96 12/23	SCALE 2/1		REV A	SHEET 1/1	
□	RELEASED	JC	JK	'95 12/21					
LTR	REVISION RECORD	DR	CHK	DATE					