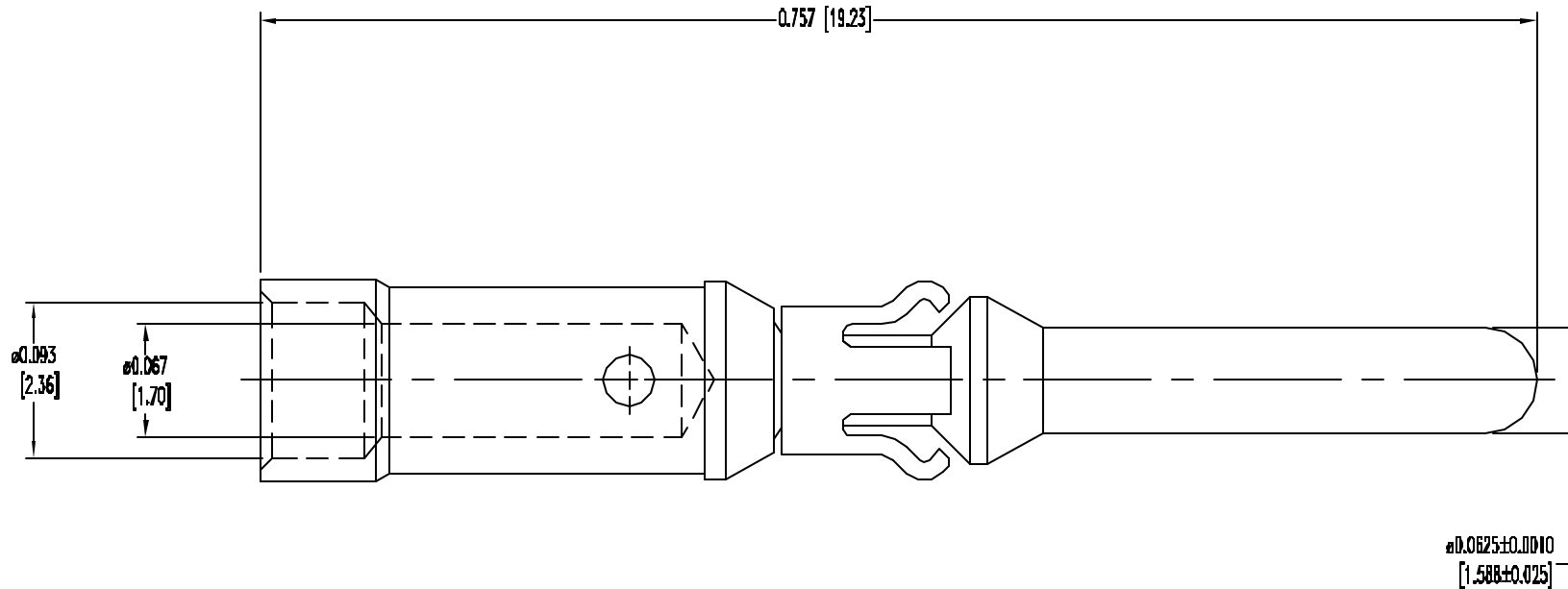


POSITRONIC INDUSTRIES BELIEVES THE DATA ON THIS DRAWING TO BE RELIABLE, SINCE THE TECHNICAL INFORMATION IS GIVEN FREE OF CHARGE, THE USER EMPLOYS SUCH INFORMATION AT HIS OWN DISCRETION AND RISK. POSITRONIC INDUSTRIES ASSUMES NO RESPONSIBILITY FOR RESULTS OBTAINED OR DAMAGES INCURRED FROM USE OF SUCH INFORMATION IN WHOLE OR IN PART.

SK3857

DATE	REV	REVISION RECORDED	APP	DR	CK
7-25-01	NC	ECO 18067		ME	



NOTES:

- MATERIALS AND FINISHES:  
CONTACT: COPPER ALLOY, GOLD FLASH OVER NICKEL.  
SPRING CLIP: BERYLLIUM COPPER, GOLD FLASH.
- DIMENSIONS ARE IN INCHES [MILLIMETERS].



**POSITRONIC INDUSTRIES INC.**  
www.connectpositronic.com



DECIMAL TOL.  
± 0.015 [0.38]

WF # 3015

ANGULAR TOL.  
± 5°

GMCT SERIES, SIZE 16  
WIRE SIZE 18-18 AWG

TITLE  
MC116N

DATE  
7-25-01

DRAWING NUMBER  
SK3857

SCALE  
N.T.S.

DRAWN BY  
M. ENEA

APPROVED BY

REV.  
NC