

THIS DRAWING IS UNPUBLISHED.  
VERTRAULICHE UNVERÖFFENTLICHTE ZEICHNUNG

RELEASED FOR PUBLICATION  
FREI FUER VERÖFFENTLICHUNG  
OCT, 1999.  
ALL RIGHTS RESERVED.  
ALLE RECHTE VORBEHALTEN

LOC  
IR

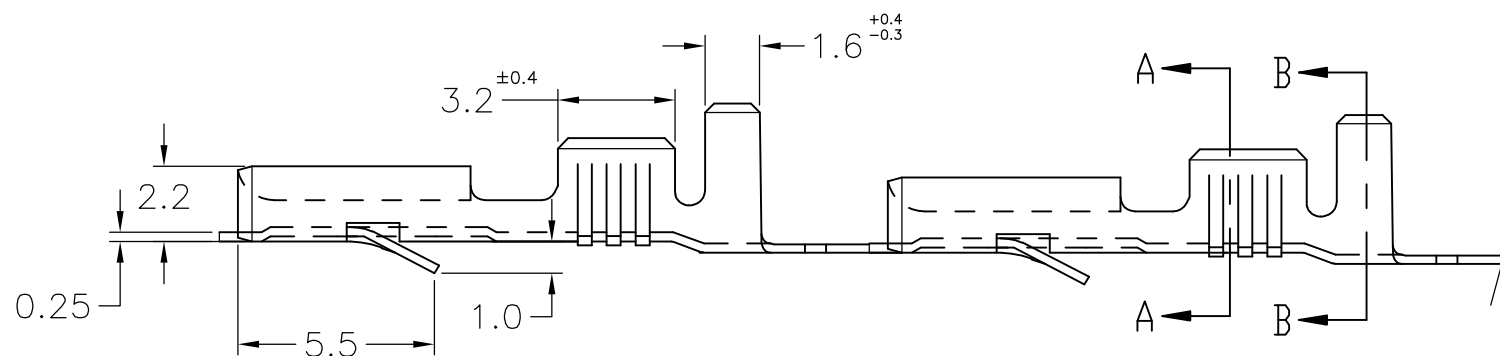
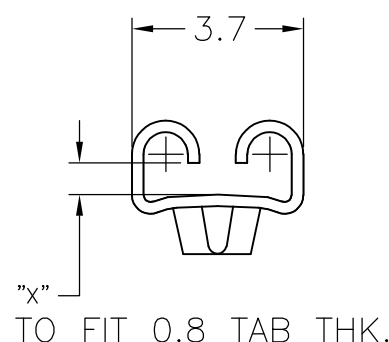
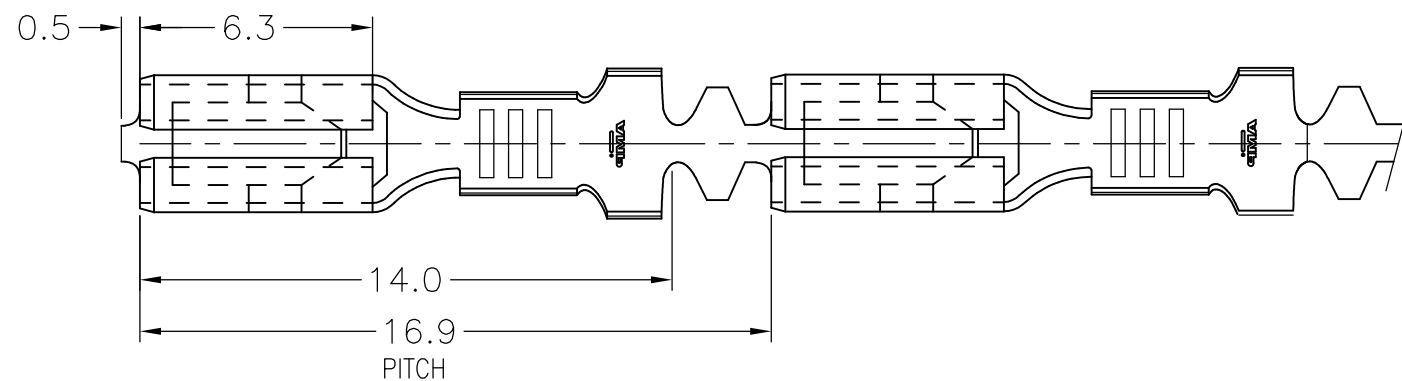
DIST  
—

REVISIONS  
ÄNDERUNGEN  
DESCRIPTION  
BESCHREIBUNG

P LTR  
AG2

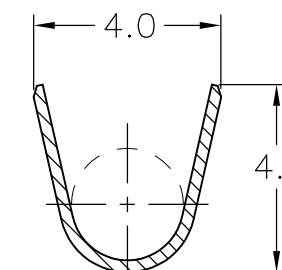
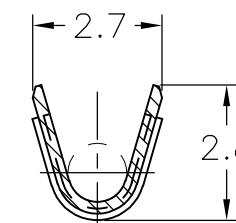
GAP SIZE TOLERANCE CORRECTED

DATE DWN APVD  
22JUL2011 PKS RRP

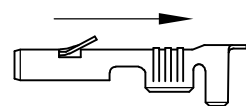


SECTION A-A

SECTION B-B



SUPPLY CONDITION



DIRECTION OFF  
TOP OF REEL

0.74±0.08	PRE-TINNED	BRASS	1-160655-1	AF
0.68±0.08	TIN PLATED	BRASS	160655-6	AF
	SILVER PLATED	BRASS	160655-5	AF
	PRE-TINNED	PH.BRONZE	160655-4	AF
	UNPLATED	PH.BRONZE	160655-3	AF
	PRE-TINNED	BRASS	160655-2	AF
	UNPLATED	BRASS	160655-1	AF
"X"	FINISH/COLOR	MATERIAL	PN	REV

THIS DRAWING IS A CONTROLLED DOCUMENT. DIESE ZEICHNUNG IST EIN KONTROLLIERTES DOKUMENT.		DWN H.YAALI 12 OCT 99	<b>STE</b> TE Connectivity		
DIMENSIONS: MASSE/HEITEN: INCHES		CHK C.TARTARI 12 OCT 99			
TOLERANCES UNLESS OTHERWISE SPECIFIED: ALLGEMEINTOLERANZEN		APVD —	NAME		
0 PLC ± 0.3 1 PLC ± 0.3 2 PLC ± 0.3 3 PLC ± 0.3 4 PLC ± — ANGLES/WINKEL ± 2°		PRODUCT SPEC PRODUKTSPEZ.	FASTIN-FASTON CONNECTOR .110 SRS REC. CONTACT		
MATERIAL SEE TABLE		APPLICATION SPEC VERARBEITUNGSSPEZ.	SIZE A3	CAGE CODE 00779	DRAWING NO ZEICHNUNGS-NR. C-160655
FINISH/OBERFLAECHE/FARBE SEE TABLE		WEIGHT GEWICHT —	RESTRICTED TO NUR FUER —		SCALE MASSSTAB 5
WIRE RANGE 0.5-1.5 mm <sup>2</sup>		CUSTOMER DRAWING/KUNDENZEICHNUNG			SHEET BLATT 1 OF VON 1
INSUL. RANGE 2.0-3.0		REV AG2			