

YESC Kaizen Connector Male Housing



(Unit:mm)

Configuration diagram

Male Connector

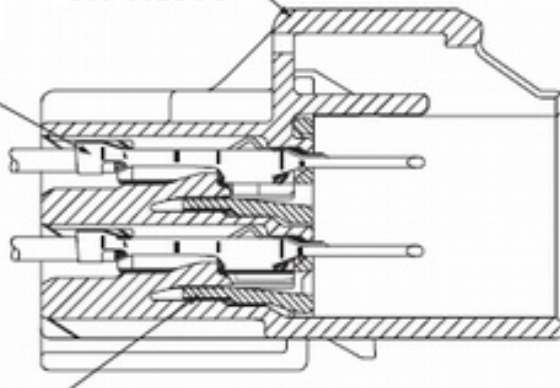
オス コネクタ

Male Terminal

オス ターミナル

Male Housing

オス ハウジング



Male Pre-set Secondary Terminal Lock (TPA)

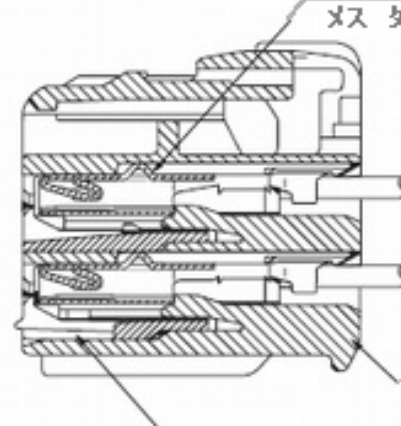
オス側 事前組付け二重係止板

Female Connector

メス コネクタ

Female Terminal

メス ターミナル



Female Pre-set Secondary Terminal Lock (TPA)

メス側 事前組付け二重係止板

Female Housing

メス ハウジング

Specifications

Classified Parts		Housing
Family	* 2	YES/YESC Kaizen Connectors
Type		1.5X0.8
Yazaki Part Number		7282-6444-60
Connection Type		Wire to Wire
Unsealed/Seald		Unsealed
Male/Female		Male
Number of Poles		2
Tab Width mm(inches)		1.5(060)
Material		PBT
Plating		-
Color		Green
Rating		-
Mating Part Numbers		7283-6444-60
Product Specification No.		YPES-11-05-170
Instruction Manual No.		YPES-15-599

Product Specification		
Allowable Current(Ref.)		15A(Ref)
Low Level Contact Resistance		10milli ohm Max.(Initial)
Insulation Resistance		20Megohm Min.(at 500VDC)
Withstanding Voltage		1000V AC (1min.)
Temperature Range	* 9	-40 to 100deg.C

Application List of Installable Components		
Terminals	Wire Seals	Holders
7114-4100-02	-	-
7114-4100-08	-	
7114-4101-02	-	
7114-4101-08	-	