

YES Connector Female Housing



7283-5680-60

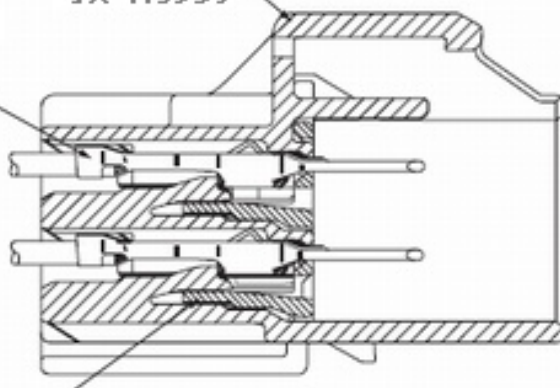
(Unit:mm)

Configuration diagram

Male Connector
オス コネクタ

Male Housing
オス ハウジング

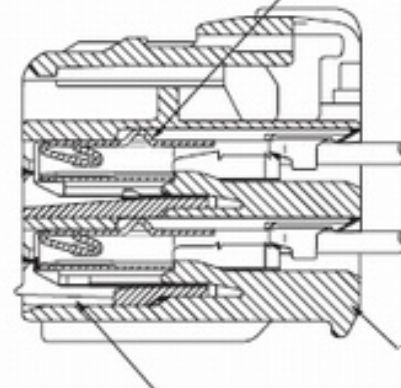
Male Terminal
オス ターミナル



Male Pre-set Secondary Terminal Lock(TPA)
オス側 事前組付け二重係止板

Female Connector
メス コネクタ

Female Terminal
メス ターミナル



Female Housing
メス ハウジング

Female Pre-set Secondary Terminal Lock(TPA)
メス側 事前組付け二重係止板

Specifications

Classified Parts		Housing
Family	* 2	YES/YESC Kaizen Connectors
Type		1.5X0.8
Yazaki Part Number		7283-5680-60
Connection Type		Wire to Wire Wire to Device
Unsealed/Seald		Unsealed
Male/Female		Female
Number of Poles		2
Tab Width mm(inches)		1.5(060)
Material		Heat-resistance Nylon
Plating		-
Color		Green
Rating		-
Mating Part Numbers		7282-5680-60
Product Specification No.		YPES-11-05-105
Instruction Manual No.		YPES-15-239

Product Specification		
Allowable Current(Ref.)		15A(Ref)
Low Level Contact Resistance		10milli ohm Max.(Initial)
Insulation Resistance		20Megohm Min.(at 500VDC)
Withstanding Voltage		1000V AC (1min.)
Temperature Range	* 9	-40 to 100deg.C

Application List of Installable Components		
Terminals	Wire Seals	Holders
7116-4100-02	-	-
7116-4100-08	-	
7116-4101-02	-	
7116-4101-08	-	
7116-4780-02	-	
7116-4781-02	-	