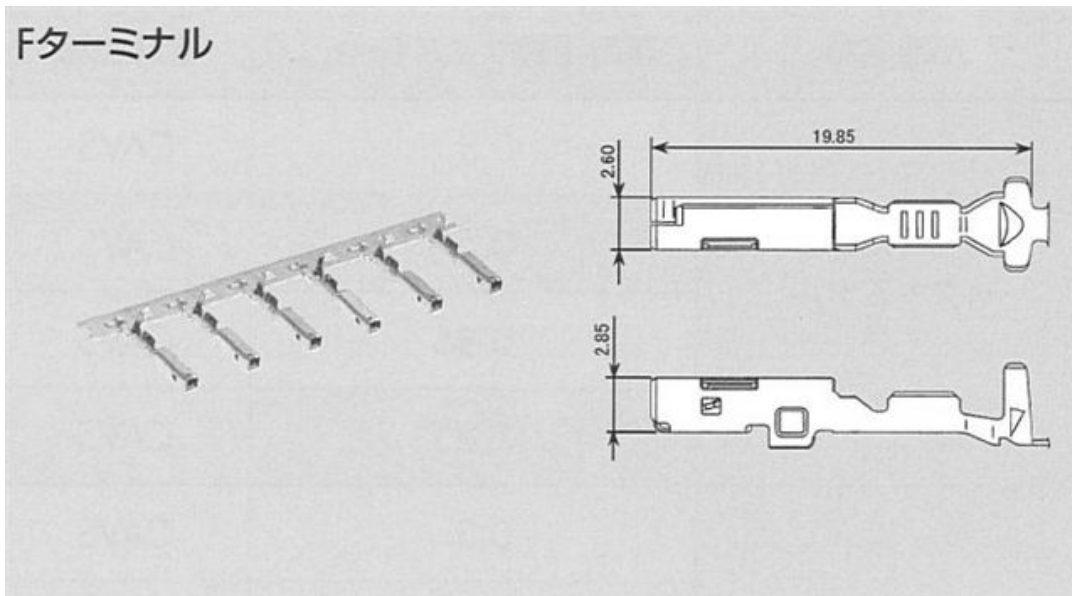


# YES Connector 1.5(060) Female Terminal



(Unit:mm)

# Specifications

Classified Parts		Terminal
Family	* 2	<a href="#">YES/YESC Kaizen Connectors</a>
Type		1.5X0.8
Yazaki Part Number		7116-4103-02
Connection Type		Wire to Wire Wire to Device
Unsealed/Seald		Sealed
Male/Female		Female
Number of Poles		-
Tab Width mm(inches)		1.5(060)
Material		Copper Alloy
Plating		Tin Plating
Color		-
Rating		-
Mating Part Numbers		<a href="#">7114-4103-02</a>
Product Specification No.		YPES-11-04-062
Instruction Manual No.		YPES-15-298

Product Specification	
Allowable Current(Ref.)	Refer to the table of Housing
Low Level Contact Resistance	Refer to the table of Housing
Insulation Resistance	Refer to the table of Housing
Withstanding Voltage	Refer to the table of Housing
Temperature Range	Refer to the table of Housing

Application List of Installable Components		
Wire Type	Wire Size(mm <sup>2</sup> )	Wire Seals
AVS	0.85	<a href="#">7158-3031-90</a>
CAVS	0.85 to 1.25	<a href="#">7158-3004-40_*6</a>
CAVS	0.85 to 1.25	<a href="#">7158-3031-90</a>
CAVS	0.85 to 1.25	<a href="#">7158-3031-90_*7</a>