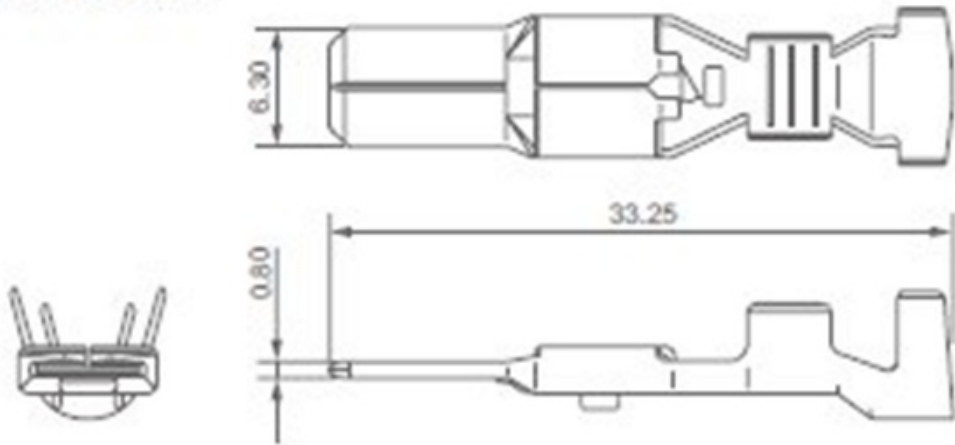


YES Connector 6.3(250) Male Terminal

Male Terminal



Material: Copper Alloy

Thickness: $t=0.4$

(Unit:mm)

Specifications

Classified Parts		Terminal
Family	* 2	YES/YESC Kaizen Connectors
Type		6.3X0.8
Yazaki Part Number		7114-4141-02
Connection Type		Wire to Wire
Unsealed/Seald		Sealed
Male/Female		Male
Number of Poles		-
Tab Width mm(inches)		6.3(250)
Material		Copper Alloy
Plating		Tin Plating
Color		-
Rating		-
Mating Part Numbers		7116-4141-02
Product Specification No.		YPES-11-04-062
Instruction Manual No.		YPES-15-300

Product Specification	
Allowable Current(Ref.)	Refer to the table of Housing
Low Level Contact Resistance	Refer to the table of Housing
Insulation Resistance	Refer to the table of Housing
Withstanding Voltage	Refer to the table of Housing
Temperature Range	Refer to the table of Housing

Application List of Installable Components		
Wire Type	Wire Size(mm ²)	Wire Seals
-	2.5	7158-3082-90