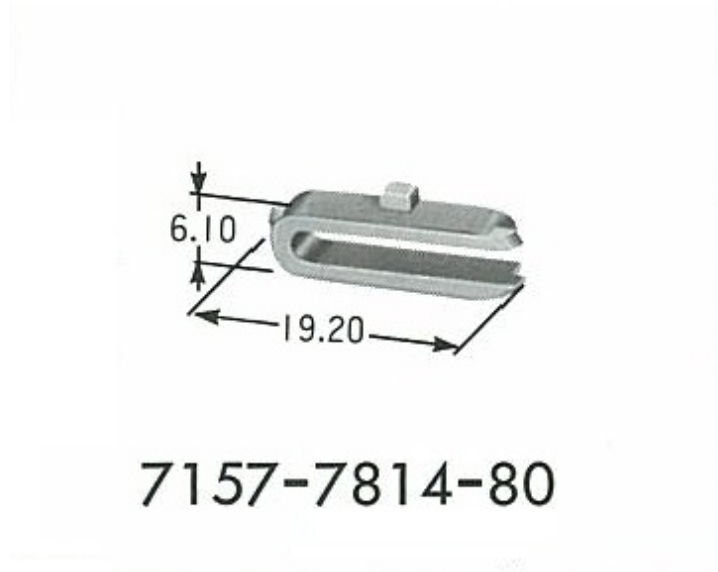


# SWP Connectors Others 3P



(Unit:mm)

# Specifications

Classified Parts		Others
Family	* 2	<a href="#">SWP Connectors</a>
Type		-
Yazaki Part Number		7157-7814-80
Connection Type		Wire to Wire
Unsealed/Seald		Sealed
Male/Female		Both
Number of Poles		3
Tab Width mm(inches)		1.8(070)
Material		PBT
Plating		-
Color		Brown
Rating		-
Mating Part Numbers		-
Product Specification No.		YPES-11-04-012
Instruction Manual No.		YPES-15-029

Product Specification	
Allowable Current(Ref.)	Refer to the table of Housing
Low Level Contact Resistance	Refer to the table of Housing
Insulation Resistance	Refer to the table of Housing
Withstanding Voltage	Refer to the table of Housing
Temperature Range	Refer to the table of Housing

Application List of Installable Components		
Housings/Connectors	-	-
<a href="#">7123-7434-40</a>	-	-
<a href="#">7222-7434-40</a>	-	-