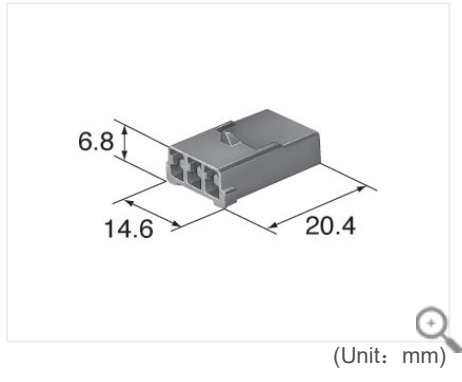


Product information



3D drawings

[Contact us for products](#)

6242-5031

This is old series

MT series

Housing Inline Semi-locking type

2.3mm(090)

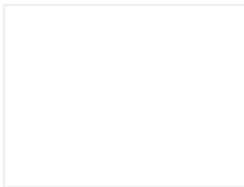
Sealed/Unsealed	unsealed
Male/Female	F
Way	3
Mating parts	<u>6242-1031</u> (MT series)

Materials	66 Nylon
Color	Natural

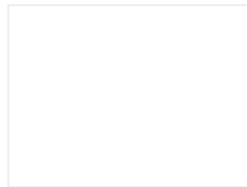
Contact resistance	Initial 3mΩ Max. after durability tests 10mΩ Max.
Leak current	3mA Max.
Insulation resistance	100MΩ Min.

MT series related products

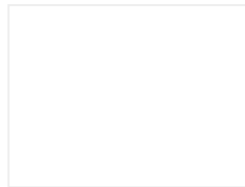
Terminal (4)



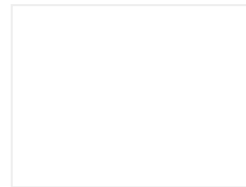
2.3mm 8240-4412



2.3mm 8240-4422



2.3mm 8240-4652



2.3mm 8240-4849